

4" EXT POLES

APRT4

APRS4

APFS4

PHILADELPHIA 14

AP9202

AP9203

AP9204

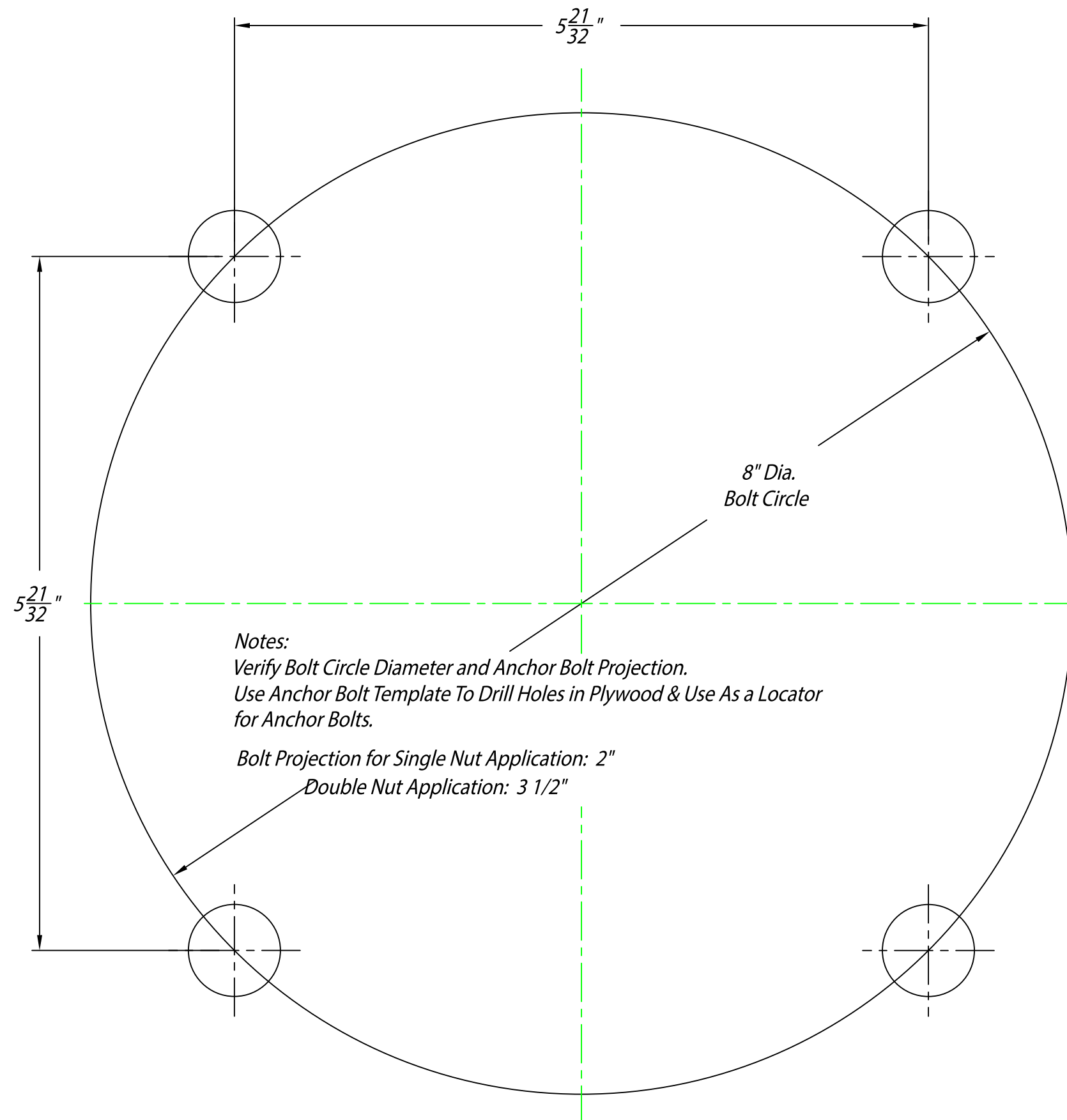
AP9205

AUSTIN

AP2602

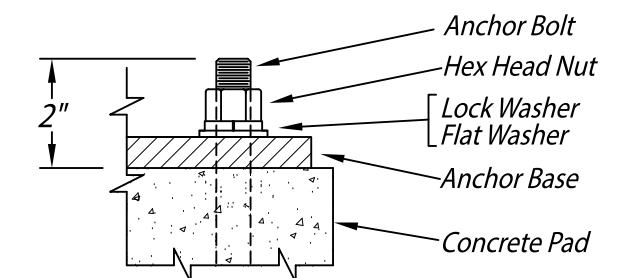
AP2603

AP2604

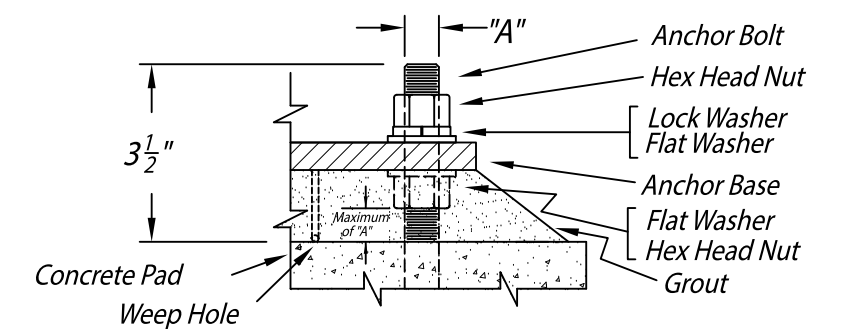


PLEASE VERIFY MEASUREMENTS AFTER PRINTING.

Bolt Projection for Single Nut Application: 2"



Bolt Projection for Double Nut Application: 3 1/2"



(Ref. Hapco Dwg A13902)

Note:  
Maximum Dimension Between Bottom of Leveling Nut and Top of Concrete Pad Is One Anchor Bolt Dia.