



**LIN2.5DI AND LIN2.5D LED PENDANT**

CABLE MOUNTED INDIVIDUAL FIXTURES OR CONTINUOUSLY ROW MOUNTED

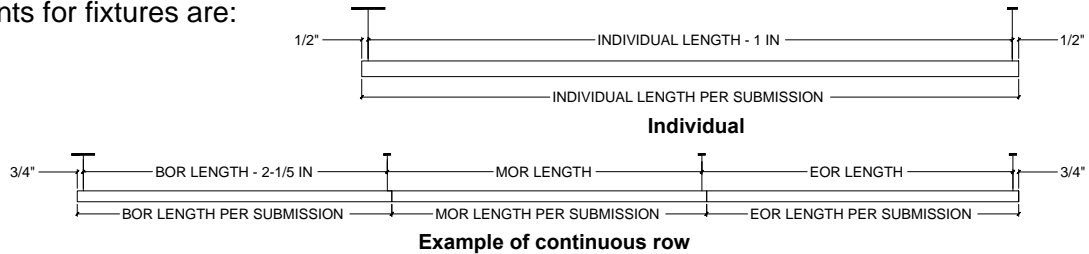
WARNING - RISK OF FIRE AND ELECTRICAL SHOCK. FIXTURE MUST BE INSTALLED BY A QUALIFIED ELECTRICIAN ONLY. FIXTURE IS INTENDED FOR INSTALLATION IN ACCORDANCE WITH THE NATIONAL ELECTRICAL CODE, LOCAL AND FEDERAL SPECIFICATIONS. DISCONNECT POWER AT ELECTRICAL PANEL BEFORE SERVICING .  
RETAIN THESE INSTRUCTIONS FOR MAINTENANCE REFERENCE.

**Pre-installation Note:**

Supplied by others: - 4" octagonal junction boxes

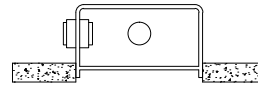
Supplied by Amerlux: - canopies  
- suspension cable

Suspension points for fixtures are:

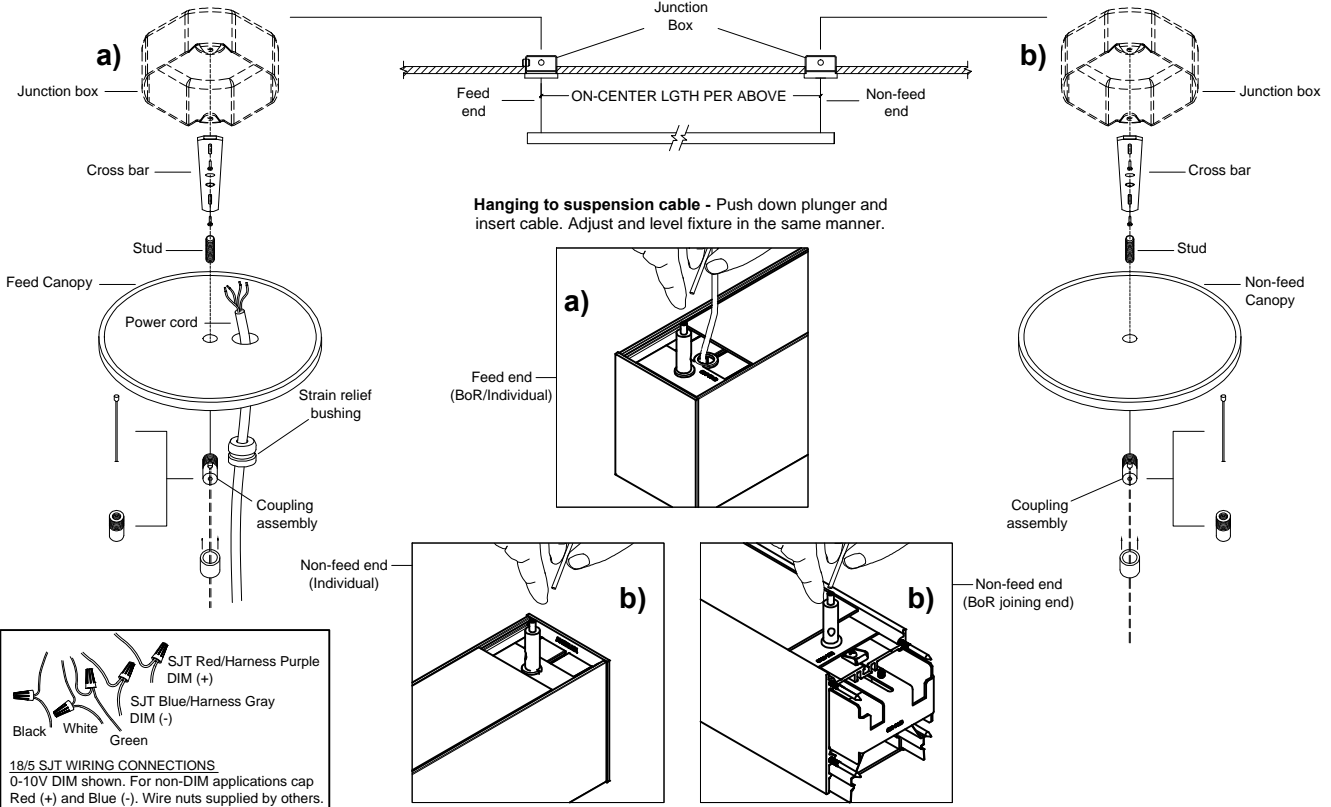


**Refer to general contractor/ electrician layout** for proper location of mounting points/ locations for junction boxes.

**1. Install junction box(es)** - The junction box should be regressed as shown to make sure that the canopy cover sits flush with the ceiling when install is finished.

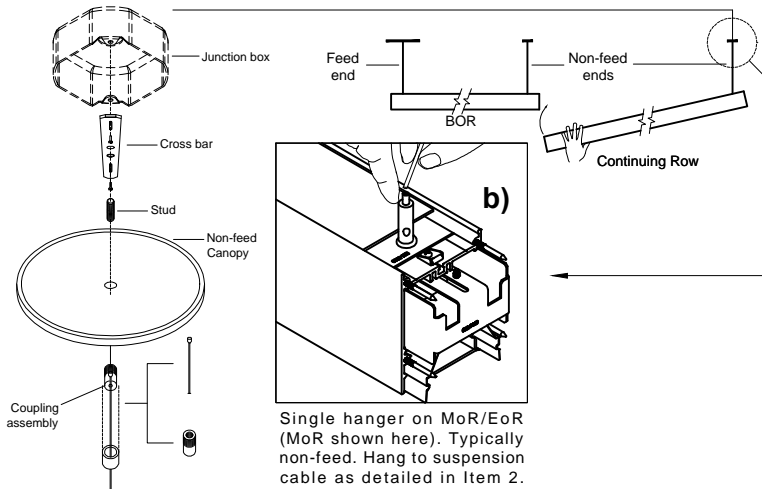


**2. Individual and Beginning of Run (BoR) Install:**

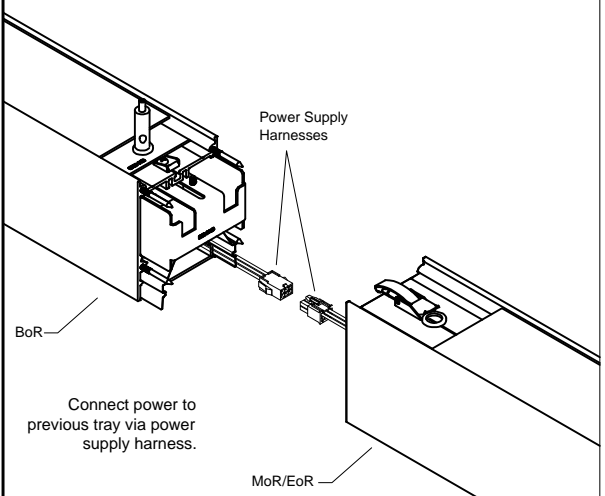




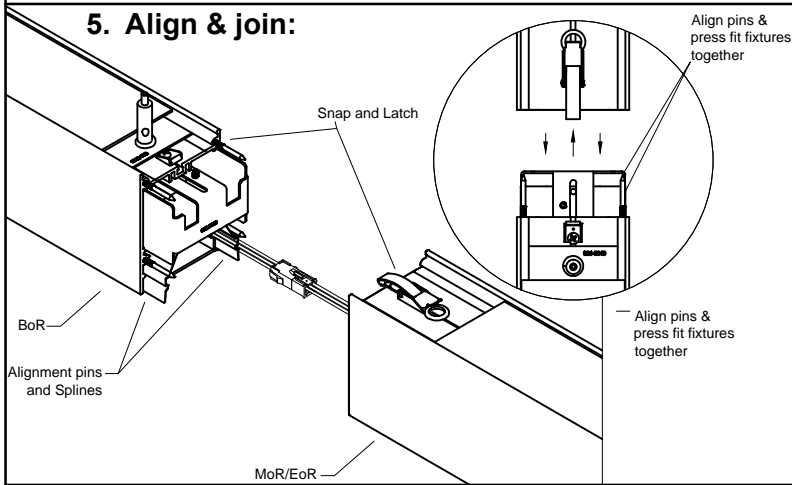
### 3. Hang MoR/EoR:



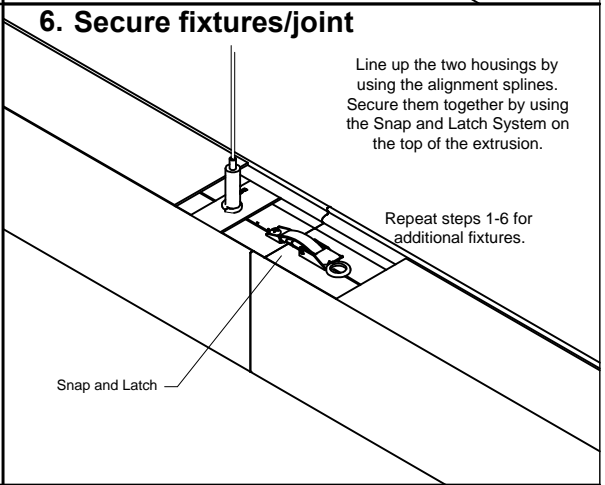
### 4. Connect power:



### 5. Align & join:



### 6. Secure fixtures/joint



### 7. Reflector/Wall Wash Module removal (only required to access driver)

**WARNING:** Electrostatic and polarity sensitive device. Use caution while handling and wiring.

#### 1.) LED Fixture:

Consult Amerlux for LED maintenance.

#### 2.) LED Replacement:

For LED board replacement reference 689-0500 Instruction Sheet

#### 3.) Reflector Removal:

Reflector is located beneath snap-in lens, secured by (2) tabs on both sides. Locate the tabs holding the reflector in place and gently pry the tabs away from the groove slightly, as to not bend completely out of shape. This can be done with the help of a flat head screw driver.

Once you have pried one side out of the groove the reflector should easily come out of the housing, if not, lightly pull **towards you** on the side you have un-clipped and this will allow reflector to gently come out.

To reinstall locate groove that previously held tab in place and tilt reflector into place on one side, once in the correct position, gently re-clip opposite side into groove, requires minimal pressure.

#### 4.) Driver maintenance:

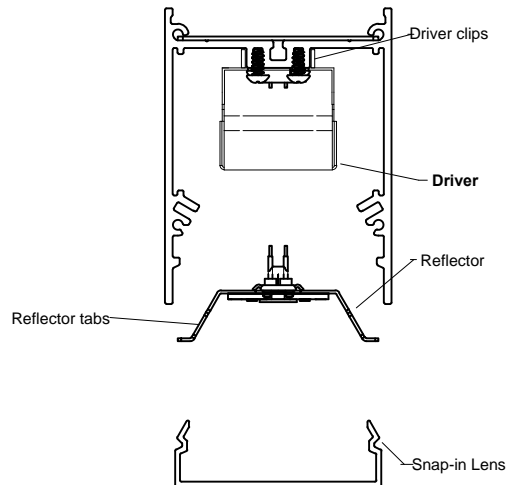
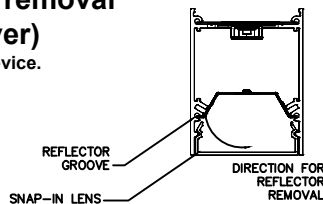
Drivers are located beneath bottom reflectors, secured by (2) clips 628-0197.

Remove 1 clip and loosen other to remove driver

For driver replacement, please specify:

Manufacturer, Model No. and Current Setting (  mA).

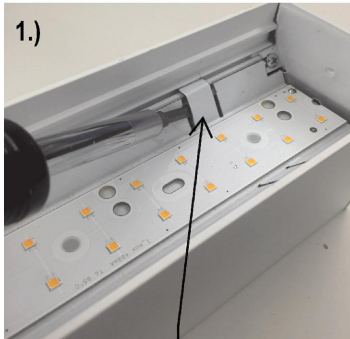
See 710-0134 Wiring Schematic for more details.



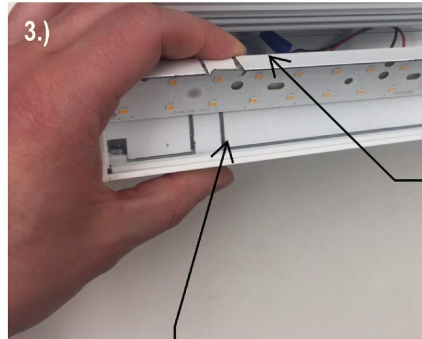
**MAKE SURE TO DISCONNECT ALL ELECTRICAL CONNECTIONS BEFORE RELAMPING.**

Amerlux, LLC. - 178 Bauer Drive, Oakland NJ 07436 - T: 973-882-5010 - F: 973-882-2605

www.amerlux.com

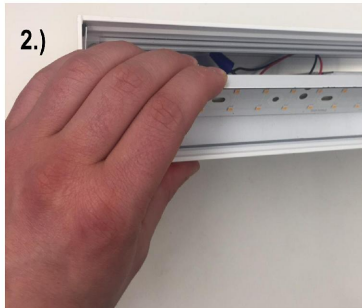


1.) USE FLATHEAD TO GENTLY PRY TAB . UNDO BOTH TABS ON SAME SIDE FIRST .



3.) LOCATE GROOVE TO REINSTALL REFLECTOR

PUSH OPPOSITE SIDE BACK INTO PLACE AND SECURE REFLECTOR



2.)



4.)

1.) REFLECTOR IS LOCATED BENEATH SNAP-IN LENS, SECURED BY (2) CLIPS ON BOTH SIDES. LOCATE THE CLIPS HOLDING THE REFLECTOR IN PLACE AND GENTLY PRY THE CLIPS AWAY FROM THE GROOVE SLIGHTLY, AS TO NOT BEND COMPLETELY OUT OF SHAPE. THIS CAN BE DONE WITH THE HELP OF A FLAT HEAD SCREW DRIVER.

2.) ONCE YOU HAVE PRIED ONE SIDE OUT OF THE GROOVE THE REFLECTOR SHOULD EASILY COME OUT OF THE HOUSING. IF NOT, LIGHTLY PULL TOWARDS YOU ON THE SIDE YOU HAVE UN-CLIPED AND THIS WILL ALLOW REFLECTOR TO GENTLY COME OUT.

3.) TO REINSTALL LOCATE GROOVE THAT PREVIOUSLY HELD CLIP IN PLACE AND TILT REFLECTOR INTO PLACE ON ONE SIDE

4.) ONCE IN THE CORRECT POSITION, GENTLY RE-CLIP OPPOSITE SIDE INTO GROOVE, REQUIRES MINIMAL PRESSURE.

**MAKE SURE TO DISCONNECT ALL ELECTRICAL CONNECTIONS BEFORE RELAMPING .**

Amerlux, LLC. - 178 Bauer Drive, Oakland NJ 07436 - T: 973-882-5010 - F: 973-882-2605  
www.amerlux.com