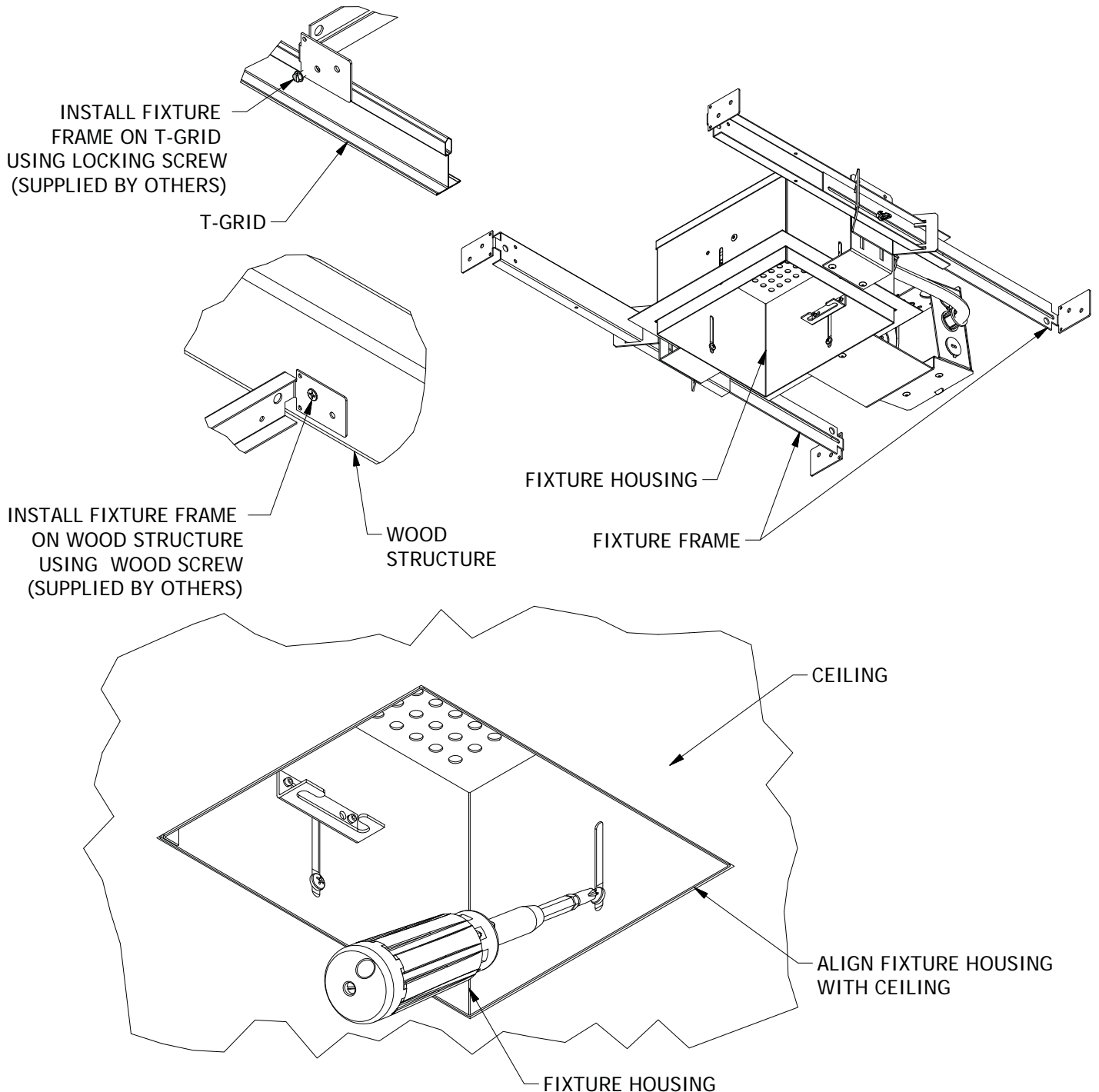


WARNING - RISK OF FIRE AND ELECTRICAL SHOCK. FIXTURE MUST BE INSTALLED BY A QUALIFIED ELECTRICIAN ONLY. FIXTURE IS INTENDED FOR INSTALLATION IN ACCORDANCE WITH THE NATIONAL ELECTRICAL CODE, LOCAL AND FEDERAL SPECIFICATIONS. DISCONNECT POWER AT ELECTRICAL PANEL BEFORE SERVICING.

RETAIN THESE INSTRUCTIONS FOR MAINTENANCE REFERENCE.



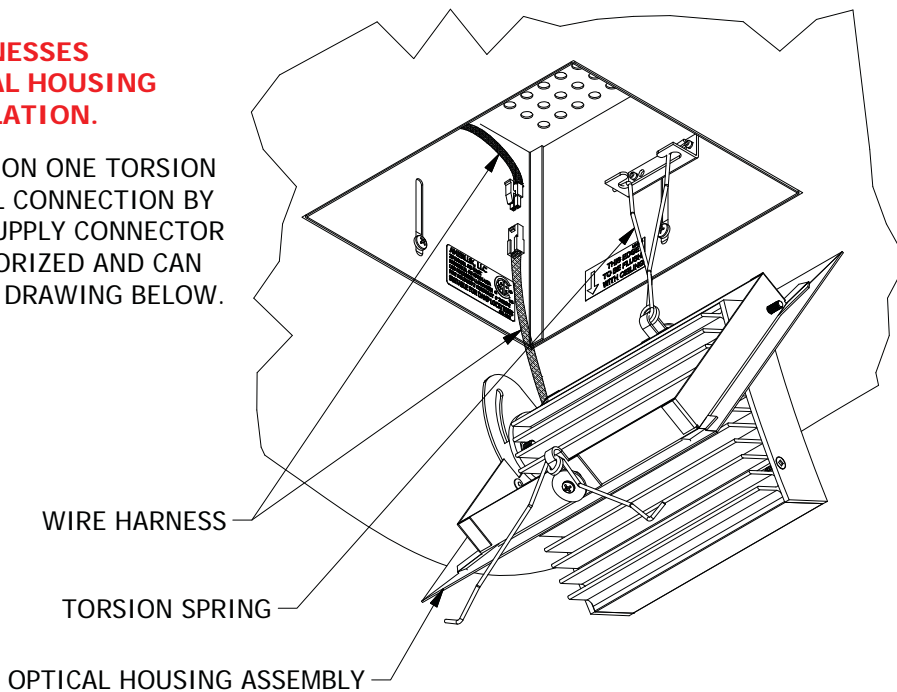
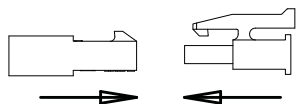
WARNING - RISK OF FIRE AND ELECTRICAL SHOCK. FIXTURE MUST BE INSTALLED BY A QUALIFIED ELECTRICIAN ONLY. FIXTURE IS INTENDED FOR INSTALLATION IN ACCORDANCE WITH THE NATIONAL ELECTRICAL CODE, LOCAL AND FEDERAL SPECIFICATIONS. DISCONNECT POWER AT ELECTRICAL PANEL BEFORE SERVICING.

RETAIN THESE INSTRUCTIONS FOR MAINTENANCE REFERENCE.

DISCONNECT POWER TO FIXTURE BEFORE CONNECTING OPTICAL HOUSING WIRE HARNESS

DO NOT ALLOW WIRE HARNESSES TO SUPPORT WEIGHT OF OPTICAL HOUSING ASSEMBLY DURING INSTALLATION.

AFTER HANGING THE TRIM ASSEMBLY ON ONE TORSION SPRING AS SHOWN, MAKE ELECTRICAL CONNECTION BY JOINING MALE AND FEMALE POWER SUPPLY CONNECTOR HARNESSES. CONNECTORS ARE POLORIZED AND CAN ONLY BE CONNECTED ONE WAY. SEE DRAWING BELOW.



AFTER POWER SUPPLY HARNESSES ARE CONNECTED, INSTALL SECOND TORSION SPRING AND PUSH TRIM UP TO BE FLUSH WITH CEILING

