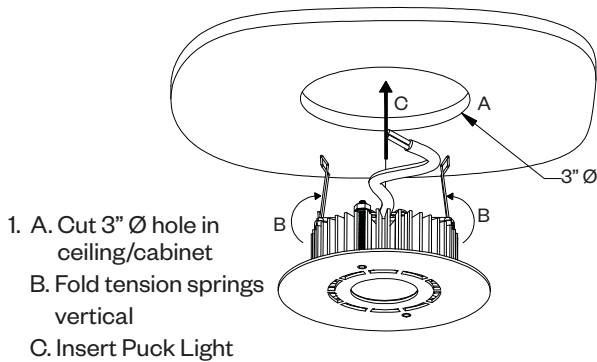
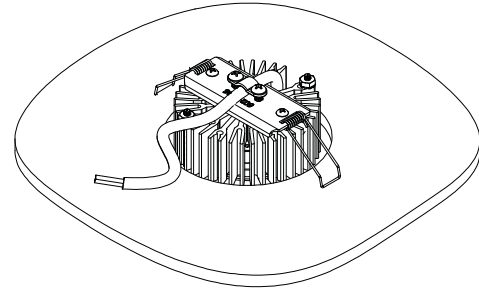


WARNING: RISK OF FIRE AND ELECTRICAL SHOCK. FIXTURE MUST BE INSTALLED BY A QUALIFIED ELECTRICIAN ONLY. FIXTURE IS INTENDED FOR INSTALLATION IN ACCORDANCE WITH THE NATIONAL ELECTRICAL CODE, LOCAL AND FEDERAL SPECIFICATIONS. DISCONNECT POWER AT ELECTRICAL PANEL BEFORE SERVICING. RETAIN THESE INSTRUCTIONS FOR MAINTENANCE REFERENCE.

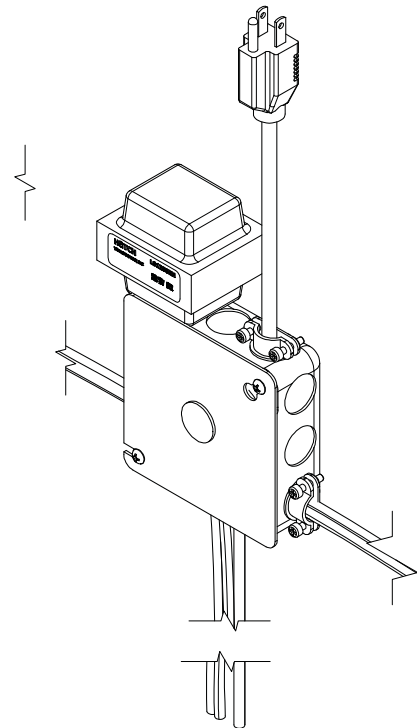
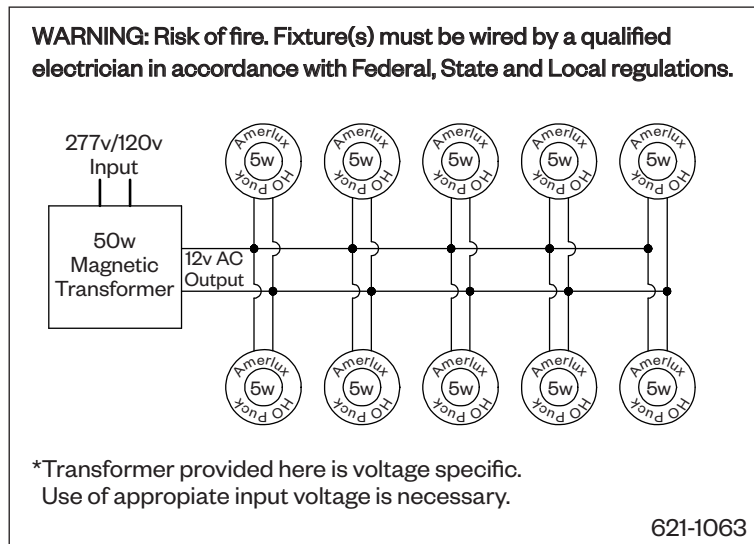


1. A. Cut 3" Ø hole in ceiling/cabinet
- B. Fold tension springs vertical
- C. Insert Puck Light



2. Let tension springs release to hold fixture in ceiling.

3. Connect fixture into wire grid, or individually to transformer. (See wiring diagram below)



Typical Power Supply/Transformer