

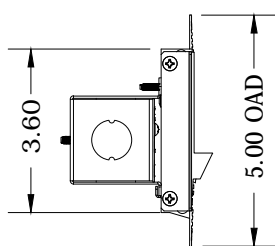
WARNING - RISK OF FIRE AND ELECTRICAL SHOCK. FIXTURE MUST BE INSTALLED BY A QUALIFIED ELECTRICIAN ONLY. FIXTURE IS INTENDED FOR INSTALLATION IN ACCORDANCE WITH THE NATIONAL ELECTRICAL CODE, LOCAL AND FEDERAL SPECIFICATIONS. DISCONNECT POWER AT ELECTRICAL PANEL BEFORE SERVICING.

RETAIN THESE INSTRUCTIONS FOR MAINTENANCE REFERENCE.

Pre-Installation Notes:

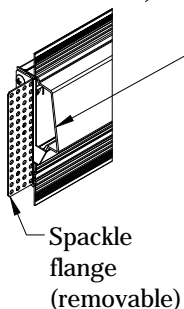
- Reflector boxed separately from housing.
- Mounting hardware (Flat Head Screws) supplied by others.
- Fixture designed for 5/8" gypsum board only.

1. Cut slot in wall for fixture.

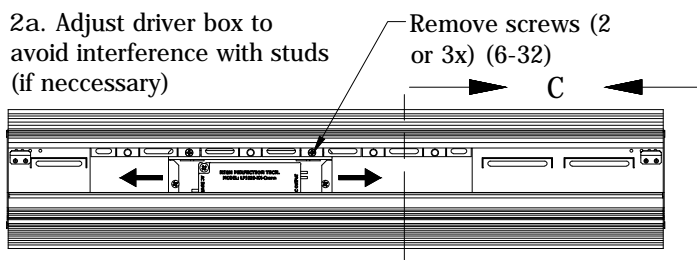


Cut slot in wall no bigger than 3 3/4" X length of fixture (for Ind.), 3 3/4" X length + 1" (for Runs) (maintain level cut)

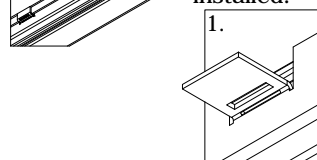
2. Remove dust cover (DO NOT DISCARD)



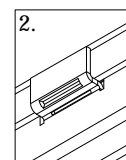
2a. Adjust driver box to avoid interference with studs (if necessary)



Locate tabs on back of mounting tray. Bend out appropriate tabs to catch driver box. Bend tabs back tightly once box is installed.



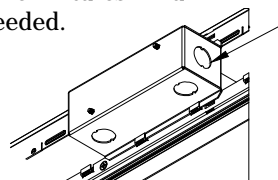
1. Bend tab out, insert driver box.



2. Bend tab back around driver box.

3. Connect power to driver.

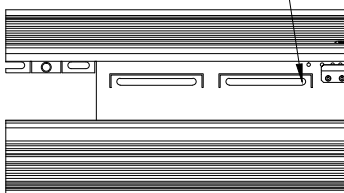
3a. Daisy-chain power to other fixtures in run if needed.



DETAIL B

WIRING CONNECTIONS
0-10V DIM shown. For non-DIM applications cap Purple (+) and Gray (-). Wire nuts supplied by others.

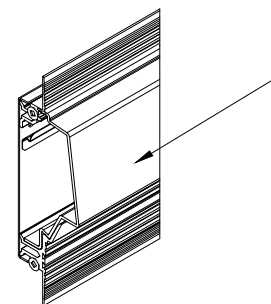
4. Mount fixture to studs with flat head screws (by others) using allotted screw slots.



DETAIL C

Note: It is installing contractor's responsibility to install straight and true.

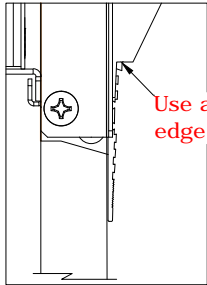
5. Re-Install dust cover



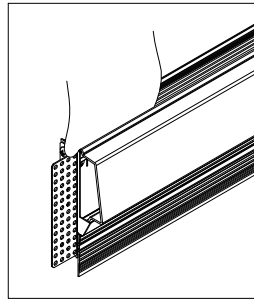
Fino Installation Sheet

WARNING - RISK OF FIRE AND ELECTRICAL SHOCK. FIXTURE MUST BE INSTALLED BY A QUALIFIED ELECTRICIAN ONLY. FIXTURE IS INTENDED FOR INSTALLATION IN ACCORDANCE WITH THE NATIONAL ELECTRICAL CODE, LOCAL AND FEDERAL SPECIFICATIONS. DISCONNECT POWER AT ELECTRICAL PANEL BEFORE SERVICING. RETAIN THESE INSTRUCTIONS FOR MAINTENANCE REFERENCE.

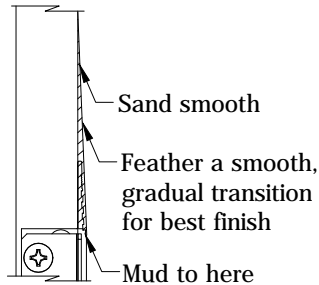
5a. Mud fixture top, bottom and ends.



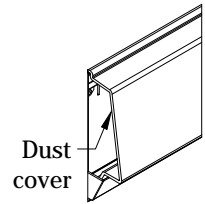
Use as straight edge for mudding



Leave clean sharp edge

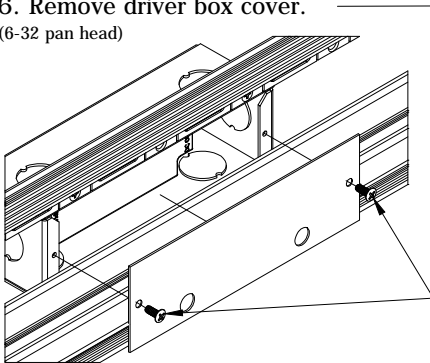


5b. Remove Dust Cover (Only once wall is painted, and edges are clean)

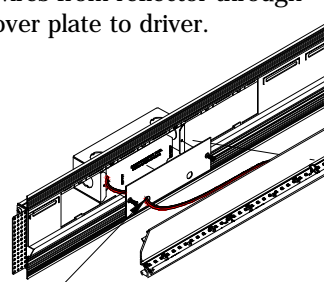


Dust cover

6. Remove driver box cover. (6-32 pan head)



7. Run wires from reflector through driver cover plate to driver.

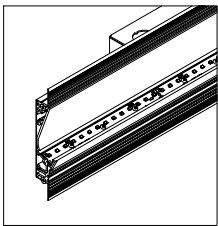


7a. Connect reflector LED wire to driver RED "+" AND BLACK "-" (wire nuts supplied by others).
7b. Replace cover. Note orientation of plate: wires exit at bottom.

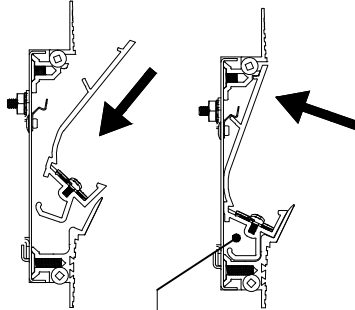
8. Place reflector into housing.

Note: dress wires to avoid trapping them during installation.

Snap into place.

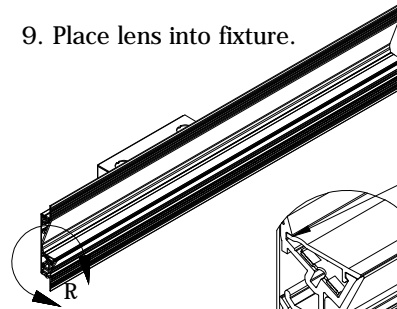


Rotate then push to snap in.



WIRES TO BE LOCATED IN THIS AREA

9. Place lens into fixture.



Place lens in at angle

Snap into place



DETAIL R

WARNING - RISK OF FIRE AND ELECTRICAL SHOCK. FIXTURE MUST BE INSTALLED BY A QUALIFIED ELECTRICIAN ONLY. FIXTURE IS INTENDED FOR INSTALLATION IN ACCORDANCE WITH THE NATIONAL ELECTRICAL CODE, LOCAL AND FEDERAL SPECIFICATIONS. DISCONNECT POWER AT ELECTRICAL PANEL BEFORE SERVICING.

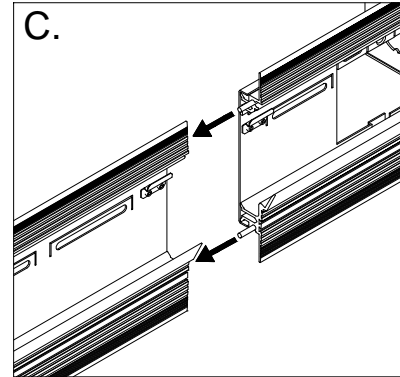
RETAIN THESE INSTRUCTIONS FOR MAINTENANCE REFERENCE.

For Runs

A. Cut hole in wall 1" longer than total run length, to allow room to install.

B. Mount first fixture in run following steps 1-4 on page 1

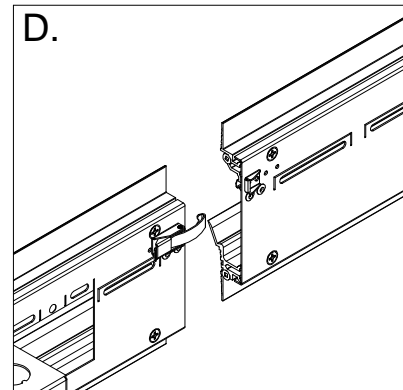
C. To mount consecutive fixtures position driver box and connect, then locate pins (shown at right) and slide them into the other fixture.



D. Secure catch and latch, unless fixture seam falls on a stud. If this is the case remove catch and latch.

Continue from step 3 on Page 1.

E. Make sure to fill / mud 1" gap in end of run when installation of run is complete.



DRIVER BOX DIMENSION INFO

