

WARNING: RISK OF FIRE AND ELECTRICAL SHOCK. FIXTURE MUST BE INSTALLED BY A QUALIFIED ELECTRICIAN ONLY. FIXTURE IS INTENDED FOR INSTALLATION IN ACCORDANCE WITH THE NATIONAL ELECTRICAL CODE, LOCAL AND FEDERAL SPECIFICATIONS. DISCONNECT POWER AT ELECTRICAL PANEL BEFORE SERVICING.

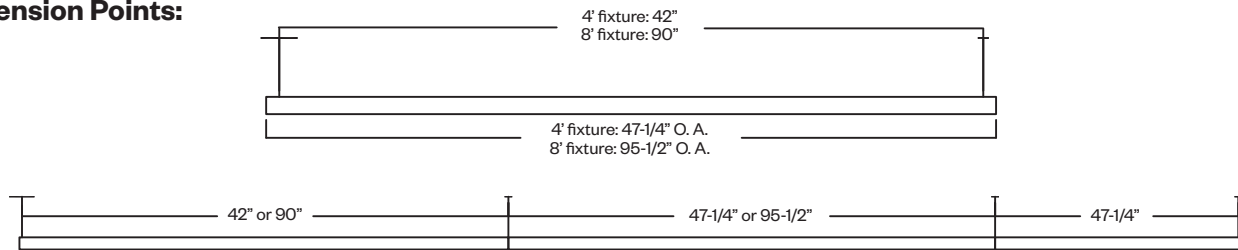
RETAIN THESE INSTRUCTIONS FOR MAINTENANCE REFERENCE.

Pre-installation Note:

Supplied by others: - 4" octagonal junction box
- lamps

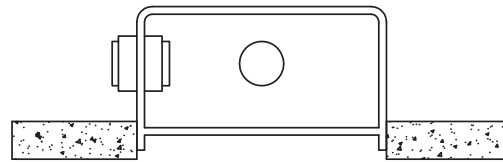
Supplied by Amerlux: - canopies
- suspension cable
- EM battery pack label

Suspension Points:

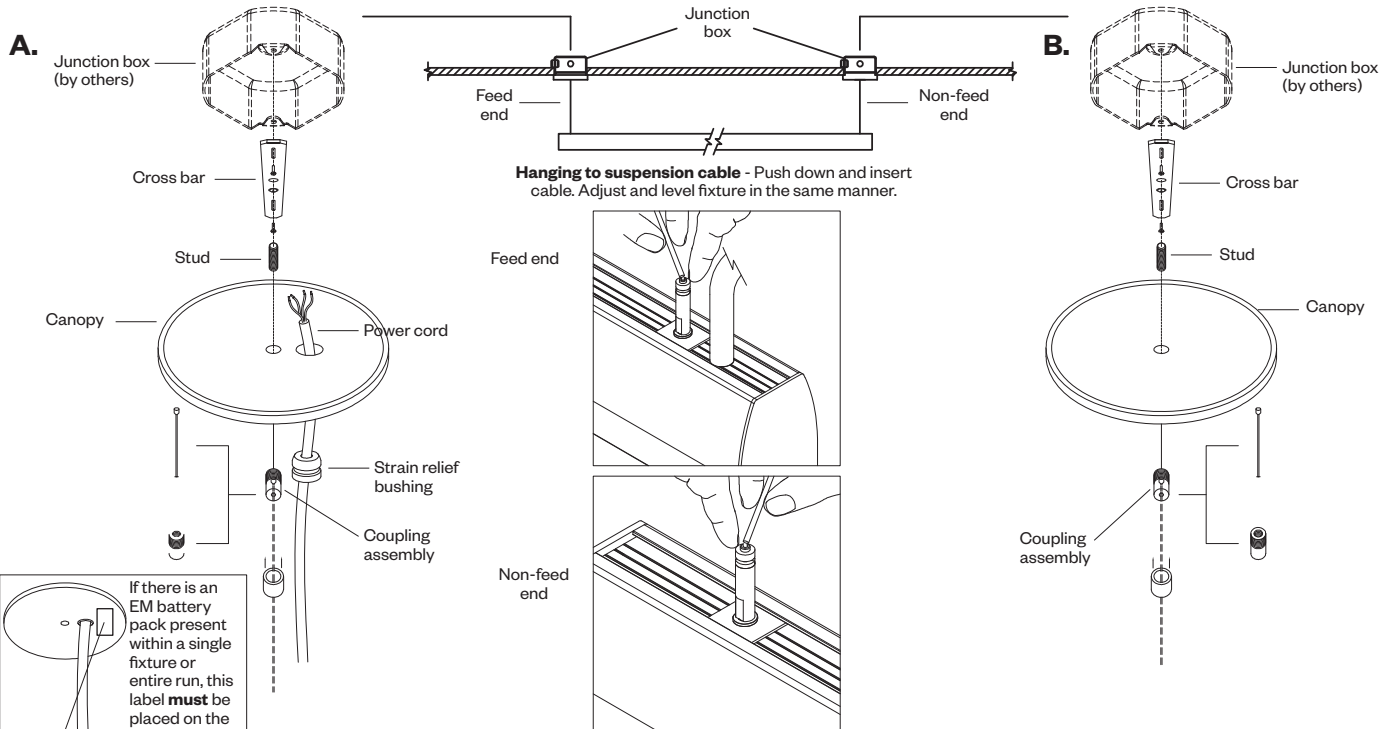


Example of a Continuous Row

1. Install junction box(es): The junction box should be placed as shown to make sure that the canopy cover sits flush with the ceiling when install is finished.



2. Individual and Beginning of Run Install:

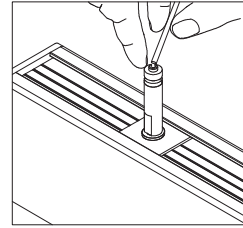
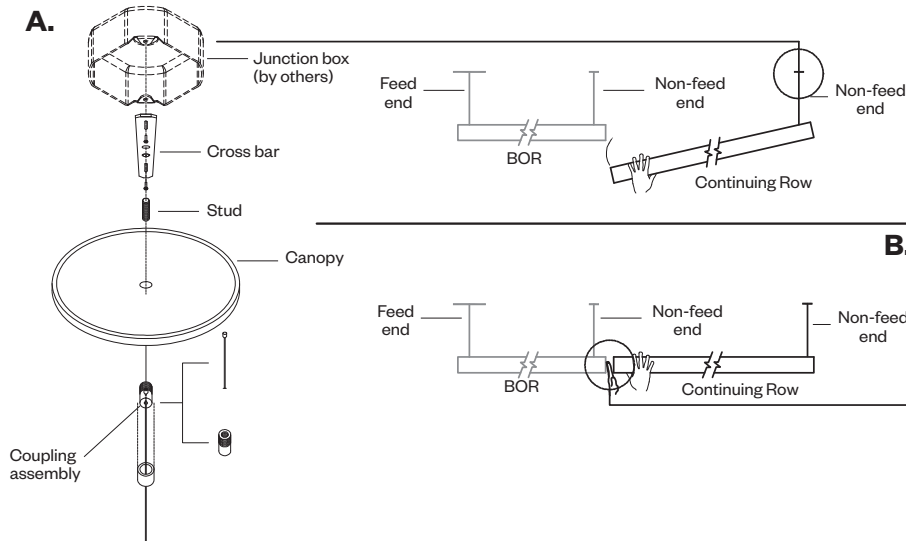


If there is an EM battery pack present within a single fixture or entire run, this label **must** be placed on the canopy face.

LIGHTED PUSH BUTTON TEST SWITCH
Testing: Push the lens & hold firmly to activate emergency lamp(s). Refer to instruction manual for more information.

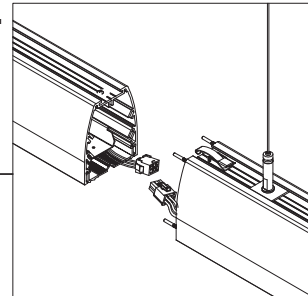
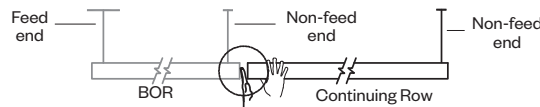
3. Hang Continuing Suspension Cable/Canopy - After the BOR has been installed:

A.



Hanging to suspension cable -
Push down and insert cable.
Make sure to leave extra length
so the fixture can be adjusted.
Adjust and level fixture in the
same manner.

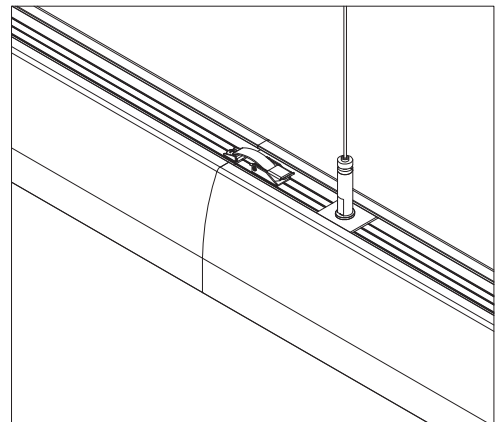
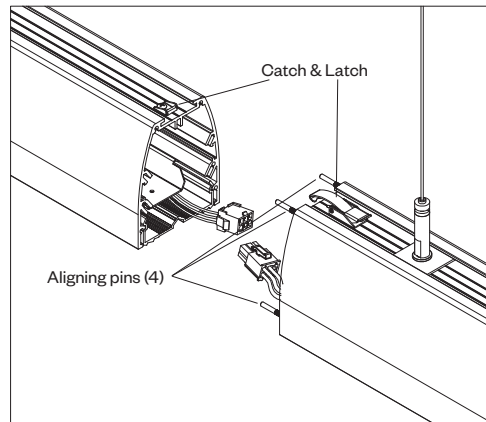
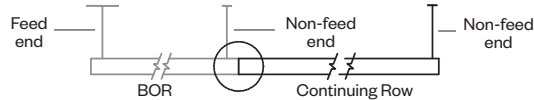
B.



Connect power harness -
After hanging the fixture
as shown above, at the
end specified in layout,
bring up the other end and
make the electrical connection
by joining male
and female power supply
connector harness.

C.

Join Fixtures Together -
Use the aligning pins to
engage, and secure with
adjoining hardware. Adjust
and level fixtures.

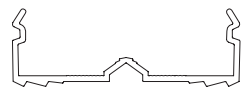
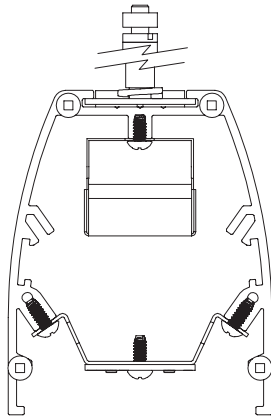


Relamping and Maintenance:

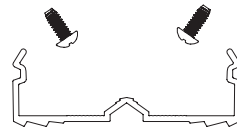
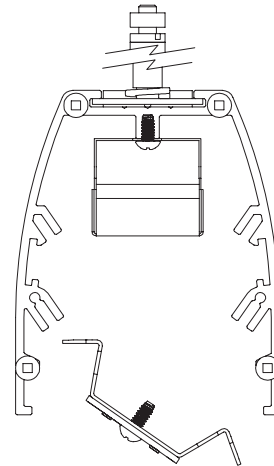
WARNING: Electrostatic and polarity sensitive device. Use caution while handling and wiring.

- 1. **LED Fixture:** Consult Amerlux for LED maintenance.
- 2. **LED Replacement:** For LED board replacement reference 689-0394 Instruction Sheet.
- 3. **Driver Maintenance:** Drivers are located beneath the reflector. Remove the screws along the sides of the reflector to access. Note driver resistance value during driver maintenance.

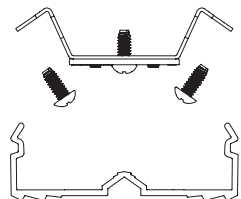
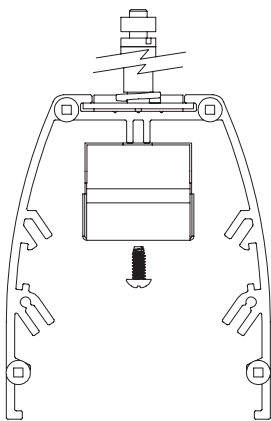
4. Removing Driver: Disconnect power to fixtures and take note of Electro-Static Discharge Warning.



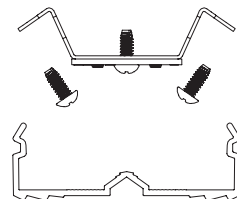
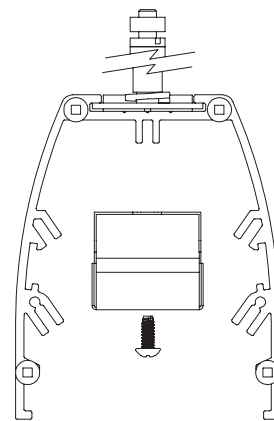
1. Remove Snap-In Lens



2. Remove Screws on side of reflector tray and lower out reflector



3. Remove screws on driver.
(2 per)



4. Remove Driver

To Re-Assemble Fixture - follow steps in reverse.