

INSTRUCTION SHEET



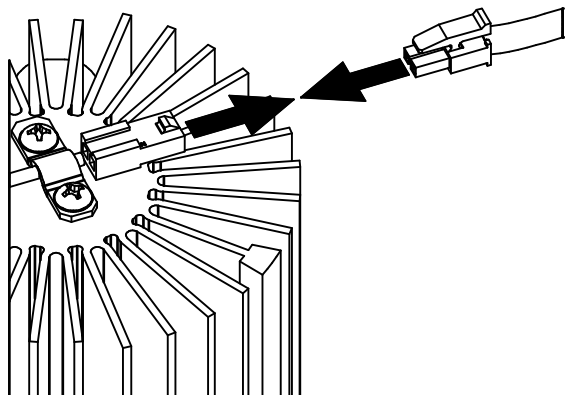
HORNET HP SQUARE / ROUND LENS WALL WASH TRIM INSTALLATION

689-0450

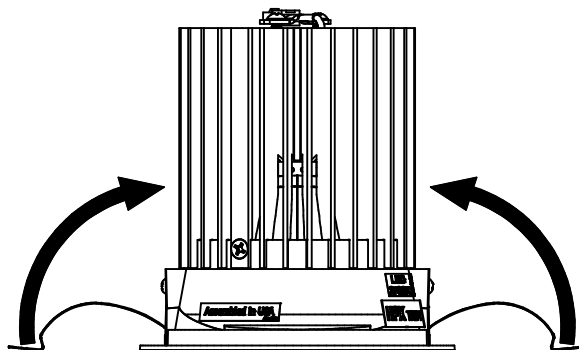
PAGE 1 OF 1

WARNING - RISK OF FIRE AND ELECTRICAL SHOCK. FIXTURE MUST BE INSTALLED BY A QUALIFIED ELECTRICIAN ONLY. FIXTURE IS INTENDED FOR INSTALLATION IN ACCORDANCE WITH THE NATIONAL ELECTRICAL CODE, LOCAL AND FEDERAL SPECIFICATIONS. DISCONNECT POWER AT ELECTRICAL PANEL BEFORE SERVICING. RETAIN THESE INSTRUCTIONS FOR MAINTENANCE REFERENCE.

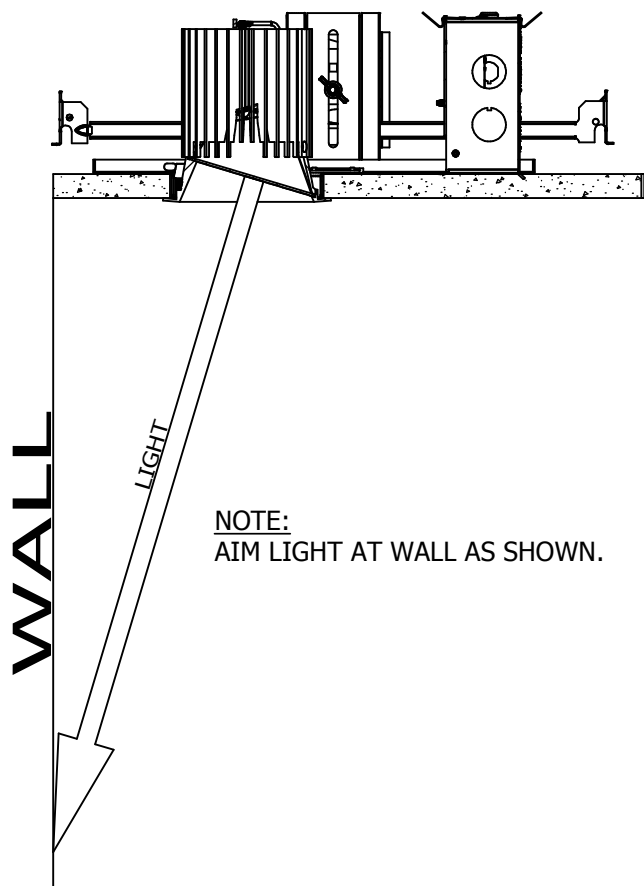
1 MAKE ELECTRICAL CONNECTION



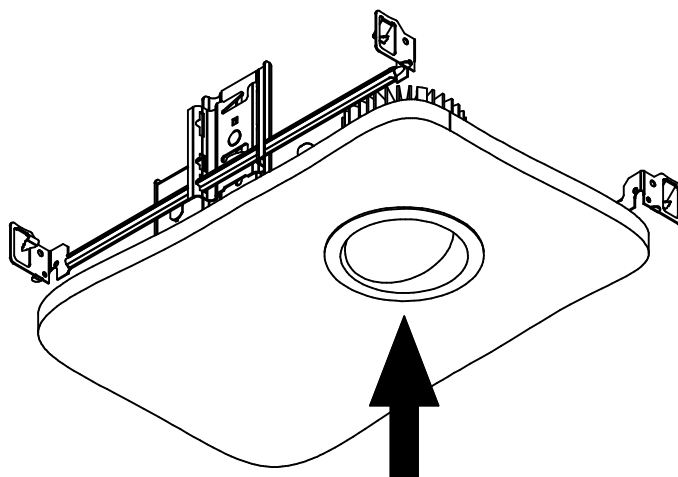
2 COMPRESS SPRING CLIPS



3 ORIENT OPTICAL HEAD



4 INSERT OPTICAL HEAD



Amerlux, 178 Bauer Drive, Oakland, N.J. 07436, T: 973-882-5010, F: 973-882-2604 www.amerlux.com