

INSTRUCTION SHEET



RECESSED MULTIPLE, TRIMLESS, CYLINDRIX, CONTOUR, HORNET

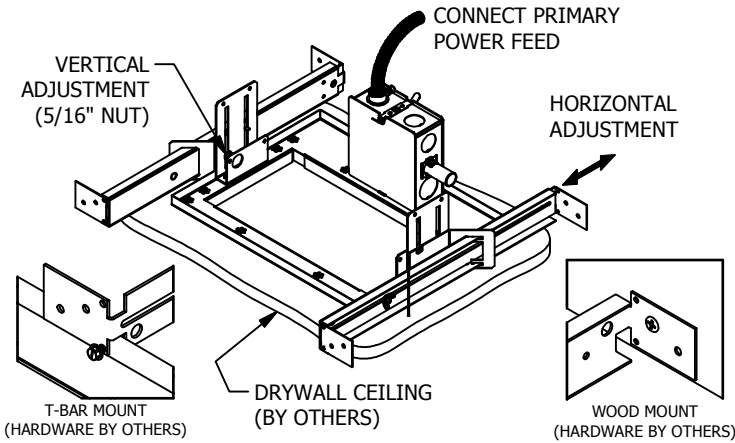
689-0476

PAGE 1 OF 1

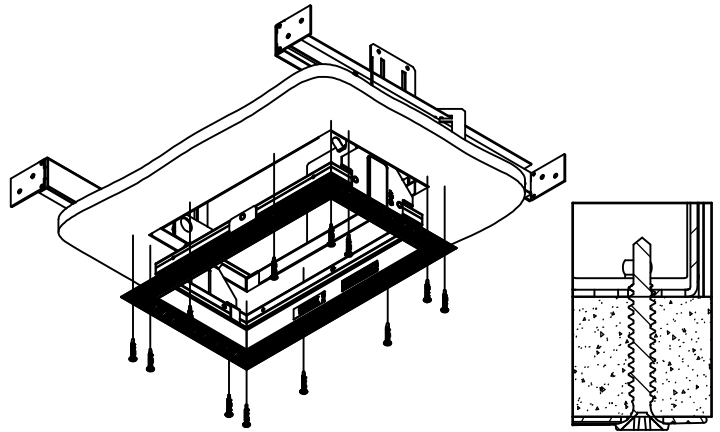
WARNING - RISK OF FIRE AND ELECTRICAL SHOCK. FIXTURE MUST BE INSTALLED BY A QUALIFIED ELECTRICIAN ONLY. FIXTURE IS INTENDED FOR INSTALLATION IN ACCORDANCE WITH THE NATIONAL ELECTRICAL CODE, LOCAL AND FEDERAL SPECIFICATIONS. DISCONNECT POWER AT ELECTRICAL PANEL BEFORE SERVICING.

RETAIN THESE INSTRUCTIONS FOR MAINTENANCE REFERENCE.

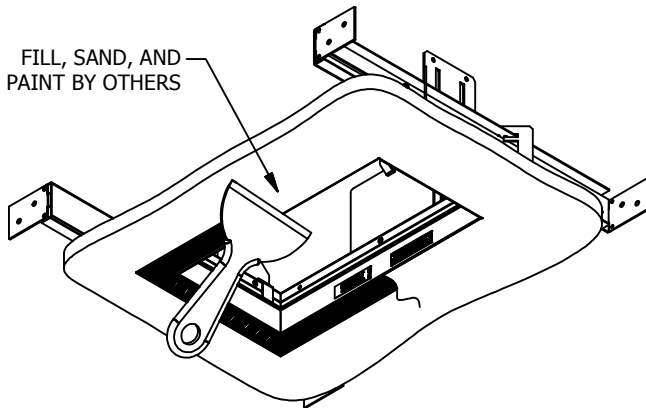
1 INSTALL FRAME AND WIRE J-BOX



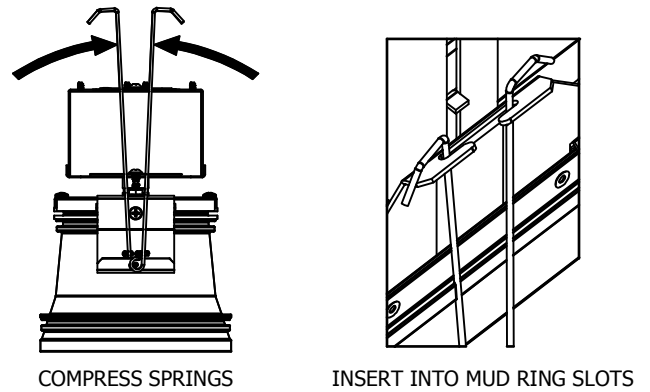
2 FASTEN MUD RING TO FRAME



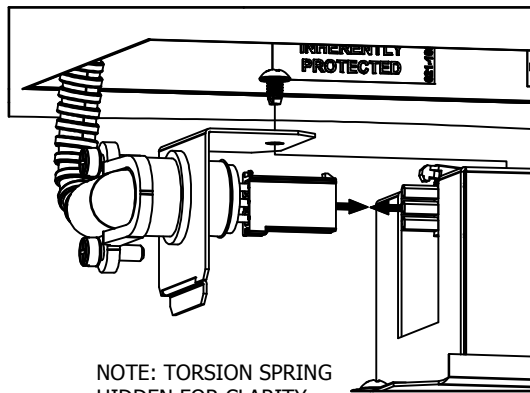
3 PLASTER IN MUD RING



4 INSTALL TORSION SPRINGS



5 MAKE ELECTRICAL CONNECTION



6 PUSH TRIM UP

