

INSTRUCTION SHEET



ROOK 350 PENDANT, REMOTE DRIVER, CANOPY/CORD MOUNT INSTALLATION

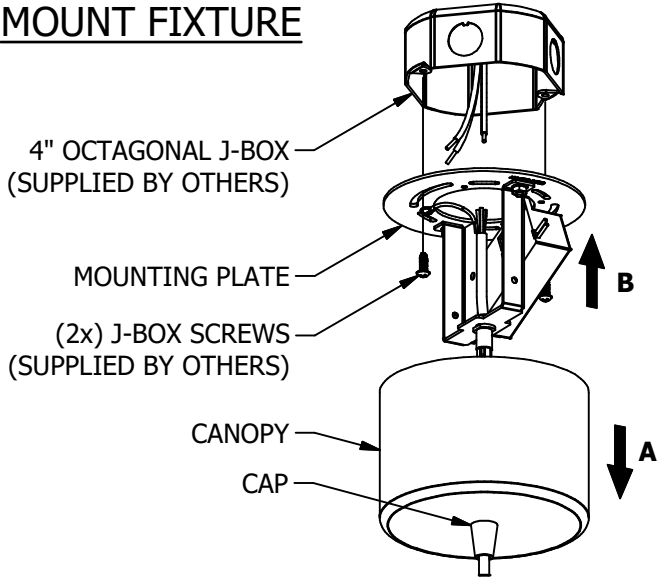
689-0477

PAGE 1 OF 1

WARNING - RISK OF FIRE AND ELECTRICAL SHOCK. FIXTURE MUST BE INSTALLED BY A QUALIFIED ELECTRICIAN ONLY. FIXTURE IS INTENDED FOR INSTALLATION IN ACCORDANCE WITH THE NATIONAL ELECTRICAL CODE, LOCAL AND FEDERAL SPECIFICATIONS. DISCONNECT POWER AT ELECTRICAL PANEL BEFORE SERVICING.

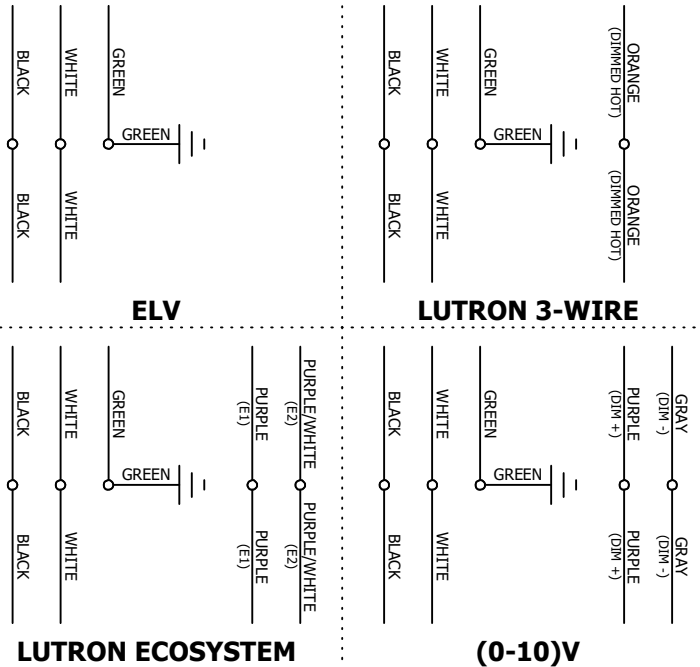
RETAIN THESE INSTRUCTIONS FOR MAINTENANCE REFERENCE.

1 MOUNT FIXTURE

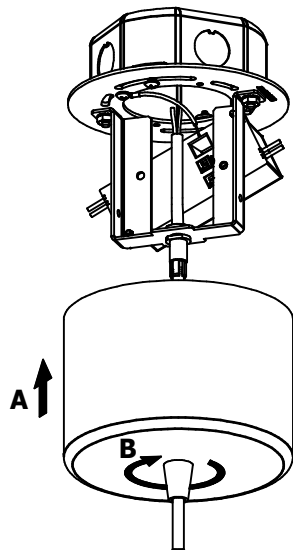


- A.** UNSCREW CAP AND REMOVE CANOPY & CAP.
- B.** MOUNT FIXTURE TO 4" OCTAGONAL J-BOX (SUPPLIED BY OTHERS) WITH (2x) HARDWARE (SUPPLIED BY OTHERS).

2 WIRE ACCORDING TO LOCAL AND NATIONAL CODE

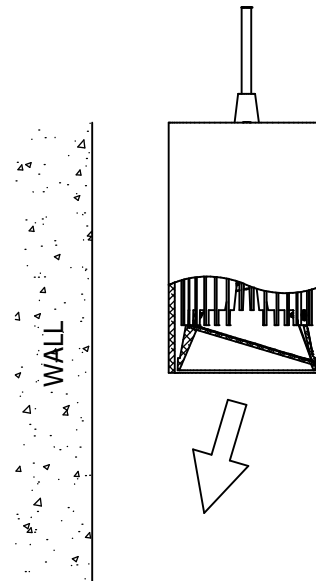


3 INSTALL CANOPY



- A.** RAISE CANOPY AND CAP TO FIXTURE.
- B.** THREAD CAP INTO COLLET UNTIL CANOPY IS FLUSH WITH CEILING.
- C.** FINE TUNE HEIGHT BY LOOSENING CAP, ADJUSTING CORD HEIGHT, THEN TIGHTENING CAP.

4 ALIGN RLW HOUSING*



IF FIXTURE HAS AN RLW (WALL WASH) TRIM, ALIGN TRIM TO WALL BY HOLDING CORD AND ROTATING CYLINDER

Amerlux, 23 Daniel Road East, Fairfield, N.J. 07004, T: 973-882-5010, F: 973-882-2604 www.amerlux.com