

INSTRUCTION SHEET



ROOK 350 PENDANT, REMOTE DRIVER, CANOPY/CORD MOUNT INSTALLATION

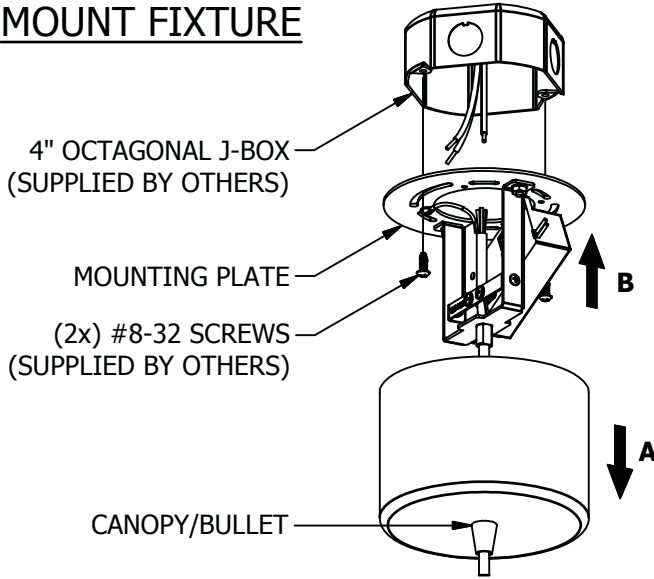
689-0477

PAGE 1 OF 1

WARNING - RISK OF FIRE AND ELECTRICAL SHOCK. FIXTURE MUST BE INSTALLED BY A QUALIFIED ELECTRICIAN ONLY. FIXTURE IS INTENDED FOR INSTALLATION IN ACCORDANCE WITH THE NATIONAL ELECTRICAL CODE, LOCAL AND FEDERAL SPECIFICATIONS. DISCONNECT POWER AT ELECTRICAL PANEL BEFORE SERVICING.

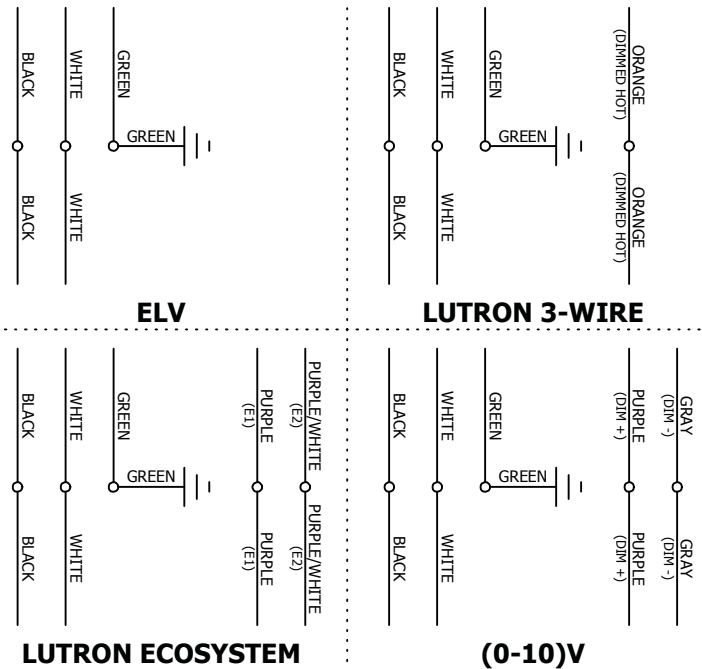
RETAIN THESE INSTRUCTIONS FOR MAINTENANCE REFERENCE.

1 MOUNT FIXTURE

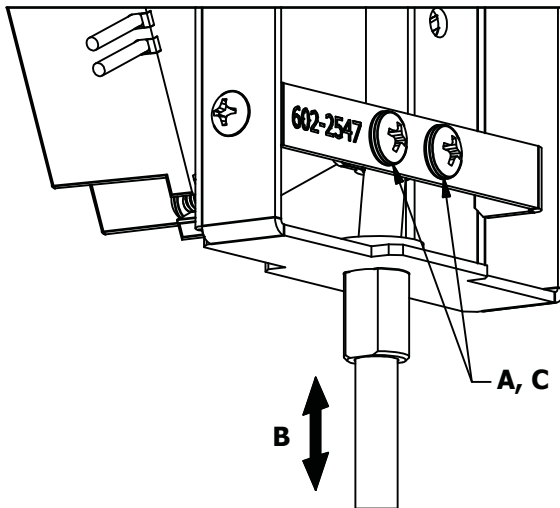


- A.** UNSCREW AND REMOVE CANOPY/BULLET.
- B.** MOUNT FIXTURE TO 4" OCTAGONAL J-BOX (SUPPLIED BY OTHERS) WITH (2x) #8-32 SCREWS (SUPPLIED BY OTHERS).

2 WIRE ACCORDING TO LOCAL AND NATIONAL CODE

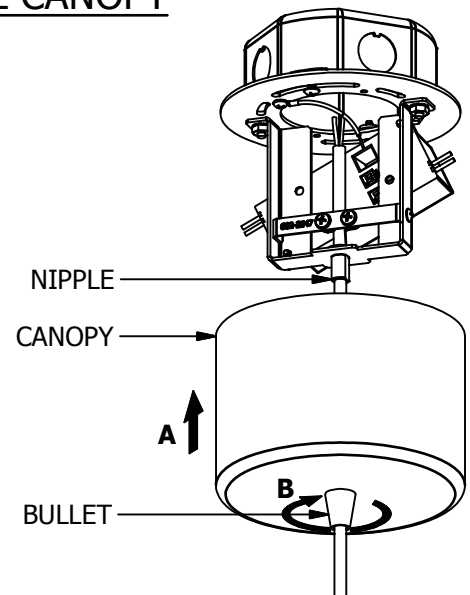


3 VERTICAL ADJUSTMENT



- A.** LOOSEN BUT DON'T REMOVE SCREW(S).
- B.** ADJUST CABLE LENGTH FOR DESIRED FIXTURE HEIGHT. (FIXTURE IS FACTORY-SHIPED WITH 2" SLACK)
- C.** TIGHTEN SCREW(S) TO LOCK IN HEIGHT.

4 INSTALL CANOPY



- A.** RAISE CANOPY/BULLET TO FIXTURE.
- B.** THREAD BULLET INTO NIPPLE UNTIL CANOPY IS FLUSH WITH CEILING.

Amerlux, 178 Bauer Drive Oakland, NJ 07436 USA, T: 973-882-5010, F: 973-882-2604 www.amerlux.com