

INSTRUCTION SHEET



ROOK 350 PENDANT, REMOTE DRIVER, RIGID STEM MOUNT INSTALLATION

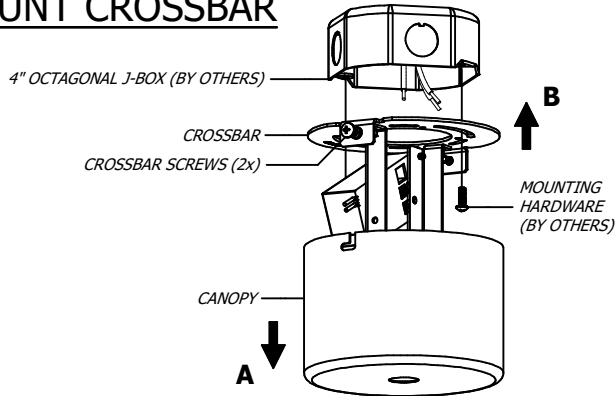
689-0491

PAGE 1 OF 1

WARNING - RISK OF FIRE AND ELECTRICAL SHOCK. FIXTURE MUST BE INSTALLED BY A QUALIFIED ELECTRICIAN ONLY. FIXTURE IS INTENDED FOR INSTALLATION IN ACCORDANCE WITH THE NATIONAL ELECTRICAL CODE, LOCAL AND FEDERAL SPECIFICATIONS. DISCONNECT POWER AT ELECTRICAL PANEL BEFORE SERVICING.

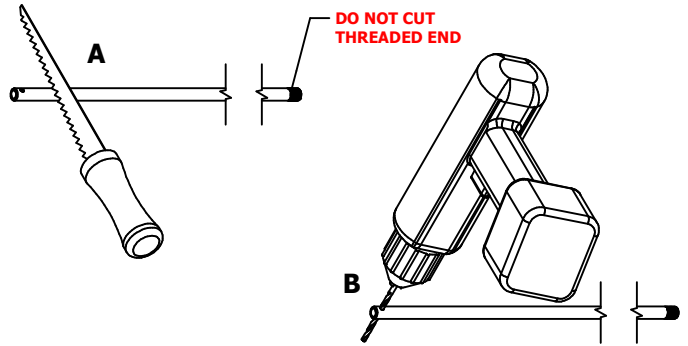
RETAIN THESE INSTRUCTIONS FOR MAINTENANCE REFERENCE.

1 MOUNT CROSSBAR



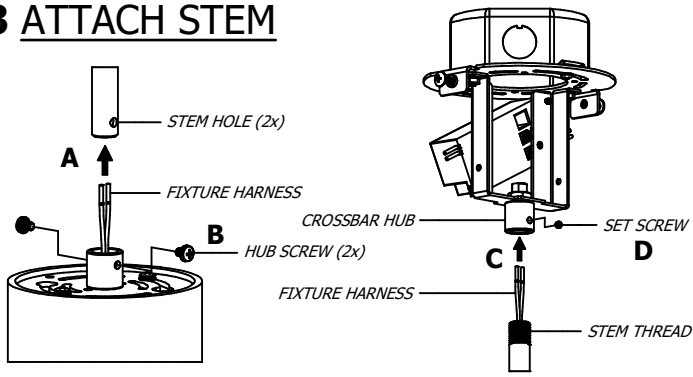
LOOSEN (2x) CROSSBAR SCREWS, ROTATE & LOWER CANOPY, THEN MOUNT CROSSBAR TO J-BOX WITH HARDWARE (BY OTHERS)

2 CUT STEM TO LENGTH



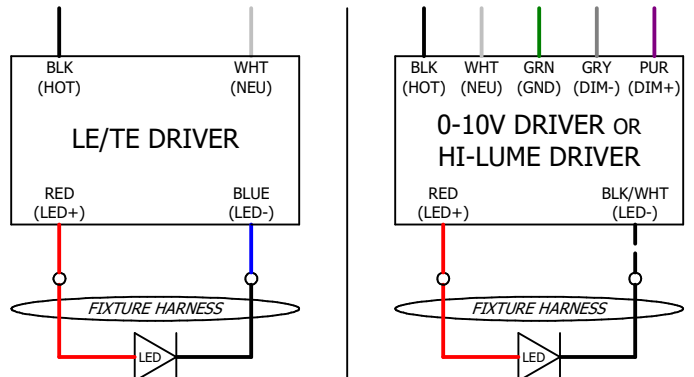
IF NECESSARY, CUT END WITH THRU HOLE TO DESIRED LENGTH, THEN DRILL A Ø3/16" THRU HOLE 5/16" FROM END

3 ATTACH STEM



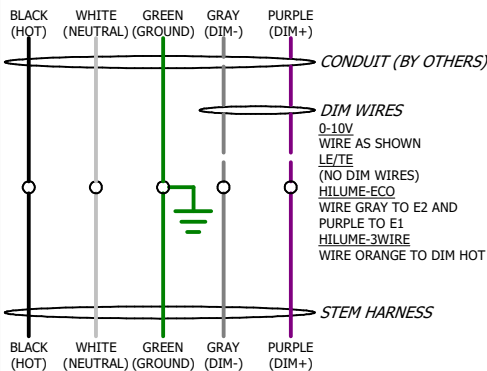
A FEED FIXTURE HARNESS THROUGH STEM, **B** ALIGN STEM AND FIXTURE HUB HOLES AND TIGHTEN SCREWS (x2), **C** SLIP CANOPY ONTO STEM AND FEED HARNESS THROUGH CROSSBAR HUB, THEN **D** THREAD STEM INTO CROSSBAR HUB AND TIGHTEN SET SCREW

4 WIRE HARNESS



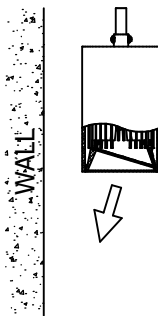
JOIN RED HARNESS WIRE WITH RED (LED+) DRIVER WIRE, AND JOIN BLACK HARNESS WIRE WITH BLUE OR BLACK/WHITE (LED-) DRIVER WIRE

5 WIRE DRIVER



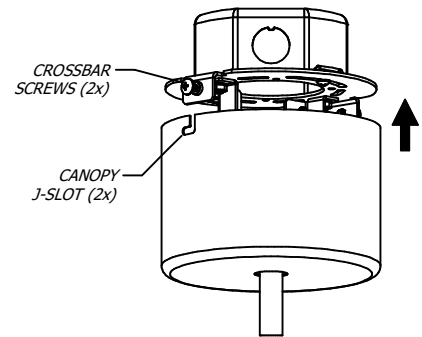
WIRE ACCORDING TO LOCAL AND NATIONAL CODE. CUT AND STRIP AS NEEDED. CAP UNUSED WIRES.

6 ALIGN RLW HOUSING*



IF FIXTURE IS RLW (WALL WASH), ALIGN TRIM TO WALL BY ADJUSTING STEM THREAD IN CROSSBAR HUB (STEP 3)

7 ATTACH CANOPY



RAISE CANOPY AND ROTATE J-SLOTS INTO (2x) SCREWS, THEN TIGHTEN SCREWS

Amerlux, 23 Daniel Road East, Fairfield, N.J. 07004, T: 973-882-5010, F: 973-882-2604 www.amerlux.com