

INSTRUCTION SHEET



ROOK 350 PENDANT, REMOTE DRIVER, RIGID STEM MOUNT INSTALLATION

689-0491

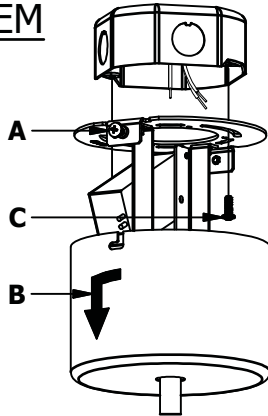
PAGE 1 OF 1

WARNING - RISK OF FIRE AND ELECTRICAL SHOCK. FIXTURE MUST BE INSTALLED BY A QUALIFIED ELECTRICIAN ONLY. FIXTURE IS INTENDED FOR INSTALLATION IN ACCORDANCE WITH THE NATIONAL ELECTRICAL CODE, LOCAL AND FEDERAL SPECIFICATIONS. DISCONNECT POWER AT ELECTRICAL PANEL BEFORE SERVICING.

RETAIN THESE INSTRUCTIONS FOR MAINTENANCE REFERENCE.

1 MOUNT CANOPY/STEM

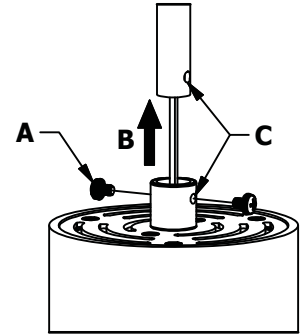
- A.** LOOSEN (2x) #8-32 SCREWS.
- B.** ROTATE THEN LOWER CANOPY.
- C.** MOUNT HOUSING TO 4" OCTAGONAL J-BOX (SUPPLIED BY OTHERS) WITH (2x) #8-32 SCREWS (SUPPLIED BY OTHERS).



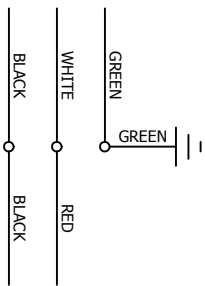
2 INSTALL AND FASTEN CYLINDER

(ENSURE CANOPY IS ON STEM BEFORE STARTING THIS STEP)

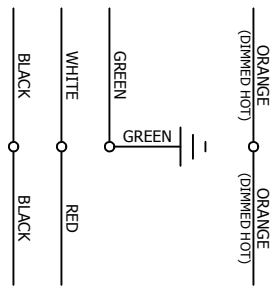
- A.** LOOSEN (2x) #8-32 SCREWS.
- B.** FEED WIRES UP THROUGH STEM AND INTO CANOPY.
- C.** ALIGN HOLES IN HUB WITH HOLES IN STEM AND FASTEN WITH (2x) #8-32 SCREWS.



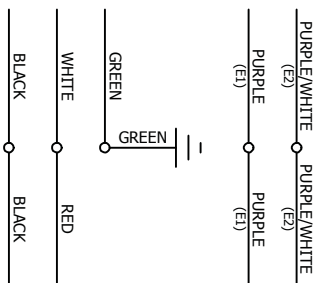
3 WIRE ACCORDING TO LOCAL AND NATIONAL CODE



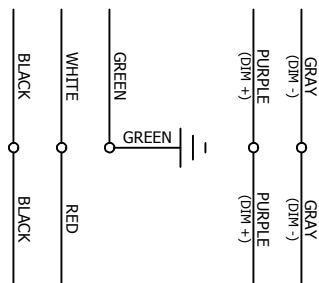
ELV



LUTRON 3-WIRE

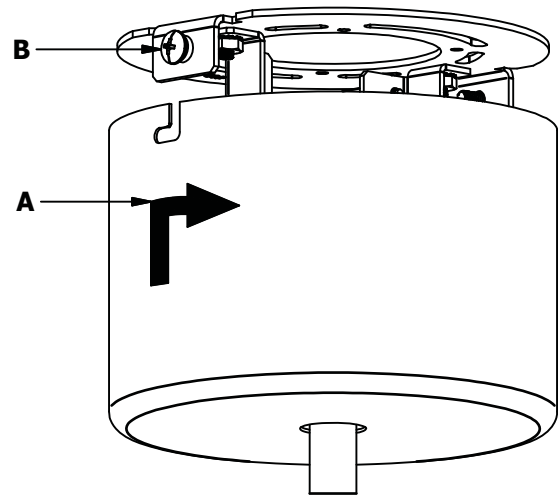


LUTRON ECOSYSTEM



(0-10)V

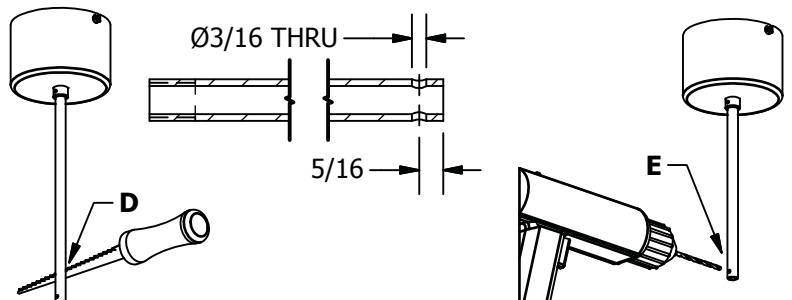
4 INSTALL CANOPY



- A.** RAISE THEN ROTATE CANOPY CLOCKWISE, LOCKING INTO (2x) #8-32 SCREWS.
- B.** TIGHTEN (2x) #8-32 SCREWS.

FIELD ADJUSTMENT

- A.** REMOVE CANOPY FROM DRIVER HOUSING (REVERSE STEP 4).
- B.** UNWIRE SECONDARY FEED (BLACK AND RED WIRES THAT FEED TO CYLINDER) FROM DRIVER (SEE STEP 3).
- C.** UNFASTEN AND REMOVE CYLINDER (REVERSE STEP 2).
- D.** CUT FREE END OF STEM TO DESIRED LENGTH.
- E.** DRILL A Ø3/16" HOLE THRU, 5/16" FROM STEM BOTTOM.
- F.** REPEAT STEPS 2-4.



Amerlux, 178 Bauer Drive Oakland, NJ 07436 USA, T: 973-882-5010, F: 973-882-2604 www.amerlux.com