



# INSTALLATION INSTRUCTIONS

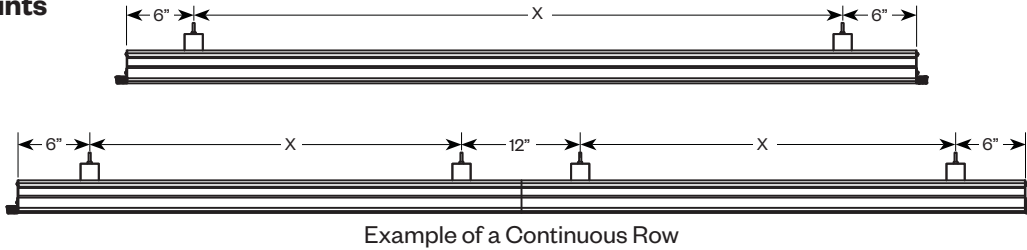
GRUV 1.5"  
LED, Gypsum Board

689-0512  
pg 1 of 3

**WARNING: RISK OF FIRE AND ELECTRICAL SHOCK. FIXTURE MUST BE INSTALLED BY A QUALIFIED ELECTRICIAN ONLY. FIXTURE IS INTENDED FOR INSTALLATION IN ACCORDANCE WITH THE NATIONAL ELECTRICAL CODE, LOCAL AND FEDERAL SPECIFICATIONS. DISCONNECT POWER AT ELECTRICAL PANEL BEFORE SERVICING.**

**RETAIN THESE INSTRUCTIONS FOR MAINTENANCE REFERENCE.**

## Suspension Points

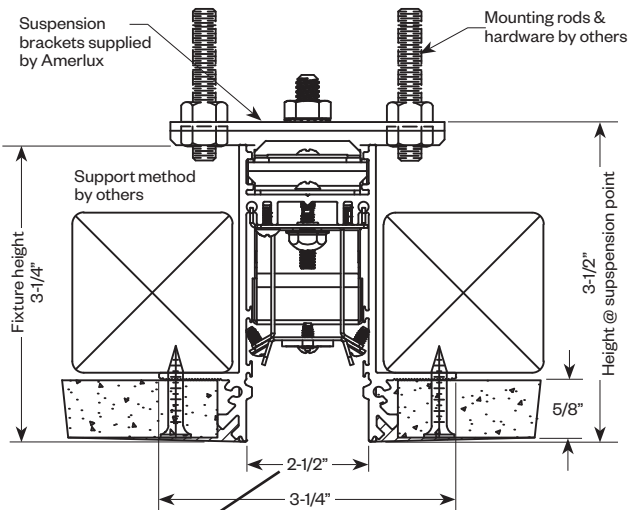
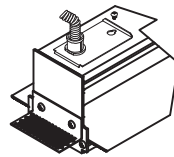
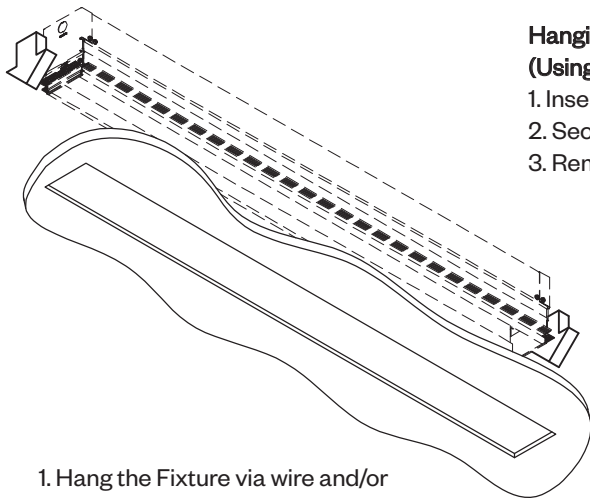


## Individual Installation - (Individual fixture shipped as shown)

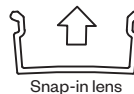
\* Fixture **MUST** be mounted before ceiling is installed.

### Hanging the fixture via threaded rods. (Using Yoke)

1. Insert 1/4-20 bolt and secure with nut. (supplied by others)
2. Secure to structure via coupling. (supplied by others)
3. Remove 7/8" KO in access cover at power feed location.



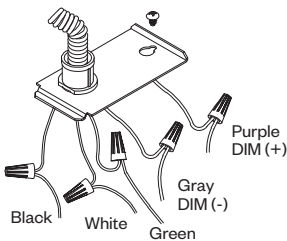
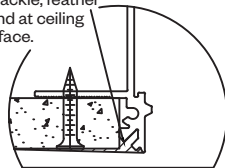
**MINIMUM CEILING OPENING MUST BE HELD BY INSTALLER FOR THE FULL LENGTH OF THE RUN DO NOT REMOVE SHIPPING SPACE UNTIL CEILING IS FINISHED.**



1. Hang the Fixture via wire and/or threaded rods. (Optional)  
Blocking as shown by others.
2. Once the fixture is secure, feed power source through the knock-out. Splice to harness according to code.
3. Install ceiling (by others).\*
4. Spackle in fixture.
5. Snap in Lens.

Blocking support method (supplied by others)

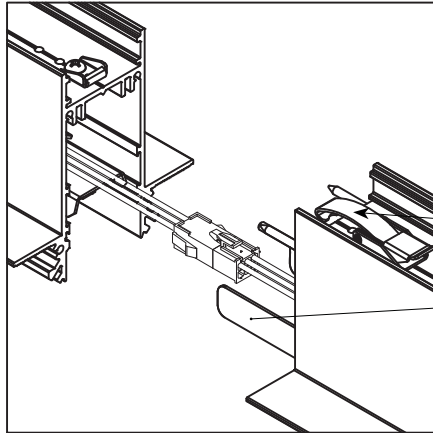
Ceiling contractor to spackle, feather & sand at ceiling interface.



**ACCESS PLATE DETAIL WIRING CONNECTION**  
0-10V DIM shown. For Non-DIM applications cap Purple (+) and Gray (-). Wire nuts supplied by others.

**Assembling Continuous Rows**

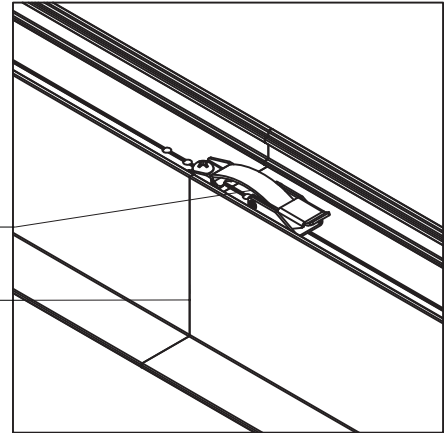
Housing Assembly



**Joining the Housings**  
Line up the two housings by using the alignment splines. Secure them together by using the Catch and Latch System on the top of the extrusion.

Catch and Latch

Alignment Spline and/or Pins



Reflector Removal (only required to access driver)

**WARNING: Electrostatic and polarity sensitive device. Use caution while handling and wiring.**

**1.) LED Fixture:**

Consult Amerlux for LED maintenance.

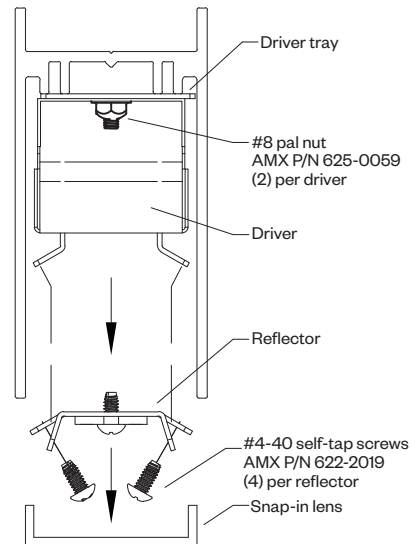
**2.) LED Replacement:**

For LED board replacement reference 689-0500 Instruction Sheet.

**3.) Driver maintenance:**

Drivers are located on tray beneath direct reflectors, (1) driver per tray, secured by (2) #8 pal nuts. Remove the reflector mounting screws to access. For programmable driver replacement please specify: **Manufacturer, Model No. and Current Setting (\_\_\_ mA)**. For drivers with **external** resistors, keep driver resistor value during driver maintenance or replacement.

See 710-0134 Wiring Schematic for more details.



**MAKE SURE TO DISCONNECT ALL ELECTRICAL CONNECTIONS BEFORE ACCESSING LED**



# INSTALLATION INSTRUCTIONS

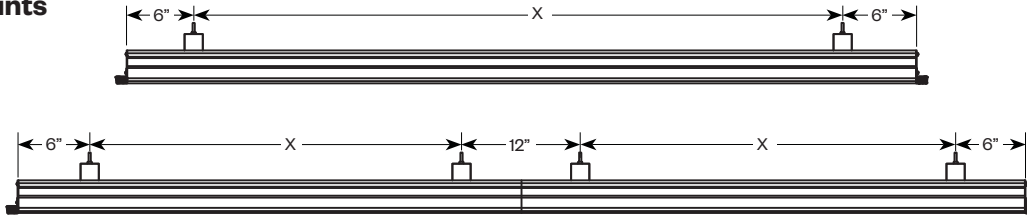
GRUV 1.5"  
LED, Gypsum Board  
Wall Mounted (Horizontal/Vertical)

689-0512  
pg 3 of 3

**WARNING: RISK OF FIRE AND ELECTRICAL SHOCK. FIXTURE MUST BE INSTALLED BY A QUALIFIED ELECTRICIAN ONLY. FIXTURE IS INTENDED FOR INSTALLATION IN ACCORDANCE WITH THE NATIONAL ELECTRICAL CODE, LOCAL AND FEDERAL SPECIFICATIONS. DISCONNECT POWER AT ELECTRICAL PANEL BEFORE SERVICING.**

**RETAIN THESE INSTRUCTIONS FOR MAINTENANCE REFERENCE.**

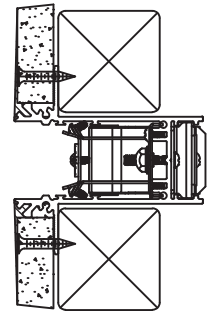
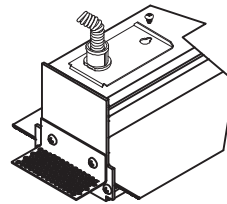
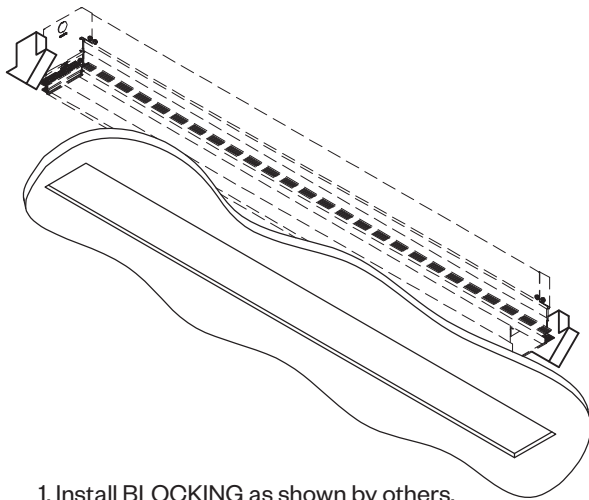
## Suspension Points



Example of a Continuous Row

## Individual Installation - (Individual fixture shipped as shown)

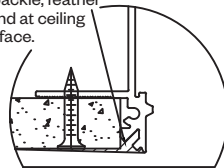
\* Fixture **MUST** be mounted before wall is installed.



1. Install **BLOCKING** as shown by others. Secure housing to blocking using Self-drilling screws (supplied by others) thru Fixture Flange.
2. Once the fixture is secure, feed power source through the knock-out. Splice to harness according to code.
3. Install wall (by others).\*
4. Spackle in fixture.
5. Snap in Lens.

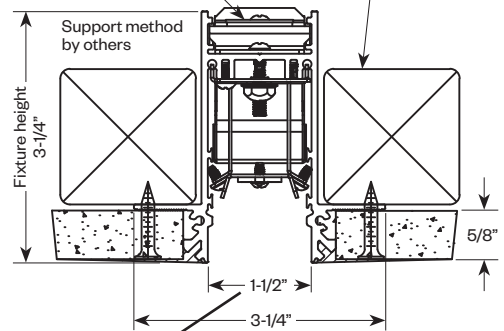
Blocking support method (supplied by others)

Ceiling contractor to spackle, feather & sand at ceiling interface.

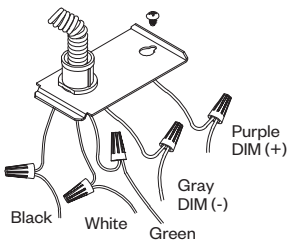


Remove 7/8" KO in access cover at power feed location.

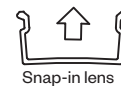
Blocking required (by others).



**MINIMUM CEILING OPENING MUST BE HELD BY INSTALLER FOR THE FULL LENGTH OF THE RUN DO NOT REMOVE SHIPPING SPACE UNTIL CEILING IS FINISHED.**



**ACCESS PLATE DETAIL WIRING CONNECTION**  
0-10V DIM shown. For Non-DIM applications cap Purple (+) and Gray (-). Wire nuts supplied by others.



Snap-in lens