



INSTALLATION INSTRUCTIONS

LINEA 1.5" INDIRECT LED

Cable Mounted Individual Fixture or Continuous Row Mounted

689-0515

pg 1 of 2

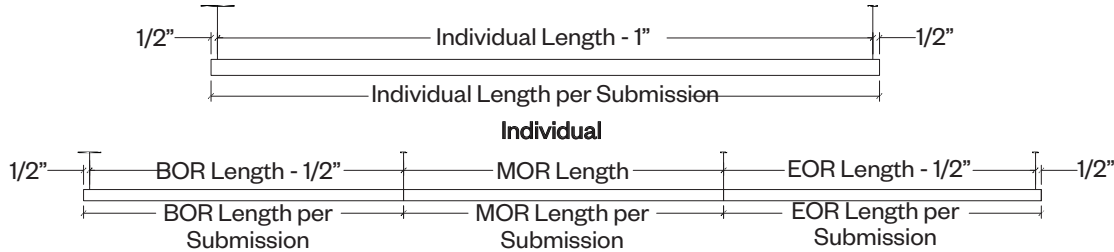
WARNING: RISK OF FIRE AND ELECTRICAL SHOCK. FIXTURE MUST BE INSTALLED BY A QUALIFIED ELECTRICIAN ONLY. FIXTURE IS INTENDED FOR INSTALLATION IN ACCORDANCE WITH THE NATIONAL ELECTRICAL CODE, LOCAL AND FEDERAL SPECIFICATIONS. DISCONNECT POWER AT ELECTRICAL PANEL BEFORE SERVICING.

RETAIN THESE INSTRUCTIONS FOR MAINTENANCE REFERENCE.

Pre-installation Note:

- Supplied by others: 4" octagonal junction boxes
- Supplied by Amerlux: canopies, suspension cables

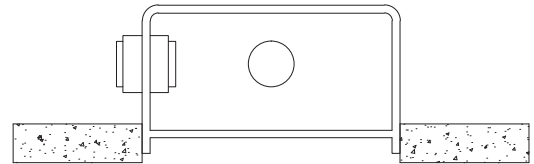
Suspension points:



Example of Continuous Row

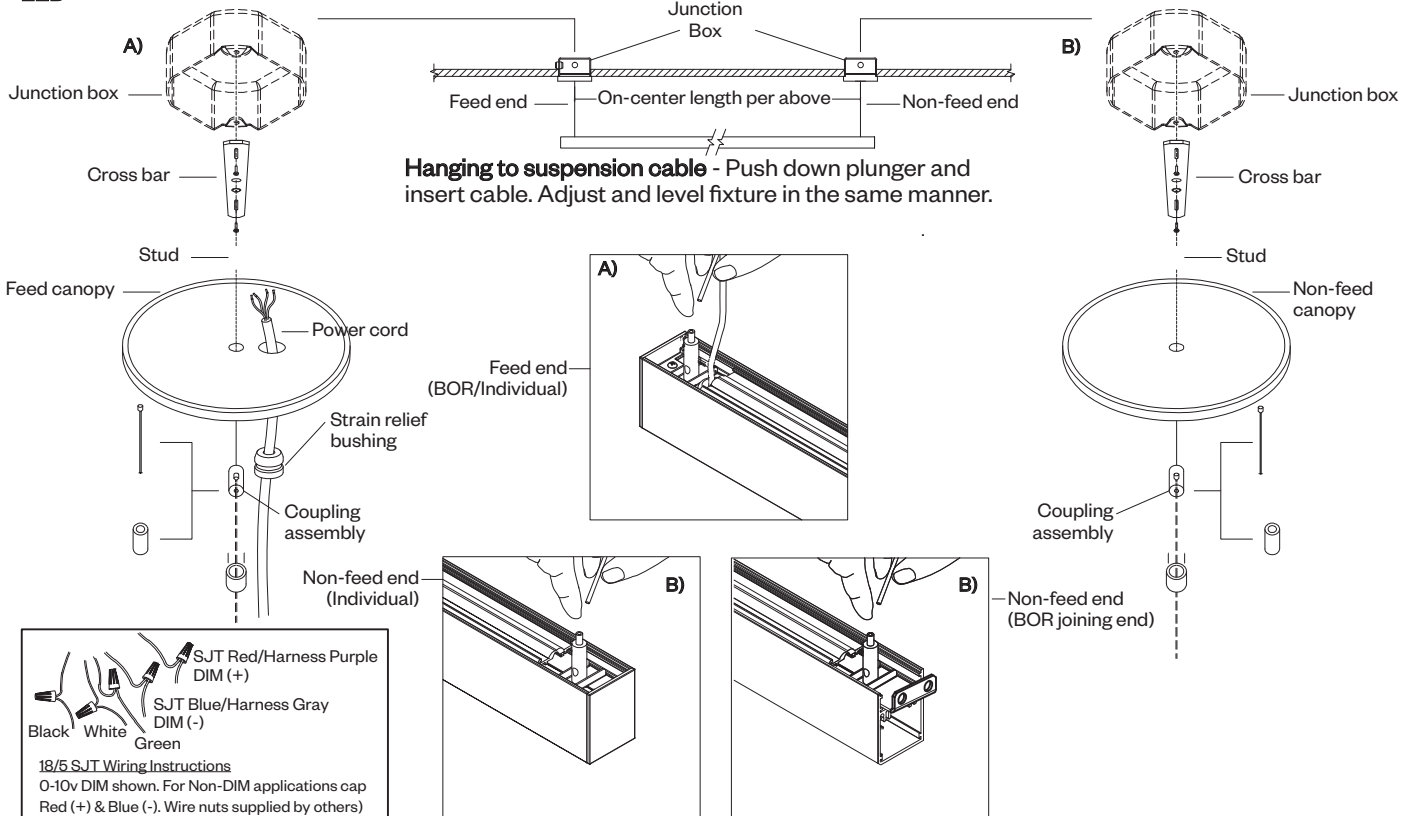
Refer to general contractor/electrician layout for proper location of mounting points/locations for junction boxes.

1. Install junction box(es) - The junction box should be regressed as shown to make sure that the canopy cover sits flush with the ceiling when install is finished.



2. Individual and Beginning of Run (BOR) Install:

LED





INSTALLATION INSTRUCTIONS

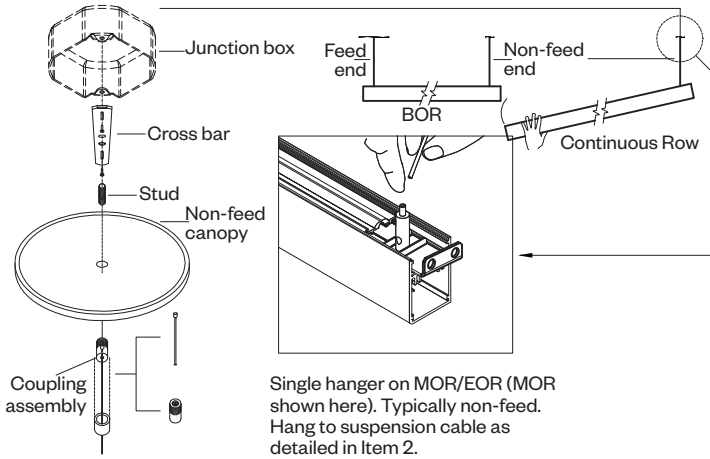
LINEA 1.5" INDIRECT LED

Cable Mounted Individual Fixture or Continuous Row Mounted

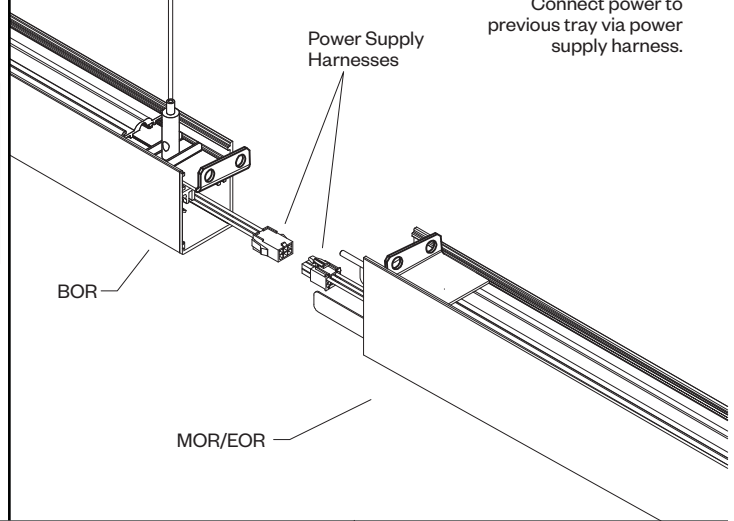
689-0515

pg 2 of 2

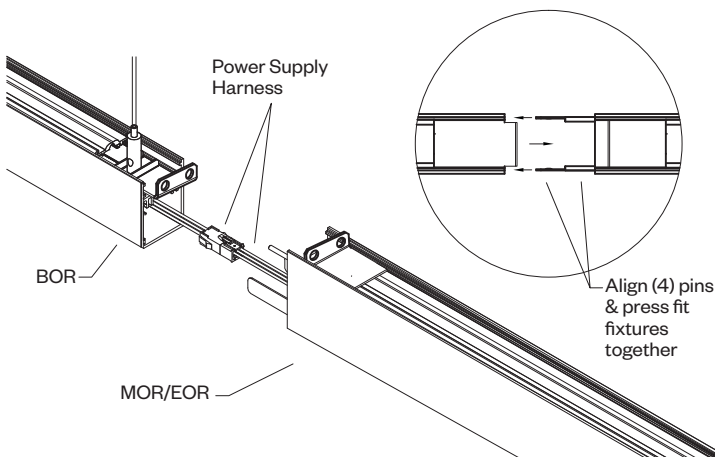
3. Hang MOR/EOR:



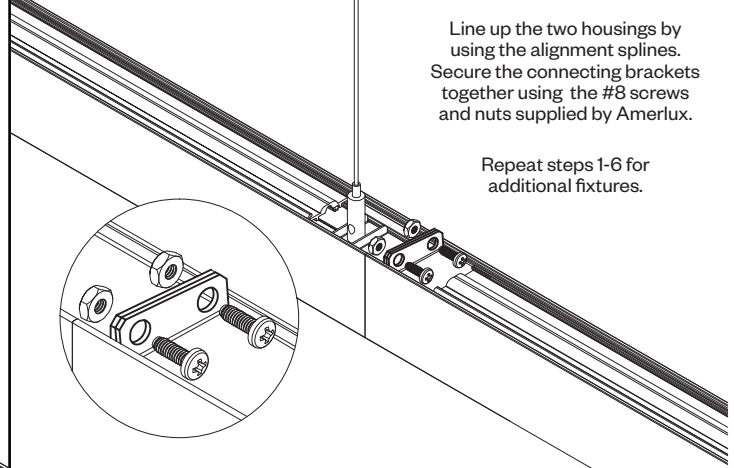
4. Connect Power:



5. Align & join:



6. Secure fixtures/joint:



7. Reflector removal (only required to access driver):

WARNING: Electrostatic and polarity sensitive device. Use caution while handling and wiring.

1.) LED Fixture:

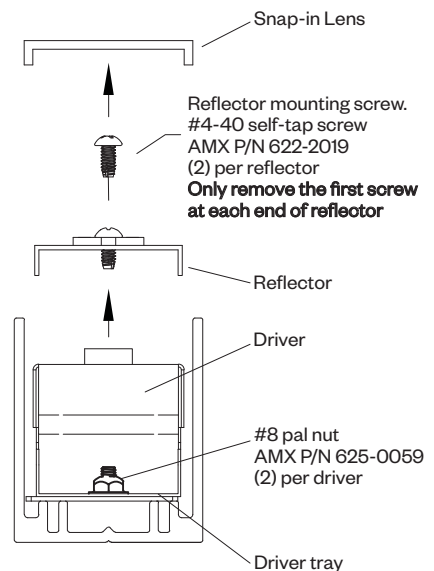
Consult Amerlux for LED maintenance.

2.) LED Replacement:

For LED board replacement reference 689-0500 Instruction Sheet.

3.) Driver Maintenance:

Drivers are located on tray beneath reflectors, secured by (2) #8 pal nuts per driver. Remove the reflector mounting screws to access. Only remove the first screw at each end of reflector. For driver replacement, please specify: Manufacturer, Model No. and Current Setting (___ mA). See 710-0134 Wiring Schematic for more details.



Amerlux reserves the right to change details that do not affect overall function and performance.

MAKE SURE TO DISCONNECT ALL ELECTRICAL CONNECTIONS BEFORE RELAMPING