

INSTRUCTION SHEET



ROOK 475 CANOPY/CORD MOUNT, INSTALLATION

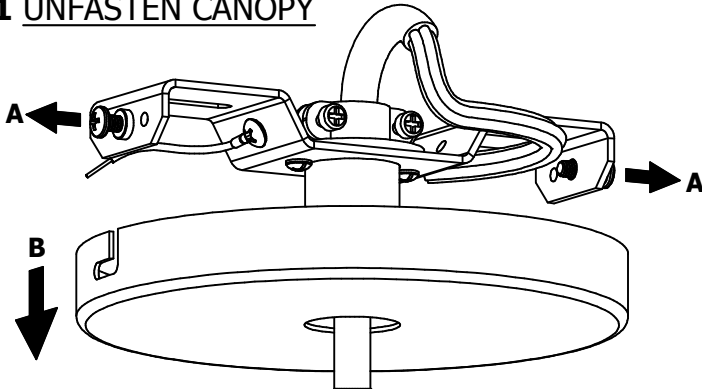
689-0551

PAGE 1 OF 2

WARNING - RISK OF FIRE AND ELECTRICAL SHOCK. FIXTURE MUST BE INSTALLED BY A QUALIFIED ELECTRICIAN ONLY. FIXTURE IS INTENDED FOR INSTALLATION IN ACCORDANCE WITH THE NATIONAL ELECTRICAL CODE, LOCAL AND FEDERAL SPECIFICATIONS. DISCONNECT POWER AT ELECTRICAL PANEL BEFORE SERVICING.

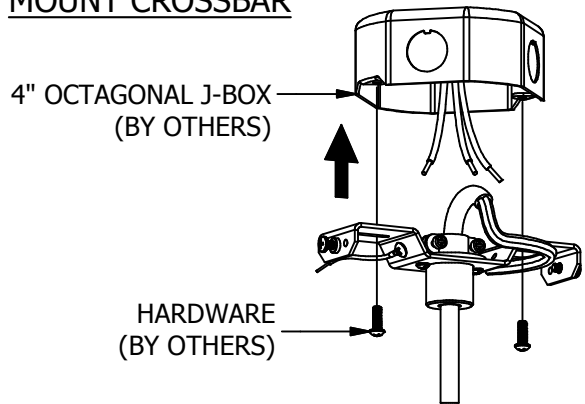
RETAIN THESE INSTRUCTIONS FOR MAINTENANCE REFERENCE.

1 UNFASTEN CANOPY



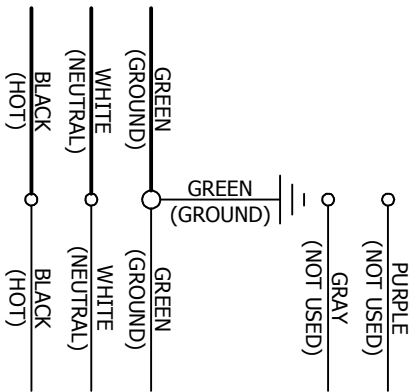
LOOSEN BUT DON'T REMOVE (2x) CANOPY SCREWS, THEN TWIST AND REMOVE CANOPY

2 MOUNT CROSSBAR

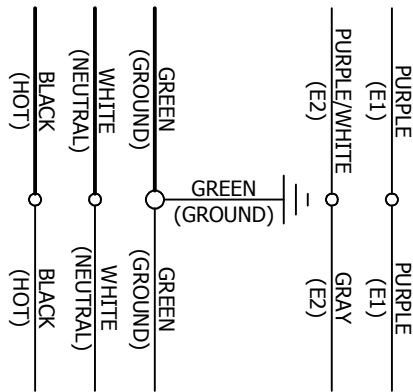


MOUNT CROSSBAR TO 4" OCTAGANOL J-BOX

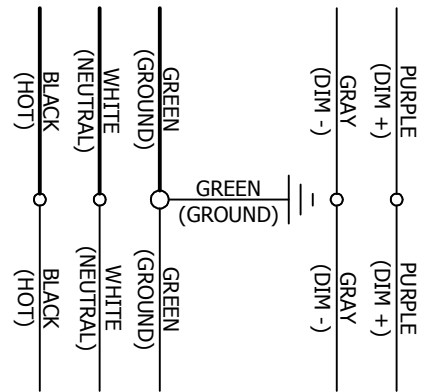
3 WIRE ACCORDING TO LOCAL AND NATIONAL CODE



ELV/ TRIAC

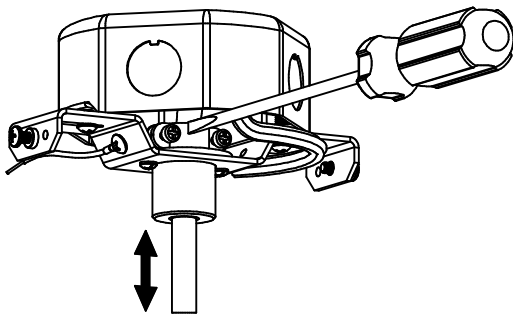


HILUME-ECO



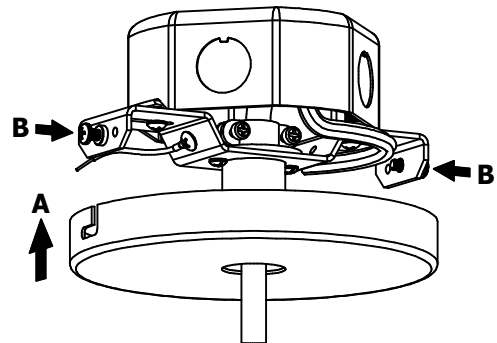
(0-10)V

4 ADJUST HEIGHT



LOOSEN BUT DON'T REMOVE (2x) ROMEX CONNECTOR SCREWS, ADJUST CORD HEIGHT THEN TIGHTEN SCREWS

5 FASTEN CANOPY

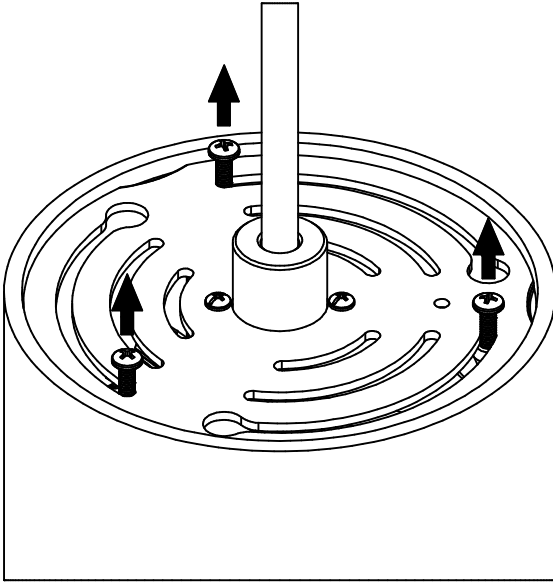


RAISE CANOPY AND TWIST INTO PLACE, THEN TIGHTEN CANOPY SCREWS

Amerlux, 178 Bauer Drive, Oakland, N.J. 07436, T: 973-882-5010, F: 973-882-2604 www.amerlux.com

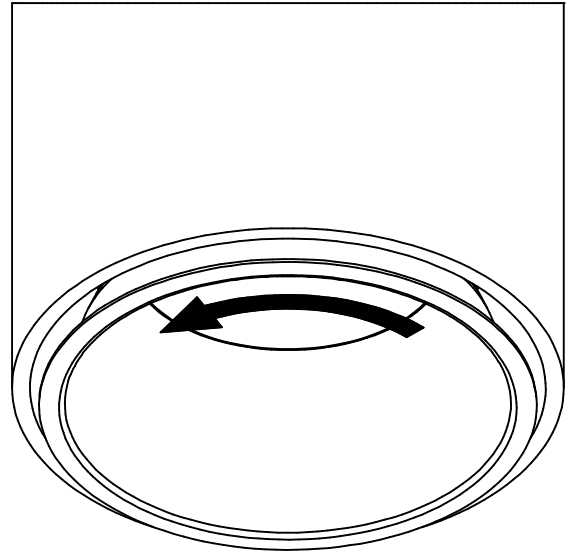
WARNING - RISK OF FIRE AND ELECTRICAL SHOCK. FIXTURE MUST BE INSTALLED BY A QUALIFIED ELECTRICIAN ONLY. FIXTURE IS INTENDED FOR INSTALLATION IN ACCORDANCE WITH THE NATIONAL ELECTRICAL CODE, LOCAL AND FEDERAL SPECIFICATIONS. DISCONNECT POWER AT ELECTRICAL PANEL BEFORE SERVICING. RETAIN THESE INSTRUCTIONS FOR MAINTENANCE REFERENCE.

1 LOOSEN SCREWS



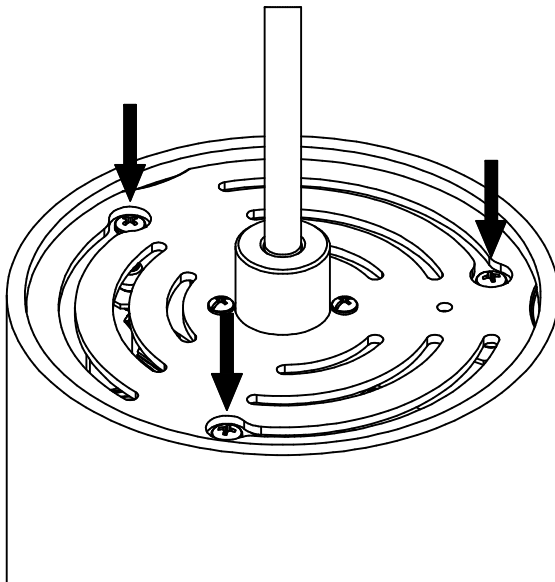
LOOSEN BUT DON'T REMOVE (3x) SCREWS ON TOP OF CYLINDER BY NO MORE THAN 1/2". BOTTOM REFLECTOR FLANGE WILL BE ACCESSIBLE FROM BOTTOM OF CYLINDER

2 TWIST



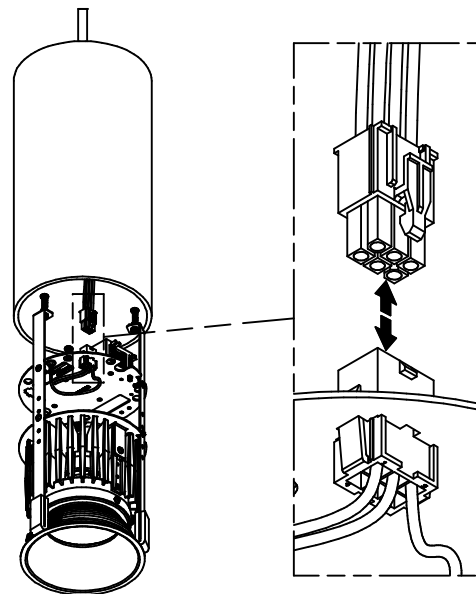
TWIST BOTTOM REFLECTOR 90° COUNTER-CLOCKWISE. ALTERNATIVELY, TWIST TOP SCREWS 90° CLOCKWISE

3 REMOVE FROM CYLINDER



ALIGN SCREW HEADS WITH SLOT KEYHOLES AND, WHILE SUPPORTING BOTTOM REFLECTOR, REMOVE REFLECTOR ASSEMBLY FROM CYLINDER

4 UNDO ELECTRICAL CONNECTION



WHILE SUPPORTING REFLECTOR ASSEMBLY, UNDO ELECTRICAL CONNECTION AS SHOWN