

INSTRUCTION SHEET



ROOK 475 RIGID STEM MOUNT, INSTALLATION

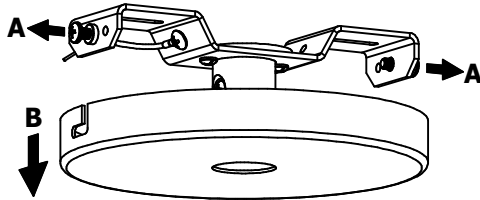
689-0552

PAGE 1 OF 2

WARNING - RISK OF FIRE AND ELECTRICAL SHOCK. FIXTURE MUST BE INSTALLED BY A QUALIFIED ELECTRICIAN ONLY. FIXTURE IS INTENDED FOR INSTALLATION IN ACCORDANCE WITH THE NATIONAL ELECTRICAL CODE, LOCAL AND FEDERAL SPECIFICATIONS. DISCONNECT POWER AT ELECTRICAL PANEL BEFORE SERVICING.

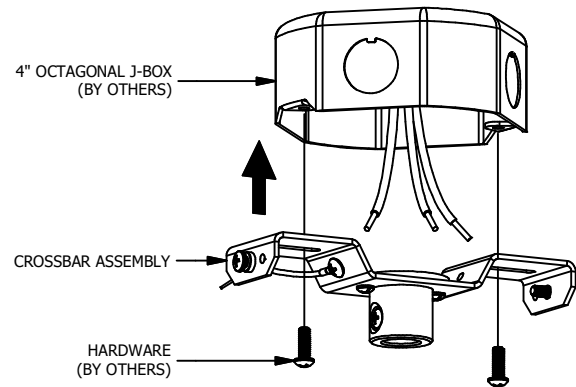
RETAIN THESE INSTRUCTIONS FOR MAINTENANCE REFERENCE.

1 UNFASTEN CANOPY



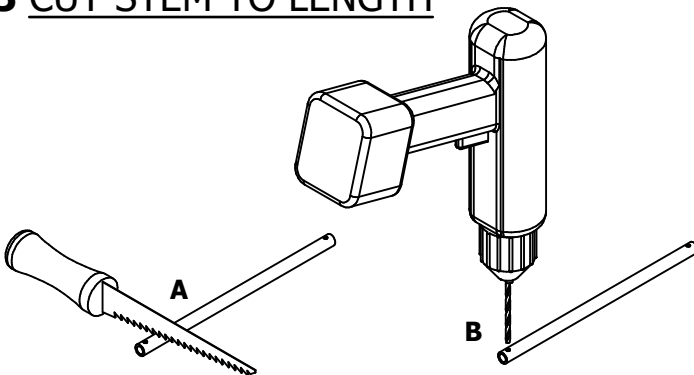
A LOOSEN BUT DON'T REMOVE (2x) CANOPY SCREWS, THEN **B** TWIST AND REMOVE CANOPY

2 MOUNT CROSSBAR



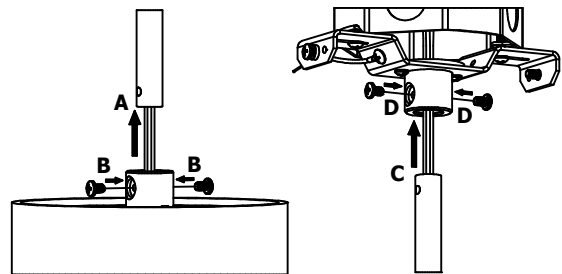
MOUNT CROSSBAR ASSEMBLY TO 4" OCTAGONAL J-BOX

3 CUT STEM TO LENGTH



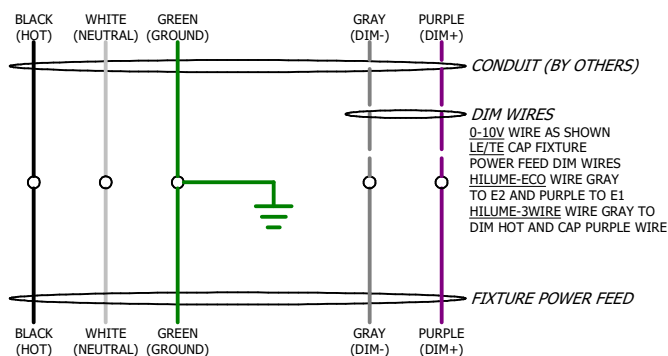
IF NECESSARY, **A** CUT ONE END TO DESIRED LENGTH, THEN **B** DRILL A $\varnothing 3/16"$ THRU HOLE $5/16"$ FROM END

4 ATTACH STEM TO CROSSBAR



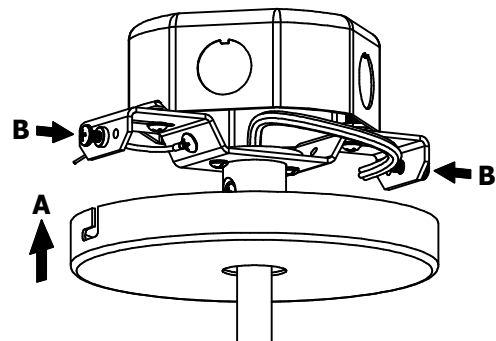
A FEED FIXTURE HARNESS THROUGH STEM, **B** ALIGN STEM AND FIXTURE HUB HOLES AND TIGHTEN SCREWS (x2), **C** FEED FIXTURE HARNESS THROUGH CROSSBAR ASSEMBLY HUB, THEN **D** ALIGN STEM AND CROSSBAR HUB HOLES AND TIGHTEN SCREWS (x2)

5 WIRE



WIRE ACCORDING TO LOCAL AND NATIONAL CODE. CUT AND STRIP AS NEEDED. CAP UNUSED WIRES.

6 ATTACH CANOPY



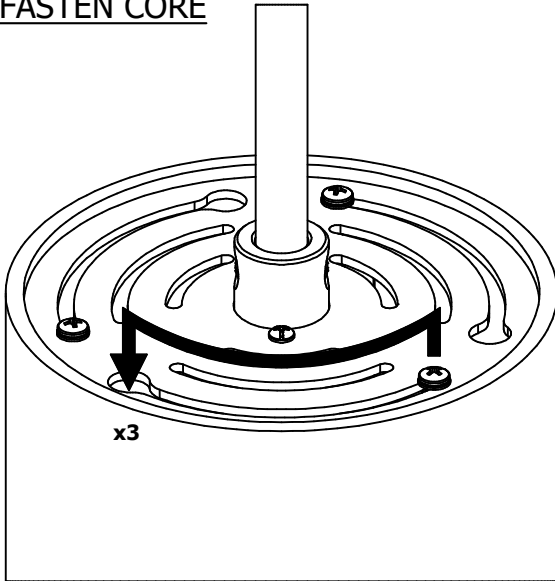
A RAISE CANOPY AND TWIST INTO PLACE, THEN **B** TIGHTEN (2x) CANOPY SCREWS

Amerlux, 178 Bauer Drive, Oakland, N.J. 07436, T: 973-882-5010, F: 973-882-2604 www.amerlux.com

WARNING - RISK OF FIRE AND ELECTRICAL SHOCK. FIXTURE MUST BE INSTALLED BY A QUALIFIED ELECTRICIAN ONLY. FIXTURE IS INTENDED FOR INSTALLATION IN ACCORDANCE WITH THE NATIONAL ELECTRICAL CODE, LOCAL AND FEDERAL SPECIFICATIONS. DISCONNECT POWER AT ELECTRICAL PANEL BEFORE SERVICING.

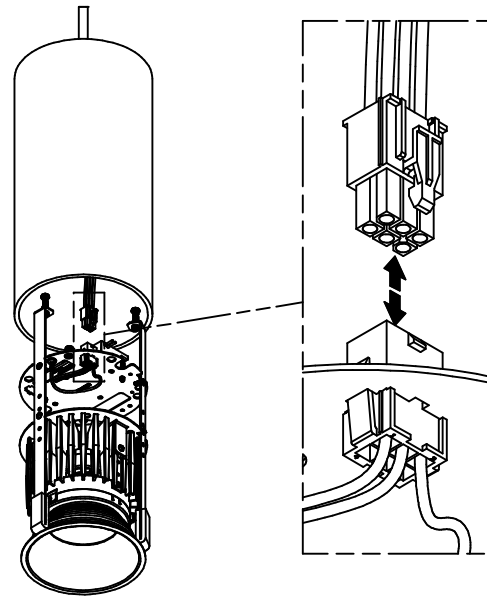
RETAIN THESE INSTRUCTIONS FOR MAINTENANCE REFERENCE.

1 UNFASTEN CORE



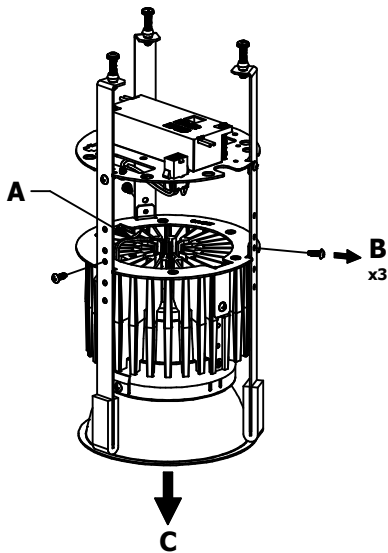
LOOSEN BUT DON'T REMOVE (3x) CORE SCREWS ON TOP OF CYLINDER, ROTATE CORE 90° CLOCKWISE, THEN DROP CORE THROUGH KEYSLOTS WHILE SUPPORTING CORE

2 ISOLATE CORE



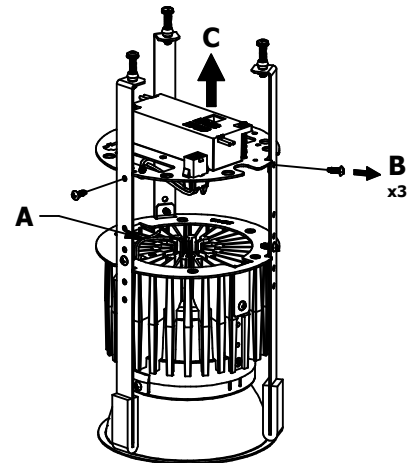
UNDO ELECTRICAL CONNECTION WHILE SUPPORTING CORE

TRIM



A REMOVE (2x) WIRE NUTS BETWEEN TRIM AND DRIVER
B REMOVE (3x) SCREWS FASTENING TRIM TO CORE
C ISOLATE TRIM FROM CORE
 REVERSE STEPS C THROUGH A TO INSTALL TRIM

DRIVER



A REMOVE (2x) WIRE NUTS BETWEEN TRIM AND DRIVER
B REMOVE (3x) SCREWS FASTENING DRIVER TO CORE
C ISOLATE DRIVER FROM CORE
 REVERSE STEPS C THROUGH A TO INSTALL DRIVER