



INSTRUCTION SHEET

ROOK 475 SURFACE MOUNT, INSTALLATION

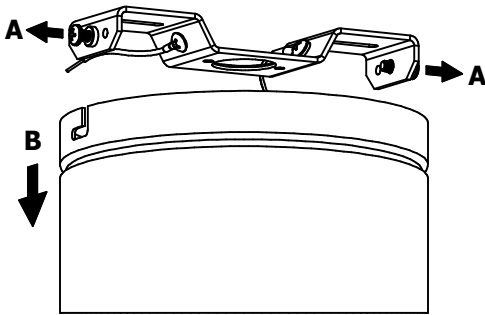
689-0553

PAGE 1 OF 2

WARNING - RISK OF FIRE AND ELECTRICAL SHOCK. FIXTURE MUST BE INSTALLED BY A QUALIFIED ELECTRICIAN ONLY. FIXTURE IS INTENDED FOR INSTALLATION IN ACCORDANCE WITH THE NATIONAL ELECTRICAL CODE, LOCAL AND FEDERAL SPECIFICATIONS. DISCONNECT POWER AT ELECTRICAL PANEL BEFORE SERVICING.

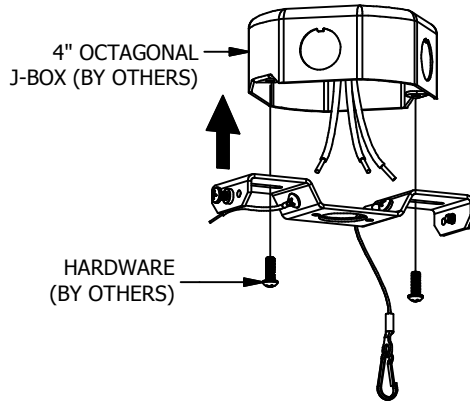
RETAIN THESE INSTRUCTIONS FOR MAINTENANCE REFERENCE.

1 UNFASTEN CROSSBAR



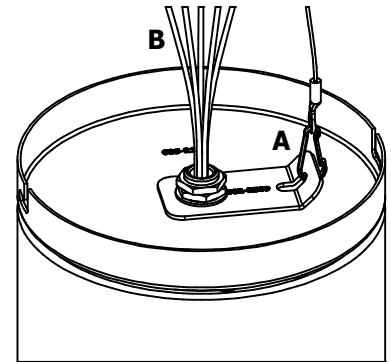
LOOSEN BUT DON'T REMOVE (2x) CANOPY SCREWS, REMOVE LOCK SCREW, THEN TWIST AND REMOVE CROSSBAR

2 MOUNT CROSSBAR



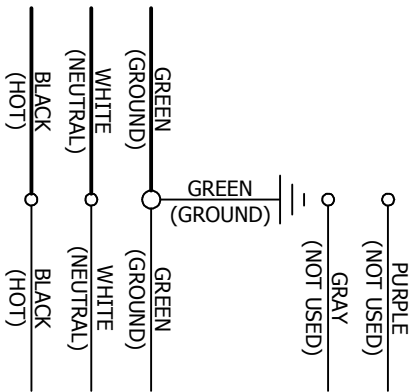
MOUNT CROSSBAR TO 4" OCTAGONAL J-BOX

3 ATTACH SAFETY CHAIN

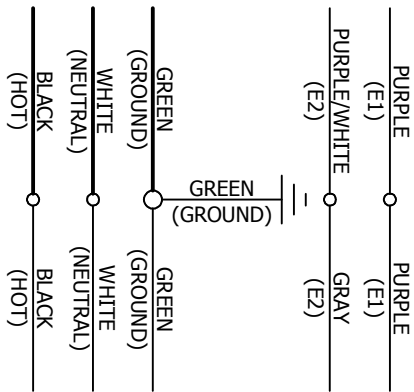


ATTACH SAFETY CHAIN TO BRACKET THEN FEED WIRES THROUGH CENTER OF CROSSBAR

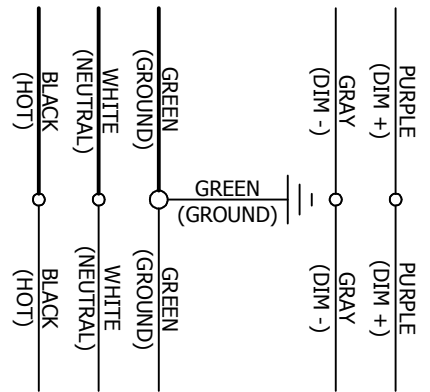
4 WIRE ACCORDING TO LOCAL AND NATIONAL CODE



ELV/ TRIAC

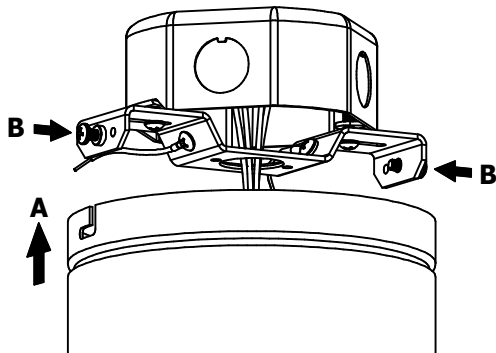


HILUME-ECO



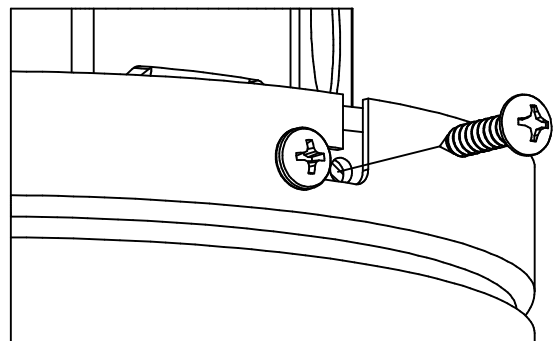
(0-10)V

5 FASTEN CANOPY/CYLINDER



RAISE CANOPY/CYLINDER AND TWIST INTO PLACE, THEN TIGHTEN (2x) CANOPY SCREWS

6 LOCK SCREW



INSTALL LOCK SCREW IN CROSSBAR AS SHOWN

Amerlux, 178 Bauer Drive, Oakland, N.J. 07436, T: 973-882-5010, F: 973-882-2604 www.amerlux.com



INSTRUCTION SHEET

ROOK 475 SURFACE MOUNT, MAINTENANCE

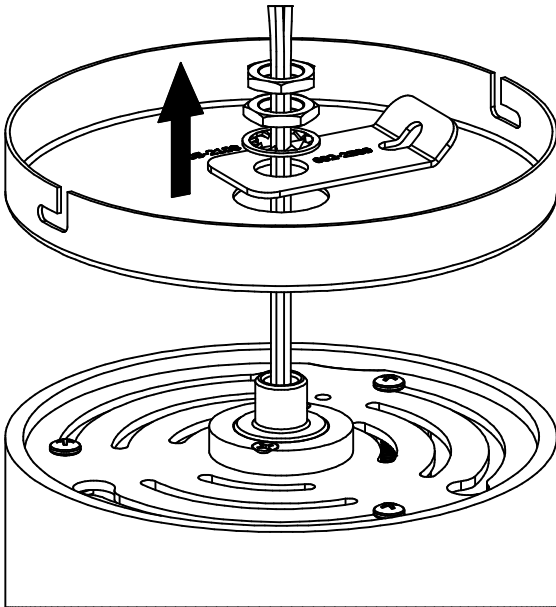
689-0553

PAGE 2 OF 2

WARNING - RISK OF FIRE AND ELECTRICAL SHOCK. FIXTURE MUST BE INSTALLED BY A QUALIFIED ELECTRICIAN ONLY. FIXTURE IS INTENDED FOR INSTALLATION IN ACCORDANCE WITH THE NATIONAL ELECTRICAL CODE, LOCAL AND FEDERAL SPECIFICATIONS. DISCONNECT POWER AT ELECTRICAL PANEL BEFORE SERVICING.

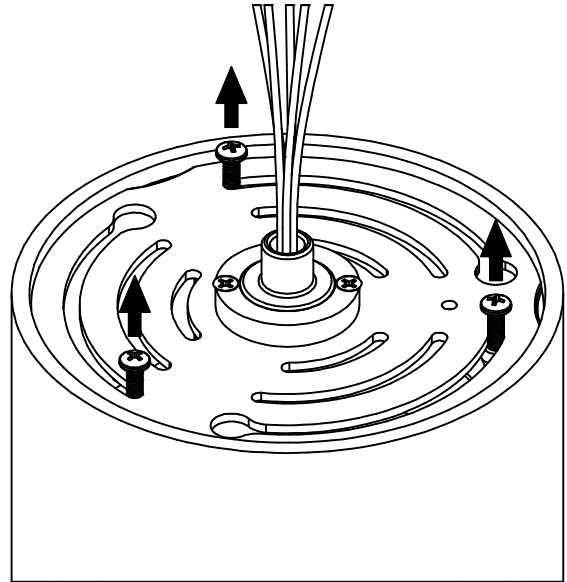
RETAIN THESE INSTRUCTIONS FOR MAINTENANCE REFERENCE.

1 REMOVE CANOPY/HARDWARE



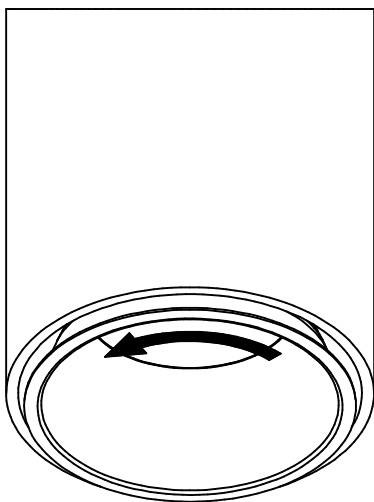
REVERSE INSTALLATION STEPS 6, 5, 4, & 3 THEN LOOSEN & REMOVE (2x) NUTS, (1x) WASHER, (1x) BRACKET & (1x) CANOPY

2 LOOSEN SCREWS



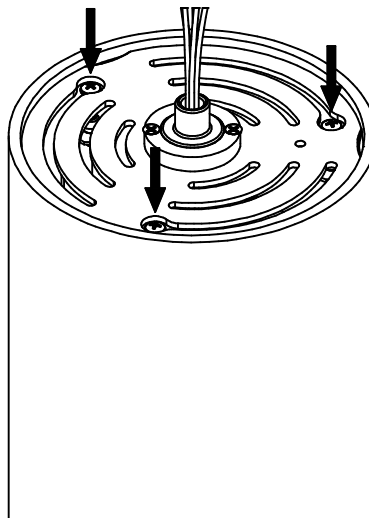
LOOSEN BUT DON'T REMOVE (3x) SCREWS ON TOP OF CYLINDER BY NO MORE THAN 1/2". BOTTOM REFLECTOR FLANGE WILL BE ACCESSIBLE FROM BOTTOM OF CYLINDER

3 TWIST



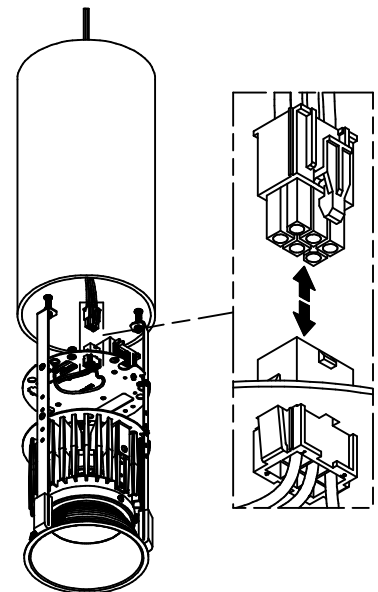
TWIST BOTTOM REFLECTOR 90° COUNTER-CLOCKWISE. ALTERNATIVELY, TWIST TOP SCREWS 90° CLOCKWISE

4 REMOVE FROM CYLINDER



ALIGN SCREW HEADS WITH SLOT KEYHOLES AND, WHILE SUPPORTING BOTTOM REFLECTOR, REMOVE REFLECTOR ASSEMBLY FROM CYLINDER

5 UNDO ELECTRICAL CONN.



WHILE SUPPORTING REFLECTOR ASSEMBLY, UNDO ELECTRICAL CONNECTION AS SHOWN

Amerlux, 178 Bauer Drive, Oakland, N.J. 07436, T: 973-882-5010, F: 973-882-2604 www.amerlux.com