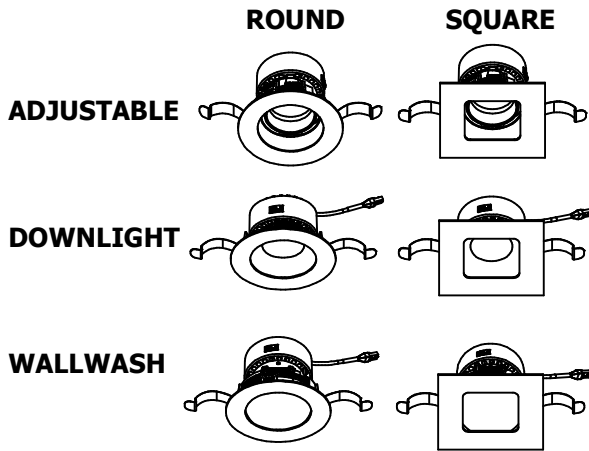
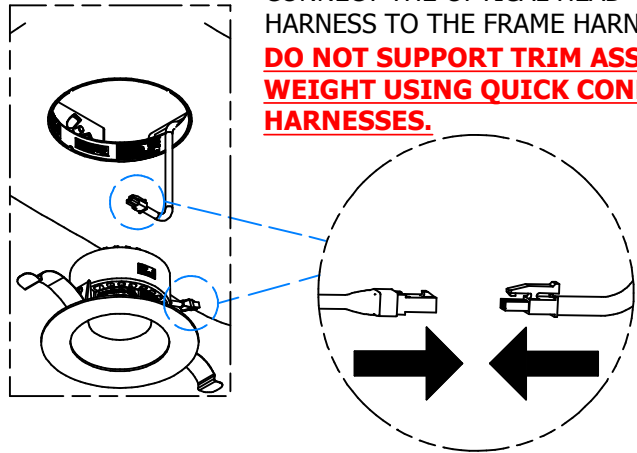


WARNING - RISK OF FIRE AND ELECTRICAL SHOCK. FIXTURE MUST BE INSTALLED BY A QUALIFIED ELECTRICIAN ONLY. FIXTURE IS INTENDED FOR INSTALLATION IN ACCORDANCE WITH THE NATIONAL ELECTRICAL CODE, LOCAL AND FEDERAL SPECIFICATIONS. DISCONNECT POWER AT ELECTRICAL PANEL BEFORE SERVICING. RETAIN THESE INSTRUCTIONS FOR MAINTENANCE REFERENCE.

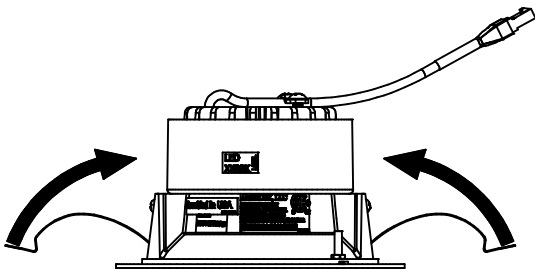


1. MAKE ELECTRICAL CONNECTION

CONNECT THE OPTICAL HEAD HARNESS TO THE FRAME HARNESS. **DO NOT SUPPORT TRIM ASSEMBLY WEIGHT USING QUICK CONNECT HARNESSES.**

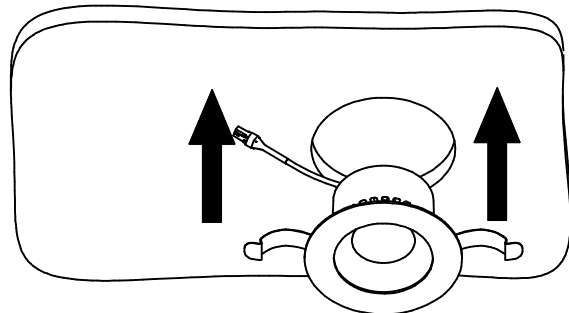


2. SPRING CLIPS



COMPRESS AND HOLD 2X SPRING CLIPS

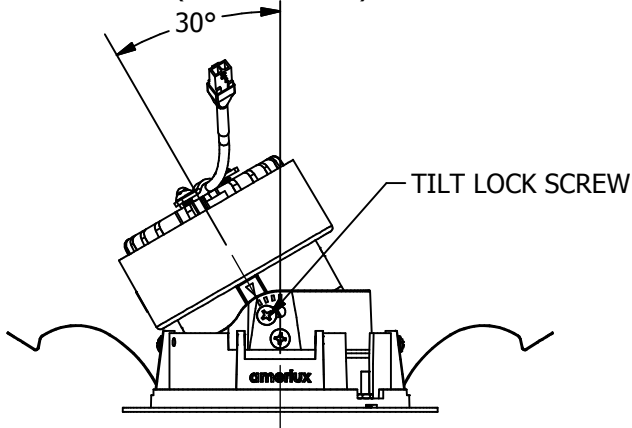
3. INSERT OPTICAL HEAD



INSERT OPTICAL HEAD INTO CEILING CUTOUT

4. TILT ADJUSTMENT

(IF APPLICABLE)



5. ROTATION ADJUSTMENT

(IF APPLICABLE)

