

WARNING - RISK OF FIRE AND ELECTRICAL SHOCK. FIXTURE MUST BE INSTALLED BY A QUALIFIED ELECTRICIAN ONLY. FIXTURE IS INTENDED FOR INSTALLATION IN ACCORDANCE WITH THE NATIONAL ELECTRICAL CODE, LOCAL AND FEDERAL SPECIFICATIONS. DISCONNECT POWER AT ELECTRICAL PANEL BEFORE SERVICING.

RETAIN THESE INSTRUCTIONS FOR MAINTENANCE REFERENCE.

1 APERTURE CUTOUT

STANDARD:

SQUARE: 3-7/16" PER SIDE

ROUND: 3-7/16" DIAMETER

TRIMLESS:

SQUARE: 4-1/16" PER SIDE

ROUND: 4-1/16" DIAMETER

2 WING NUT

LOOSEN WING NUT.

3 ADJUST HANGER BARS

PULL OUT HANGER BARS TO APPROPRIATE DISTANCES.

4 T-SLOT NOTCHES

NOTCHES ARE PROVIDED FOR STANDARD T-BAR TYPE CEILING GRIDS.

5 FASTEN HANGER BARS

FASTEN HANGER BARS TO STRUCTURAL MEMBERS (HARDWARE BY OTHERS).
TIGHTEN WING NUT.

6 HEIGHT ADJUSTMENT

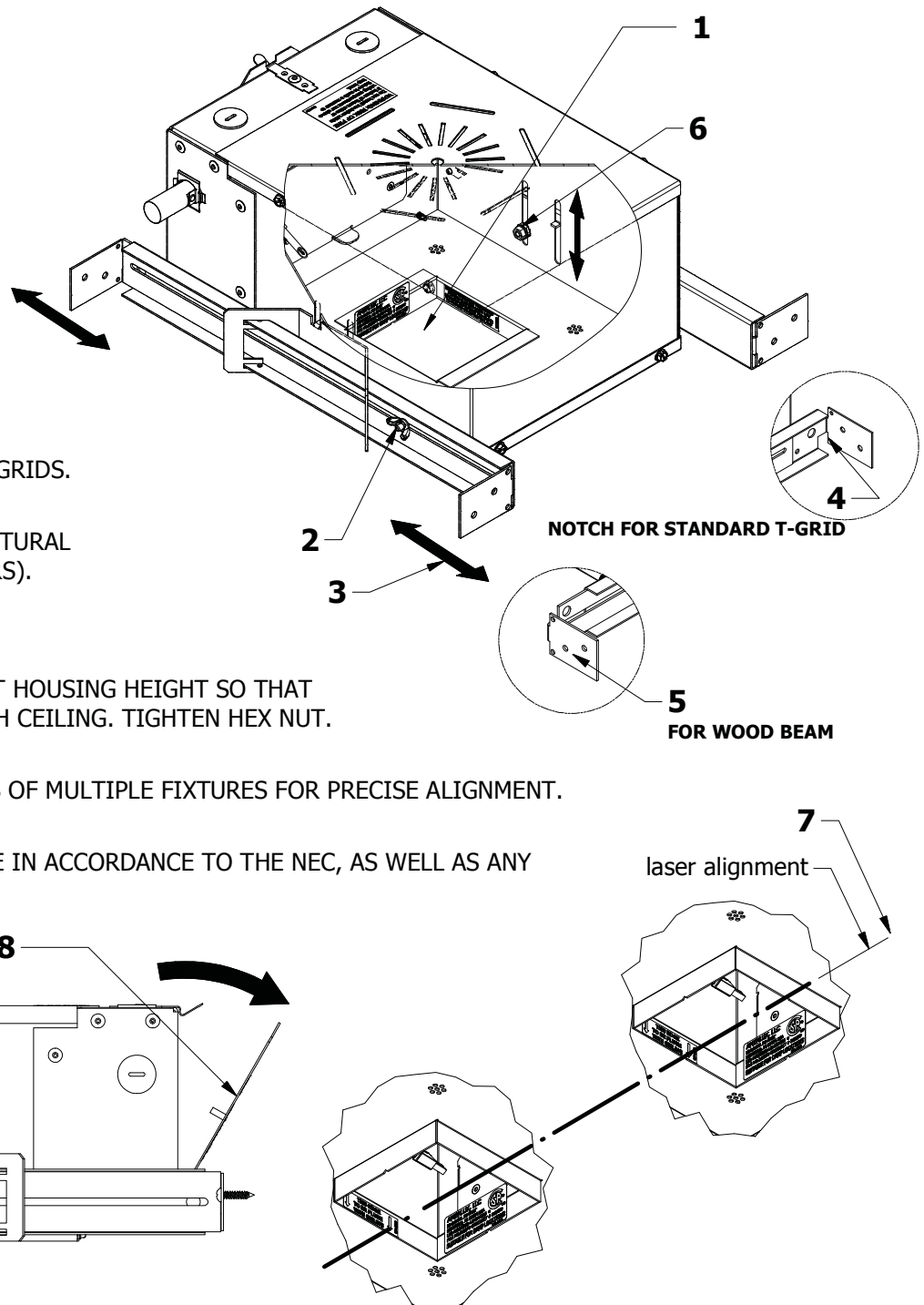
LOOSEN HEX NUT (5/16). ADJUST HOUSING HEIGHT SO THAT APERATURE EDGE IS FLUSH WITH CEILING. TIGHTEN HEX NUT.

7 MULTIPLE FIXTURE ALIGNMENT

USING A LASER, ALIGN NOTCHES OF MULTIPLE FIXTURES FOR PRECISE ALIGNMENT.

8 WIRING

REMOVE J-BOX COVER AND WIRE IN ACCORDANCE TO THE NEC, AS WELL AS ANY APPLICABLE LOCAL CODES.

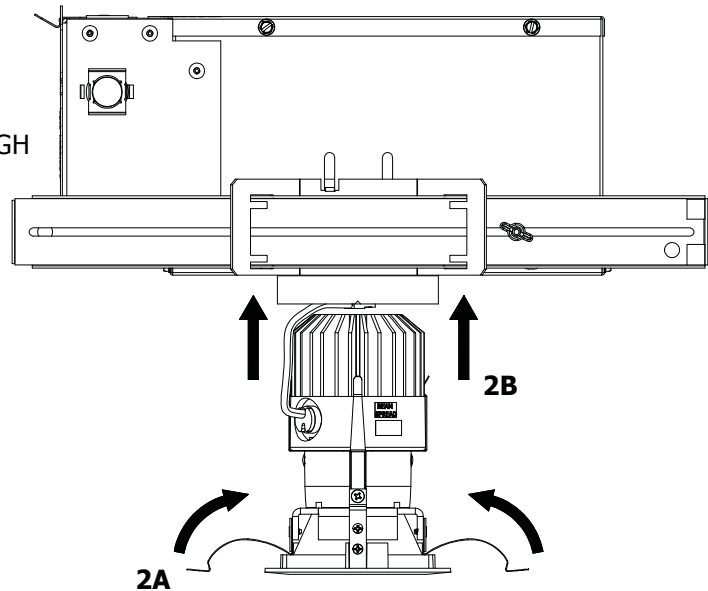
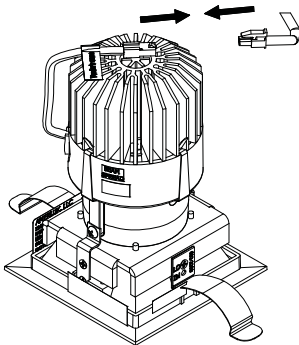


WARNING - RISK OF FIRE AND ELECTRICAL SHOCK. FIXTURE MUST BE INSTALLED BY A QUALIFIED ELECTRICIAN ONLY. FIXTURE IS INTENDED FOR INSTALLATION IN ACCORDANCE WITH THE NATIONAL ELECTRICAL CODE, LOCAL AND FEDERAL SPECIFICATIONS. DISCONNECT POWER AT ELECTRICAL PANEL BEFORE SERVICING.

RETAIN THESE INSTRUCTIONS FOR MAINTENANCE REFERENCE.

TRIM INSTALLATION

1. CONNECT WIRE HARNESS. DO NOT LET OPTICAL HEAD HANG FROM WIRE HARNESS. INJURY OR DAMAGE TO OPTICAL HEAD MAY OCCUR.
2. SQUEEZE TORSION SPRING, AND RAISE TRIM THROUGH APERTURE OPENING.



DRIVER PLATE ACCESS AND MAINTENANCE

1. REMOVE TRIM
2. SLIDE TAB DOWNWARDS AND AWAY FROM DRIVER PLATE
3. PULL DRIVER PLATE AWAY FROM HOUSING

