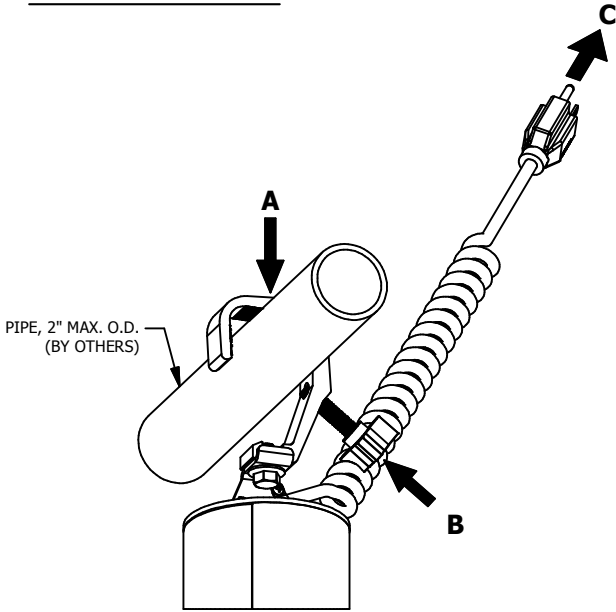


WARNING - RISK OF FIRE AND ELECTRICAL SHOCK. FIXTURE MUST BE INSTALLED BY A QUALIFIED ELECTRICIAN ONLY. FIXTURE IS INTENDED FOR INSTALLATION IN ACCORDANCE WITH THE NATIONAL ELECTRICAL CODE, LOCAL AND FEDERAL SPECIFICATIONS. DISCONNECT POWER AT ELECTRICAL PANEL BEFORE SERVICING.

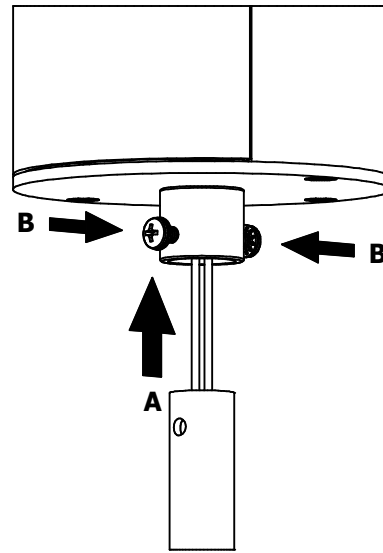
RETAIN THESE INSTRUCTIONS FOR MAINTENANCE REFERENCE.

1 MOUNT FIXTURE



HOOK C-CLAMP ON PIPE, TIGHTEN SCREW, THEN PLUG IN FIXTURE

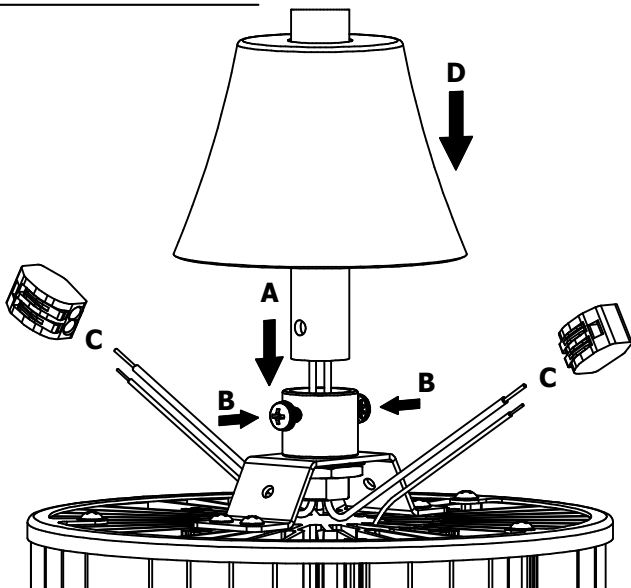
2 ATTACH STEM



A FEED DRIVER HOUSING WIRES THROUGH STEM AND INSERT STEM INTO TOP HUB

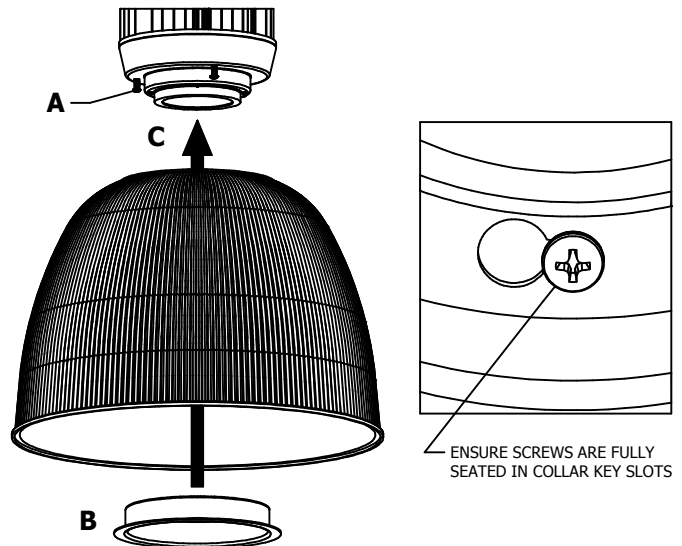
B ALIGN (2x) STEM HOLES WITH (2x) SCREWS THEN TIGHTEN SCREWS

3 ATTACH MODULE



A FEED STEM WIRES THROUGH BOTTOM HUB AND INSERT STEM
B ALIGN (2x) STEM HOLES WITH (2x) SCREWS THEN TIGHTEN SCREWS
C CONNECT RED-RED AND BLACK-BLACK WIRES WITH WAGOS
D COVER WIRE CONNECTIONS WITH SPLICE COVER

4 ATTACH REFRACTOR



A LOOSEN BUT DON'T REMOVE (3x) SCREWS

B TWIST AND REMOVE REFRACTOR COLLAR

C PLACE COLLAR INSIDE REFRACTOR AND REVERSE STEPS B & A, ENSURING SCREWS ARE TIGHT AND REFRACTOR IS SECURE

ENSURE SCREWS ARE FULLY SEATED IN COLLAR KEY SLOTS



INSTRUCTION SHEET

NITRO A16 C-CLAMP MOUNT, MAINTENANCE

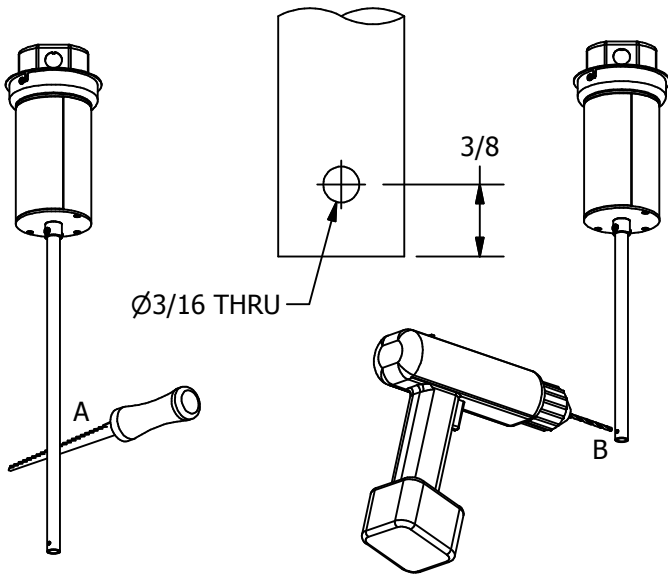
689-6014

PAGE 2 OF 2

WARNING - RISK OF FIRE AND ELECTRICAL SHOCK. FIXTURE MUST BE INSTALLED BY A QUALIFIED ELECTRICIAN ONLY. FIXTURE IS INTENDED FOR INSTALLATION IN ACCORDANCE WITH THE NATIONAL ELECTRICAL CODE, LOCAL AND FEDERAL SPECIFICATIONS. DISCONNECT POWER AT ELECTRICAL PANEL BEFORE SERVICING.

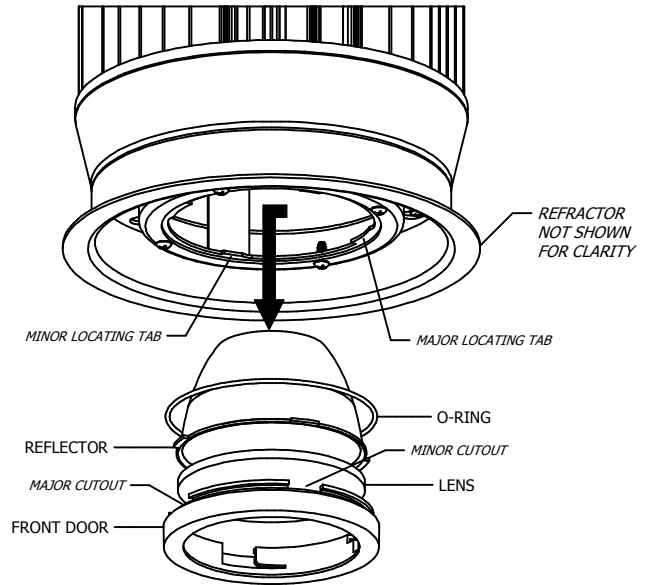
RETAIN THESE INSTRUCTIONS FOR MAINTENANCE REFERENCE.

HEIGHT ADJUSTMENT



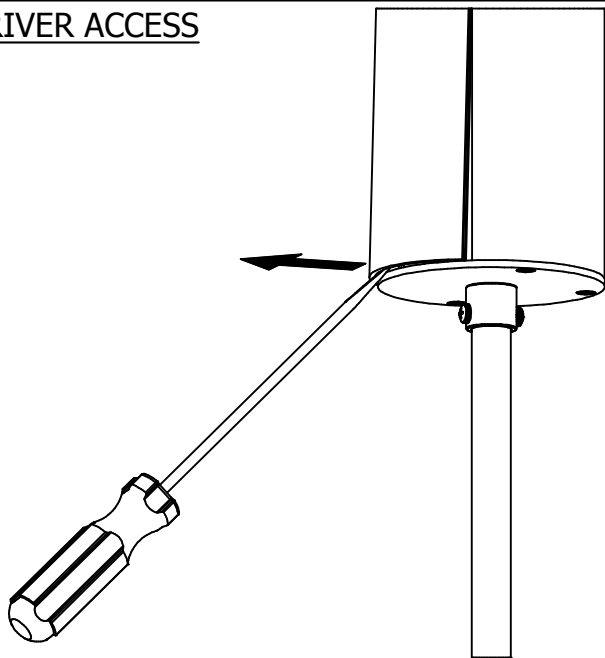
REVERSE INSTALLATION STEPS 6 & 5. CUT STEM TO DESIRED LENGTH AND DRILL A Ø3/16 HOLE THRU STEM 3/8" FROM BOTTOM. REPEAT STEPS 5 & 6

BEAM SPREAD



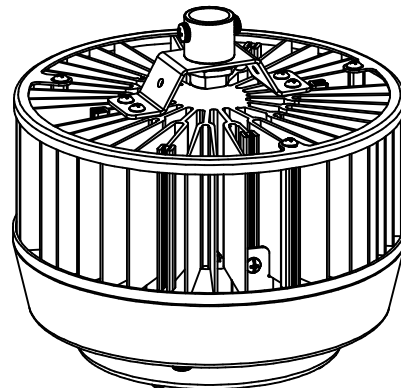
TURN FRONT DOOR COUNTER-CLOCKWISE FROM BOTTOM TO UNLOCK AND REMOVE FRONT DOOR ASSEMBLY. TO RE-INSTALL, LOCATE FRONT DOOR CUTOUTS TO LOCATING TABS AND TWIST INTO PLACE

DRIVER ACCESS



WEDGE A FLAT HAD SCREW DRIVER BETWEEN DRIVER HOUSING DOOR AND BOTTOM END PLATE TO PRY DOOR OPEN

LED



REVERSE INSTALLATION STEPS 6 & 5 TO ISOLATE MODULE. REMOVE BEAM SPREAD ASSEMBLY. CONTACT AMERLUX FOR REPAIR OR REPLACEMENT

Amerlux, 178 Bauer Drive, Oakland, N.J. 07436, T: 973-882-5010, F: 973-882-2604 www.amerlux.com