



# INSTRUCTION SHEET

## ROOK 350 A17 CANOPY/CORD INSTALLATION

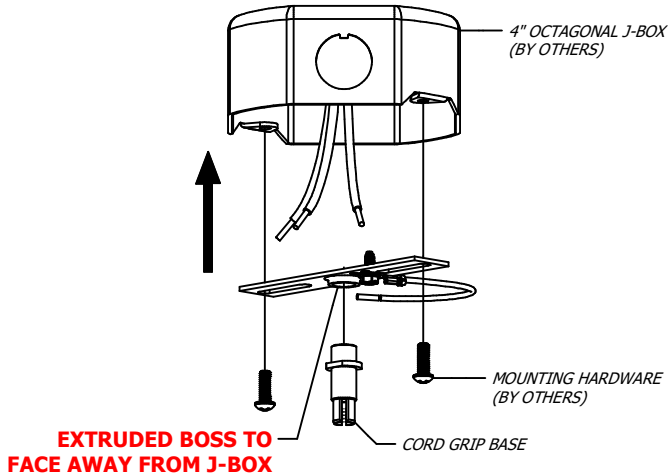
689-0621

PAGE 1 OF 1

**WARNING - RISK OF FIRE AND ELECTRICAL SHOCK. FIXTURE MUST BE INSTALLED BY A QUALIFIED ELECTRICIAN ONLY. FIXTURE IS INTENDED FOR INSTALLATION IN ACCORDANCE WITH THE NATIONAL ELECTRICAL CODE, LOCAL AND FEDERAL SPECIFICATIONS. DISCONNECT POWER AT ELECTRICAL PANEL BEFORE SERVICING.**

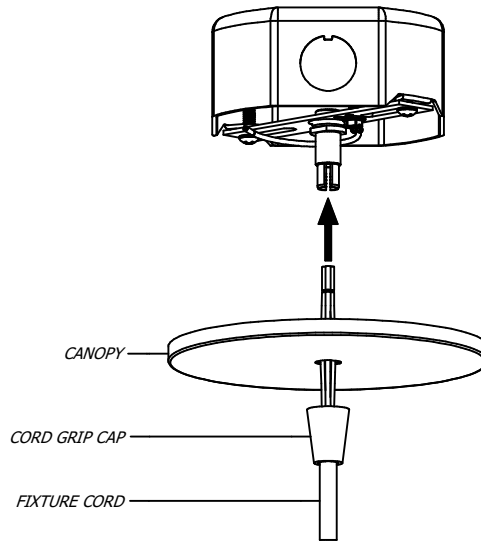
**RETAIN THESE INSTRUCTIONS FOR MAINTENANCE REFERENCE.**

### 1 MOUNT CROSSBAR



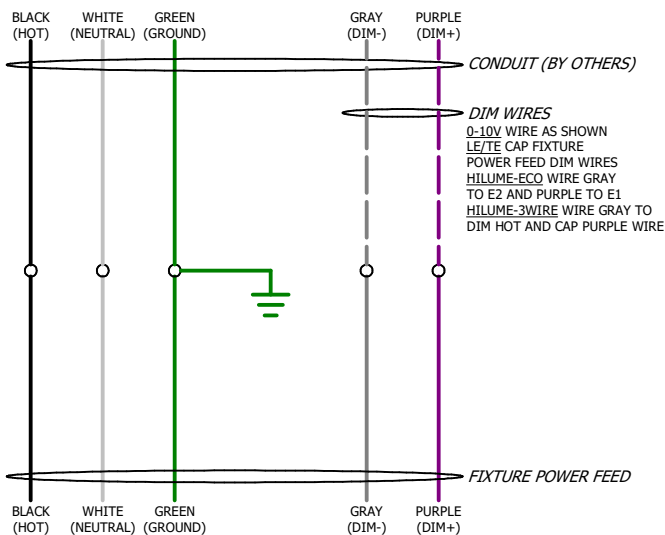
MOUNT KIT CROSSBAR TO J-BOX WITH HARDWARE (BY OTHERS), THEN THREAD CORD GRIP BASE INTO CROSSBAR

### 2 FEED CORD



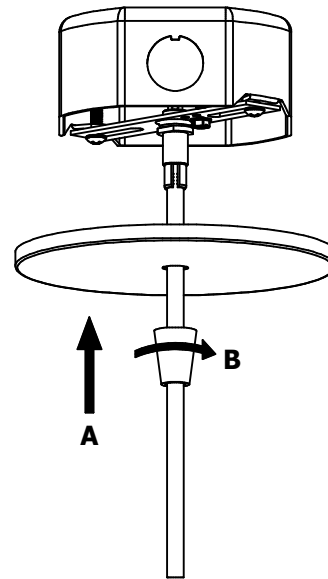
FEED FIXTURE CORD THROUGH CORD GRIP CAP, THEN CANOPY, THEN THROUGH CORD GRIP BASE, ADJUSTING FIXTURE OVERALL LENGTH (OAL)

### 3 WIRE



WIRE ACCORDING TO LOCAL AND NATIONAL CODE. CUT AND STRIP AS NEEDED. CAP UNUSED WIRES.

### 4 ATTACH CANOPY



RAISE CORD GRIP CAP AND THREAD ONTO CORD GRIP BASE

Amerlux, 178 Bauer Drive, Oakland, N.J. 07436, T: 973-882-5010, F: 973-882-2604 www.amerlux.com