



INSTRUCTION SHEET

ROOK 350 ROUND/SQUARE CANOPY/CORD INSTALLATION

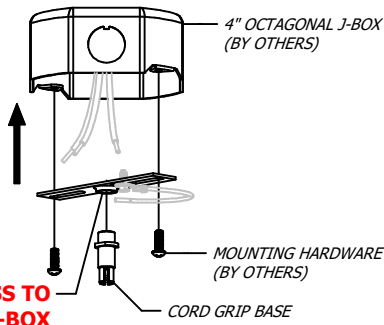
689-0621

PAGE 1 OF 1

WARNING - RISK OF FIRE AND ELECTRICAL SHOCK. FIXTURE MUST BE INSTALLED BY A QUALIFIED ELECTRICIAN ONLY. FIXTURE IS INTENDED FOR INSTALLATION IN ACCORDANCE WITH THE NATIONAL ELECTRICAL CODE, LOCAL AND FEDERAL SPECIFICATIONS. DISCONNECT POWER AT ELECTRICAL PANEL BEFORE SERVICING.

RETAIN THESE INSTRUCTIONS FOR MAINTENANCE REFERENCE.

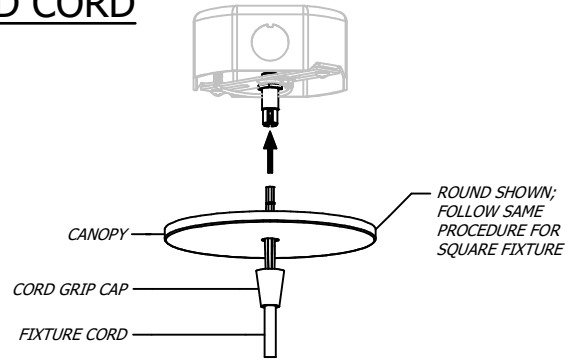
1 MOUNT CROSSBAR



EXTRUDED BOSS TO FACE AWAY FROM J-BOX

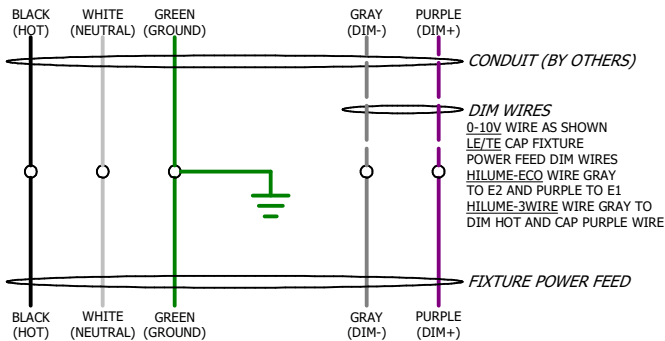
MOUNT KIT CROSSBAR TO J-BOX WITH HARDWARE (BY OTHERS), THEN THREAD CORD GRIP BASE INTO CROSSBAR

2 FEED CORD



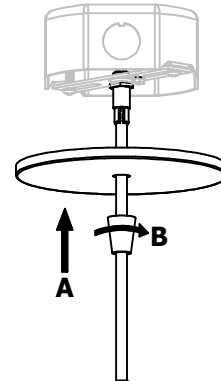
FEED FIXTURE CORD THROUGH CORD GRIP CAP, THEN CANOPY, THEN THROUGH CORD GRIP BASE, ADJUSTING FIXTURE OVERALL LENGTH (OAL)

3 WIRE



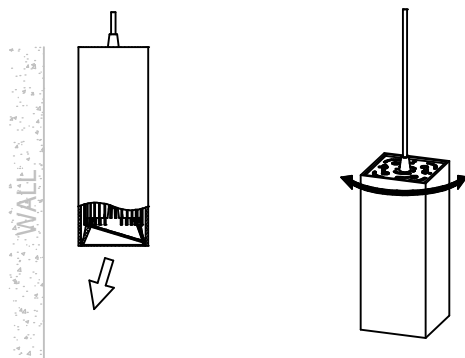
WIRE ACCORDING TO LOCAL AND NATIONAL CODE. CUT AND STRIP AS NEEDED. CAP UNUSED WIRES.

4 ATTACH CANOPY



RAISE CORD GRIP CAP AND THREAD ONTO CORD GRIP BASE

5 ALIGN HOUSING*



IF FIXTURE HAS WALL WASH TRIM AND/OR SQUARE HOUSING, ALIGN HOUSING BY HOLDING CORD THEN ROTATING HOUSING

Amerlux, 178 Bauer Drive, Oakland, N.J. 07436, T: 973-882-5010, F: 973-882-2604 www.amerlux.com