

**INSTRUCTION SHEET**



**689-0622**

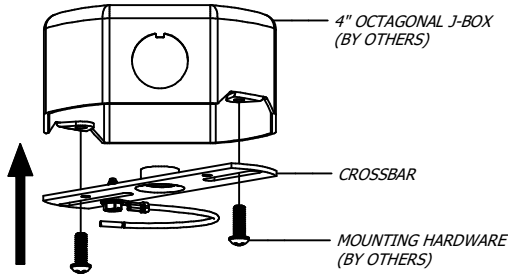
**ROOK 350 A17 RIGID STEM INSTALLATION**

PAGE 1 OF 1

**WARNING - RISK OF FIRE AND ELECTRICAL SHOCK. FIXTURE MUST BE INSTALLED BY A QUALIFIED ELECTRICIAN ONLY. FIXTURE IS INTENDED FOR INSTALLATION IN ACCORDANCE WITH THE NATIONAL ELECTRICAL CODE, LOCAL AND FEDERAL SPECIFICATIONS. DISCONNECT POWER AT ELECTRICAL PANEL BEFORE SERVICING.**

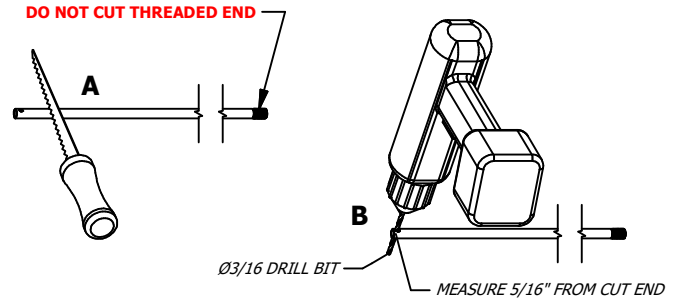
**RETAIN THESE INSTRUCTIONS FOR MAINTENANCE REFERENCE.**

**1 MOUNT CROSSBAR**



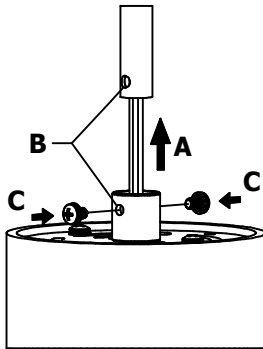
MOUNT KIT CROSSBAR TO J-BOX WITH HARDWARE (BY OTHERS)

**2 CUT STEM TO LENGTH**



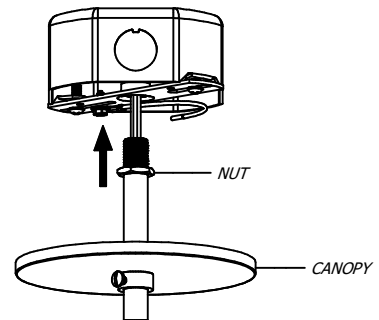
IF NECESSARY, CUT END WITH THRU HOLE TO DESIRED LENGTH, THEN DRILL A Ø3/16" THRU HOLE 5/16" FROM END

**3 ATTACH FIXTURE TO STEM**



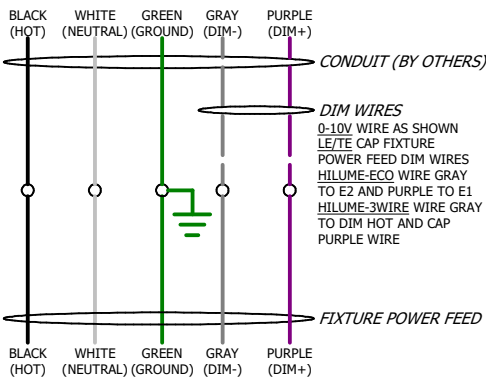
FEED FIXTURE HARNESS THROUGH STEM, ALIGN STEM HOLES TO (2x) HUB SCREWS, THEN TIGHTEN SCREWS

**4 ATTACH STEM TO CROSSBAR**



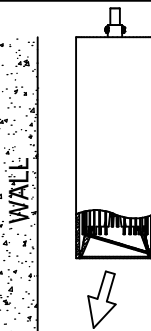
SLIP CANOPY ONTO STEM, THREAD NUT ONTO STEM, FEED HARNESS THROUGH CROSSBAR, THREAD STEM INTO CROSSBAR, THEN TIGHTEN NUT

**5 WIRE**



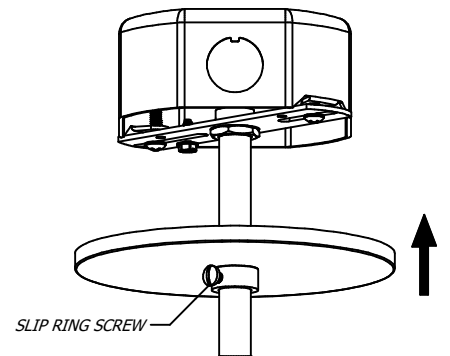
WIRE ACCORDING TO LOCAL AND NATIONAL CODE. CUT AND STRIP AS NEEDED. CAP UNUSED WIRES.

**6 ALIGN RLW HOUSING\***



IF FIXTURE IS RLW (WALL WASH), ALIGN TRIM TO WALL BY ADJUSTING STEM THREAD IN CROSSBAR (STEP 4)

**7 SECURE CANOPY**



RAISE CANOPY TO J-BOX THEN TIGHTEN SLIP RING SCREW

Amerlux, 178 Bauer Drive, Oakland, N.J. 07436, T: 973-882-5010, F: 973-882-2604 www.amerlux.com