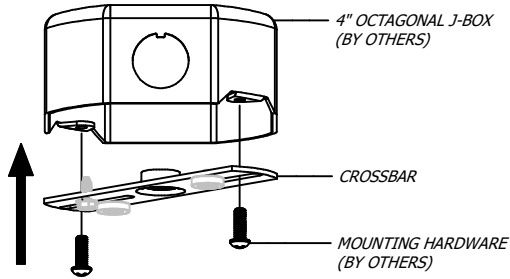


WARNING - RISK OF FIRE AND ELECTRICAL SHOCK. FIXTURE MUST BE INSTALLED BY A QUALIFIED ELECTRICIAN ONLY. FIXTURE IS INTENDED FOR INSTALLATION IN ACCORDANCE WITH THE NATIONAL ELECTRICAL CODE, LOCAL AND FEDERAL SPECIFICATIONS. DISCONNECT POWER AT ELECTRICAL PANEL BEFORE SERVICING.

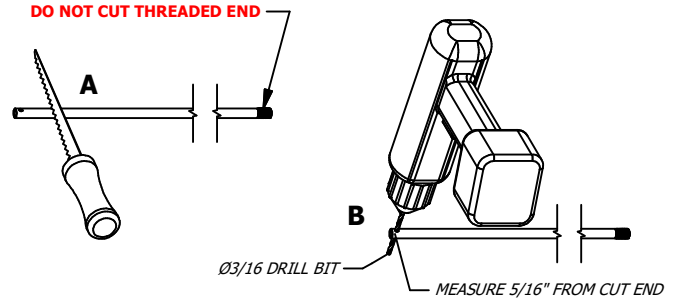
RETAIN THESE INSTRUCTIONS FOR MAINTENANCE REFERENCE.

1 MOUNT CROSSBAR



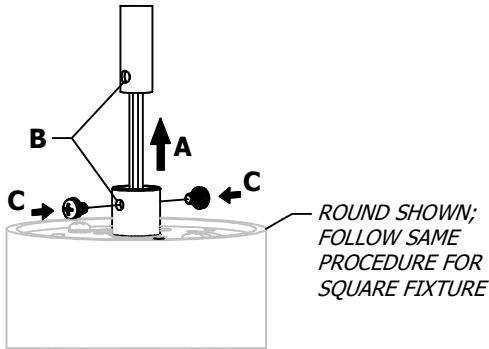
MOUNT KIT CROSSBAR TO J-BOX WITH HARDWARE (BY OTHERS)

2 CUT STEM TO LENGTH*



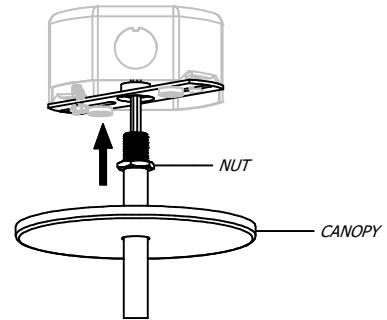
IF NECESSARY, CUT END WITH THRU HOLE TO DESIRED LENGTH, THEN DRILL A Ø3/16" THRU HOLE 5/16" FROM END

3 ATTACH FIXTURE TO STEM



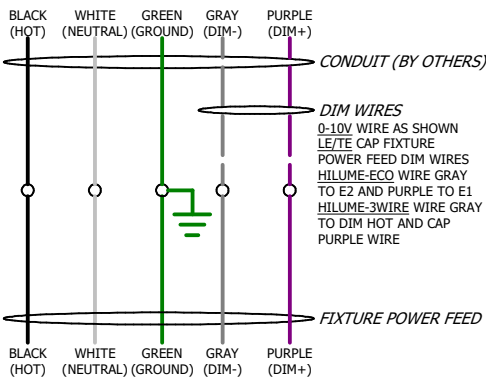
FEED FIXTURE HARNESS THROUGH STEM, ALIGN STEM HOLES TO (2x) HUB SCREWS, THEN TIGHTEN SCREWS

4 ATTACH STEM TO CROSSBAR



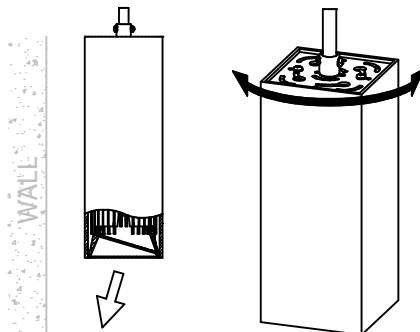
SLIP CANOPY ONTO STEM, THREAD NUT ONTO STEM, FEED HARNESS THROUGH CROSSBAR, THREAD STEM INTO CROSSBAR, THEN TIGHTEN NUT

5 WIRE



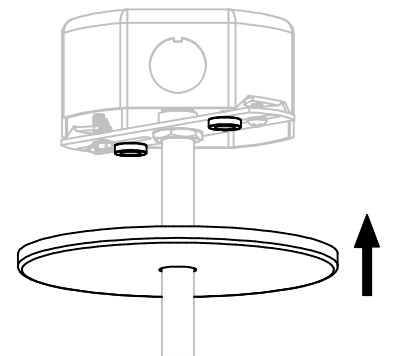
WIRE ACCORDING TO LOCAL AND NATIONAL CODE. CUT AND STRIP AS NEEDED. CAP UNUSED WIRES.

6 ALIGN HOUSING*



IF FIXTURE HAS WALL WASH TRIM AND/OR SQUARE HOUSING, ALIGN HOUSING BY HOLDING STEM THEN ROTATING HOUSING

7 SECURE CANOPY



RAISE CANOPY TO MAGNETIC CROSSBAR