



# INSTRUCTION SHEET

## ROOK 350 A17 SURFACE MOUNT INSTALLATION

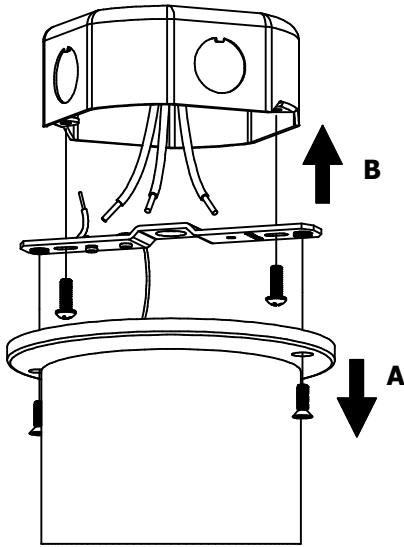
689-0624

PAGE 1 OF 1

**WARNING - RISK OF FIRE AND ELECTRICAL SHOCK. FIXTURE MUST BE INSTALLED BY A QUALIFIED ELECTRICIAN ONLY. FIXTURE IS INTENDED FOR INSTALLATION IN ACCORDANCE WITH THE NATIONAL ELECTRICAL CODE, LOCAL AND FEDERAL SPECIFICATIONS. DISCONNECT POWER AT ELECTRICAL PANEL BEFORE SERVICING.**

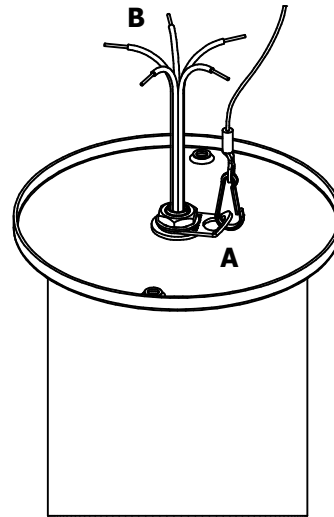
**RETAIN THESE INSTRUCTIONS FOR MAINTENANCE REFERENCE.**

### 1 MOUNT CROSSBAR



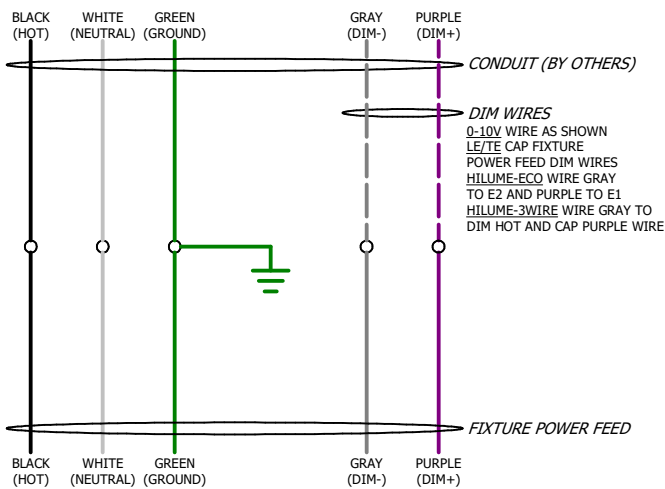
UNSCREW (2x) 8-32 FLAT HEAD SCREWS THEN ATTACH CROSSBAR TO J-BOX WITH HARDWARE (BY OTHERS)

### 2 ATTACH SAFETY CABLE



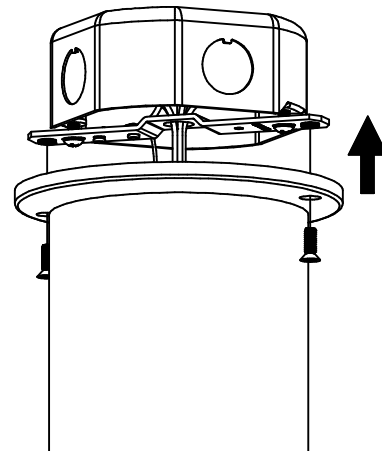
HOOK SAFETY CABLE CLIP ONTO CANOPY BRACKET, THEN FEED HARNESS THROUGH CROSSBAR CENTER HOLE

### 3 WIRE



WIRE ACCORDING TO LOCAL AND NATIONAL CODE. CAP ANY UNUSED WIRES

### 4 ATTACH CANOPY/FIXTURE



FASTEN FIXTURE TO CROSSBAR WITH (2x) 8-32 SCREWS

Amerlux, 178 Bauer Drive, Oakland, N.J. 07436, T: 973-882-5010, F: 973-882-2604 [www.amerlux.com](http://www.amerlux.com)