

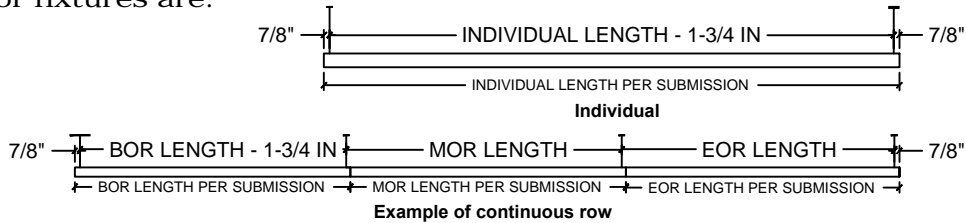


Lin1.5 Mini Direct/Indirect LED (Remote Driver)

WARNING - RISK OF FIRE AND ELECTRICAL SHOCK. FIXTURE MUST BE INSTALLED BY A QUALIFIED ELECTRICIAN ONLY. FIXTURE IS INTENDED FOR INSTALLATION IN ACCORDANCE WITH THE NATIONAL ELECTRICAL CODE, LOCAL AND FEDERAL SPECIFICATIONS. DISCONNECT POWER AT ELECTRICAL PANEL BEFORE SERVICING .
RETAIN THESE INSTRUCTIONS FOR MAINTENANCE REFERENCE.

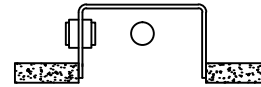
Suspension Points for fixtures are:

CAUTION: Maximum distance between suspension point in Lin1.5MDI cannot exceed 8'



Refer to general contractor/ electrician layout for proper location of mounting points/ locations for junction boxes.

- 1. Install junction box(es) - The junction box should be regressed as shown to make sure that the canopy cover sits flush with the ceiling when install is finished.

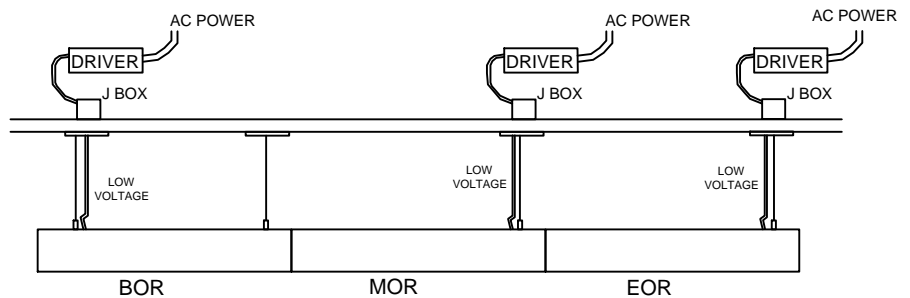
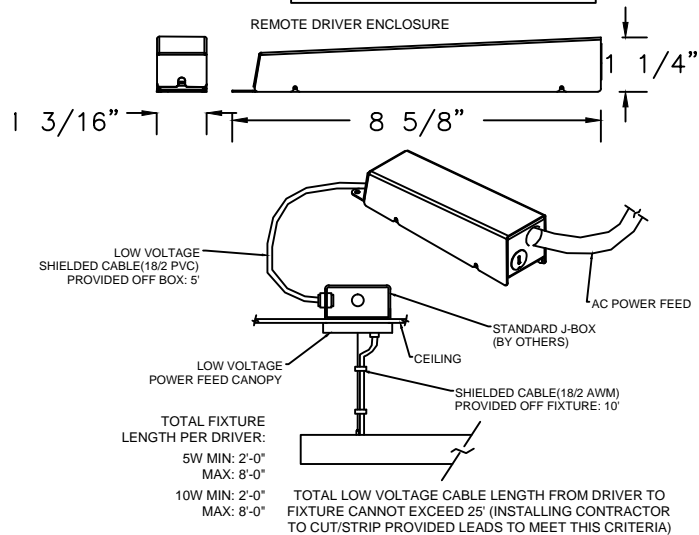


2. Single Feed Remote Driver

- 1. Turn off power at panel.
- 2. In an accessible location, secure remote Driver Enclosure to structure within 5' of J Box above fixture.
- 3. Connect AC power supply to driver according to National and Local electrical codes. Note: Driver Enclosure is pre-wired with 5' of plenum rated cord.
- 4. Fixture is pre-wired at factory with 10' of cord. Run cord from fixture to J-Box above. Measure, cut, and strip for final connection in J Box above fixture. see page 2 for details.

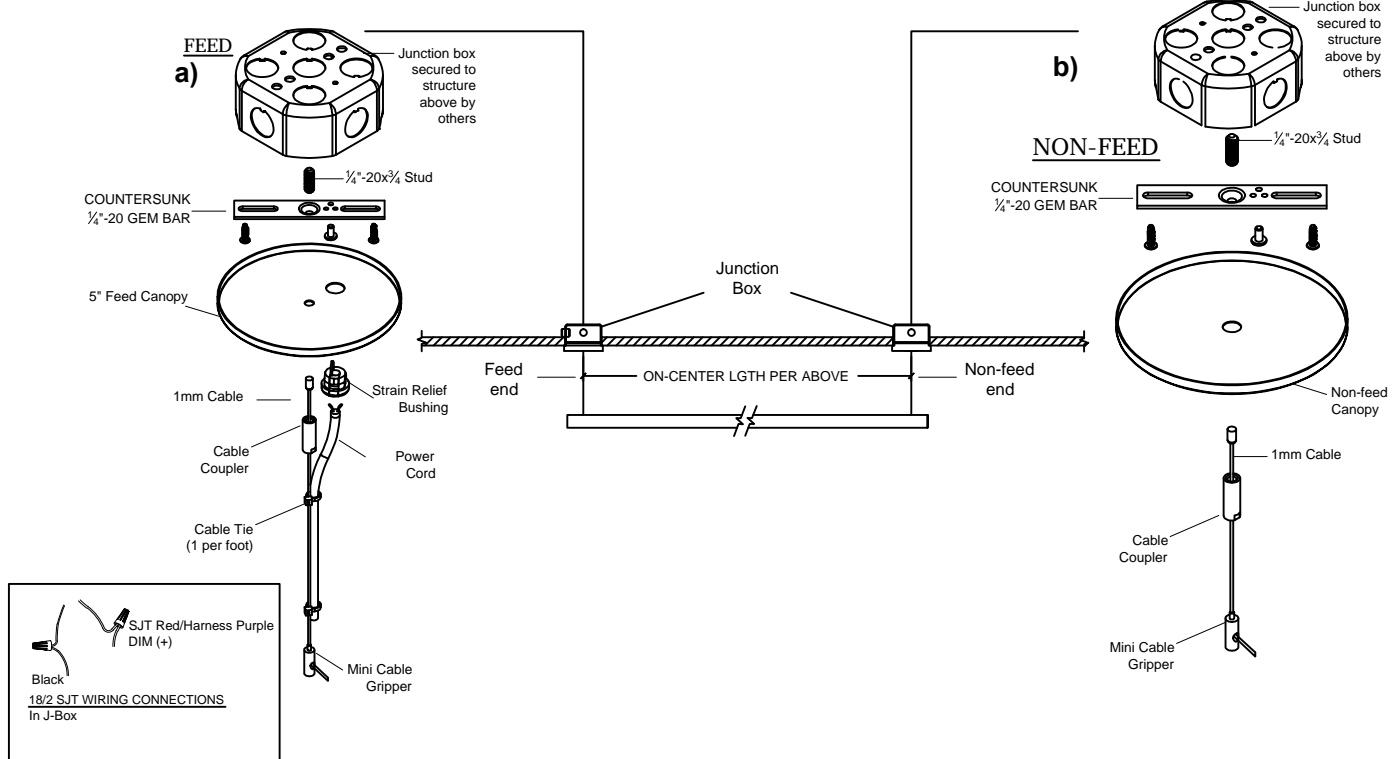
Note: The driver box must be placed in an accessible area.

SEE JOB DOCUMENTATION (LTP DRAWING) FOR LOCATION(S) OF DRIVERS AND CORRESPONDING FIXTURES

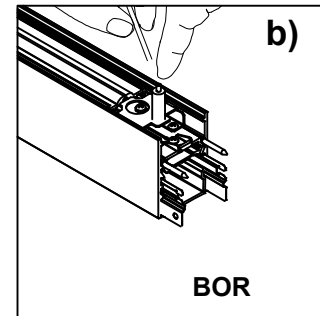
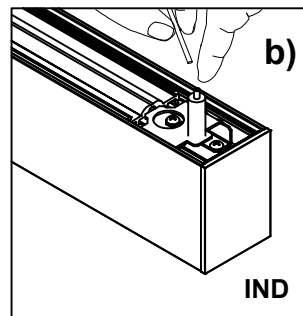
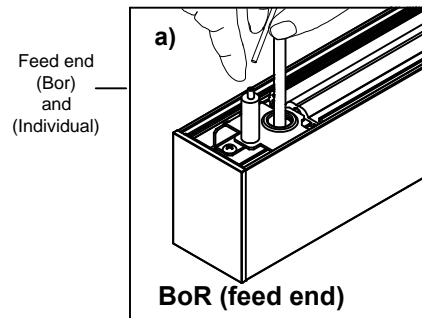




3. Individual and Beginning of Run (BoR) Install:



1. At feed end of BoR, thread cable through 5" Canopy (with 2nd hole) & coupler. Insert Cable into Gripper (see a).
2. At non-feed end of BoR, thread Cable through 5" Canopy & Coupler. Insert Cable into Gripper (see b).
3. Level fixture by adjusting cable at fixture end.
4. Run cord from fixture to J Box. Cut, and strip for final connections in J Box above fixture. See #4 page 1



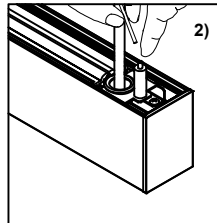
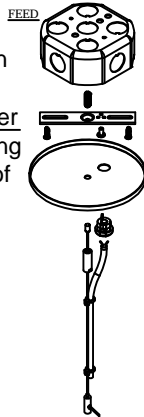
MAKE SURE TO DISCONNECT ALL ELECTRICAL CONNECTIONS BEFORE ACCESSING LED.



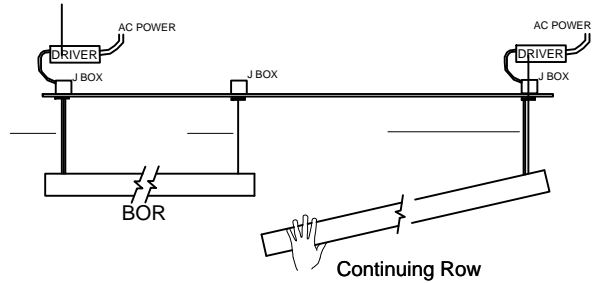
4. Assembling Continuous Rows:

a. Hang MoR/EoR:

Hang MoR/EoR as shown on page 2, BoR should be self supporting. Hang feed hanger on far end of MoR/EoR, swing up to join on non Feed end of BoR

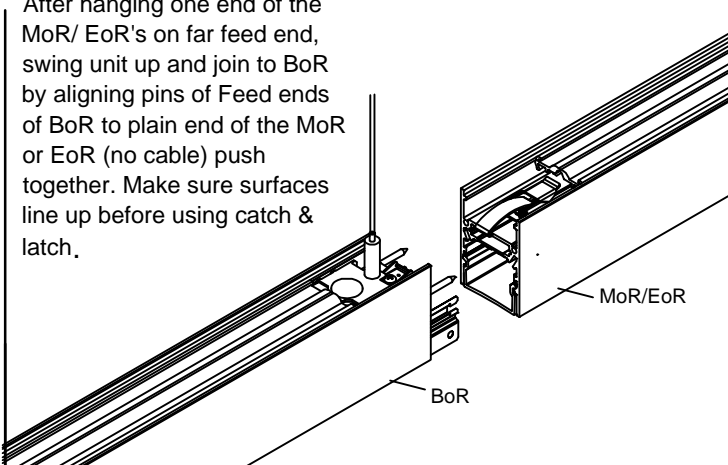


Single hanger on MoR/EoR (EoR shown here). Typically with feed. Hang to suspension cable as detailed in Item 2.



b. BoR to MoR/EoR:

After hanging one end of the MoR/ EoR's on far feed end, swing unit up and join to BoR by aligning pins of Feed ends of BoR to plain end of the MoR or EoR (no cable) push together. Make sure surfaces line up before using catch & latch.

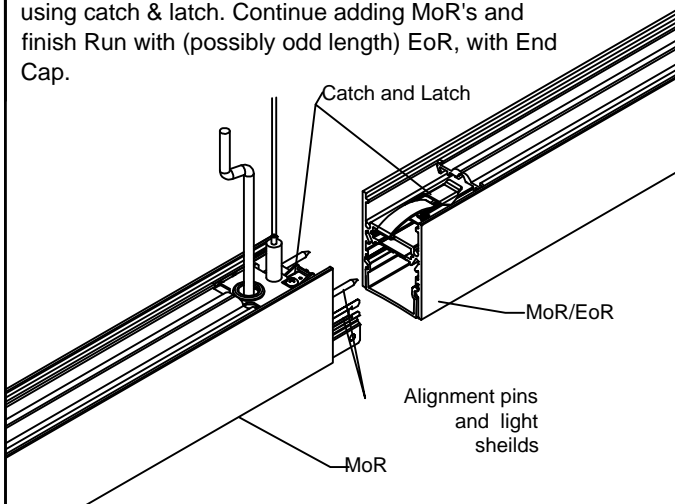


Joining the Housings

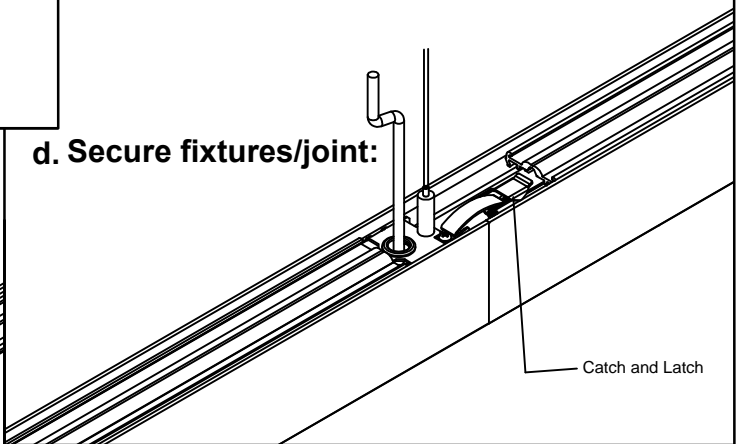
Line up the two housings by using the alignment pins and light leak shields. Secure them together by using the Catch and Latch System on the top of the extrusion.

c. MoR to MoR/EoR:

After hanging one end, (far feed end) of MoR/EoR, swing unit up and join to MoR by aligning pins and push together. Make sure surfaces line up before using catch & latch. Continue adding MoR's and finish Run with (possibly odd length) EoR, with End Cap.



d. Secure fixtures/joint:



MAKE SURE TO DISCONNECT ALL ELECTRICAL CONNECTIONS BEFORE ACCESSING LED.

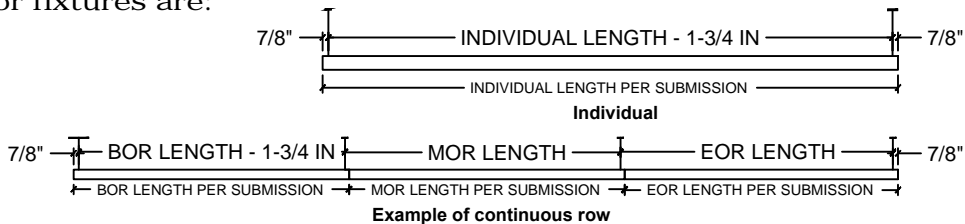


Lin1.5 Mini Direct/Indirect LED (Remote Driver)

WARNING - RISK OF FIRE AND ELECTRICAL SHOCK. FIXTURE MUST BE INSTALLED BY A QUALIFIED ELECTRICIAN ONLY. FIXTURE IS INTENDED FOR INSTALLATION IN ACCORDANCE WITH THE NATIONAL ELECTRICAL CODE, LOCAL AND FEDERAL SPECIFICATIONS. DISCONNECT POWER AT ELECTRICAL PANEL BEFORE SERVICING. RETAIN THESE INSTRUCTIONS FOR MAINTENANCE REFERENCE.

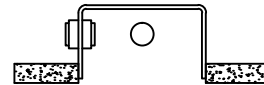
Suspension Points for fixtures are:

CAUTION: Maximum distance between suspension point in Lin1.5MDI cannot exceed 8'



Refer to general contractor/ electrician layout for proper location of mounting points/ locations for junction boxes.

- 1. Install junction box(es)** - The junction box should be regressed as shown to make sure that the canopy cover sits flush with the ceiling when install is finished.

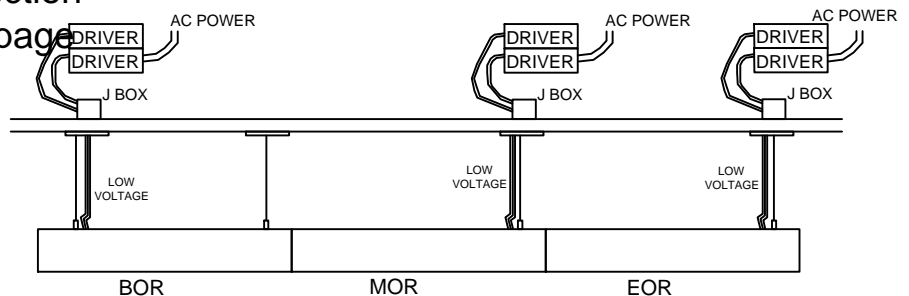
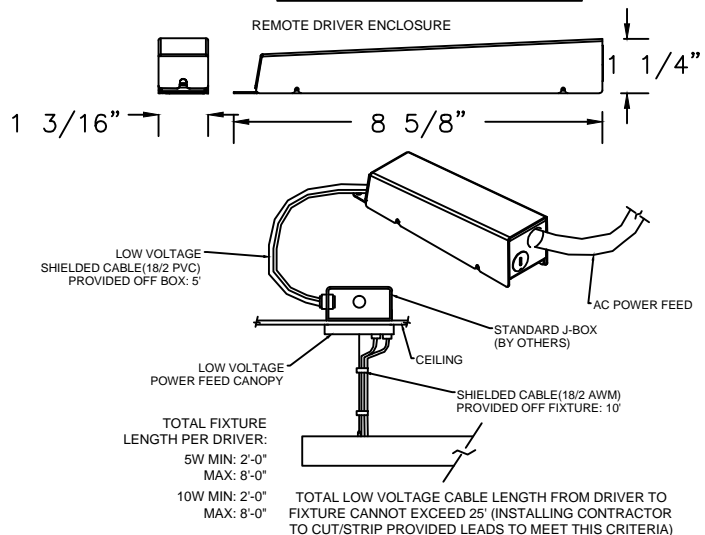


2. Duel Feed Remote Driver

1. Turn off power at panel.
2. In an accessible location, secure remote Driver Enclosure to structure within 5' of J Box above fixture.
3. Connect AC power supply to driver according to National and Local electrical codes. Note: Driver Enclosure is pre-wired with 5' of plenum rated cord. Wires labeled as circuit 1 and circuit 2.
4. Fixture is pre-wired at factory with 10' of cord. Run cord from fixture to J-Box above. Measure, cut, and strip for final connection in J Box above fixture. see page 5 for details.

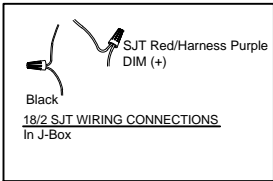
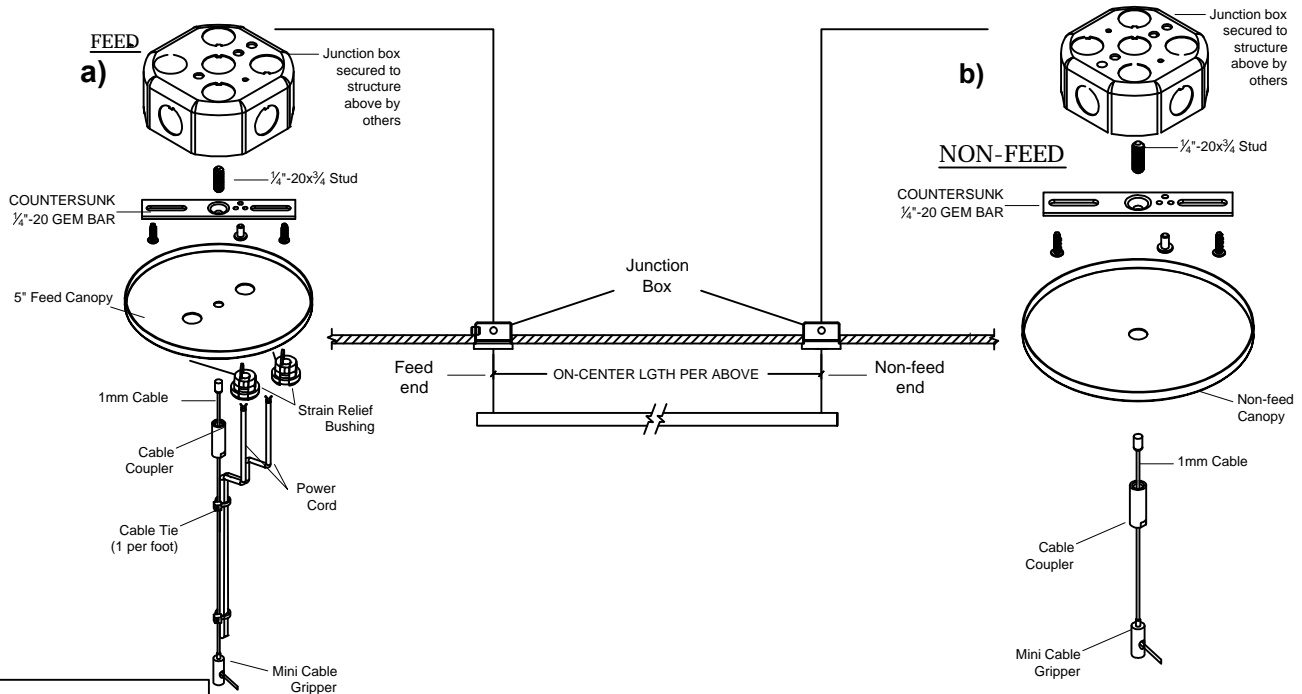
Note: The driver box must be placed in an accessible area.

SEE JOB DOCUMENTATION (LTP DRAWING) FOR LOCATION(S) OF DRIVERS AND CORRESPONDING FIXTURES

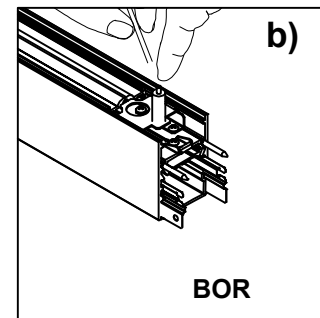
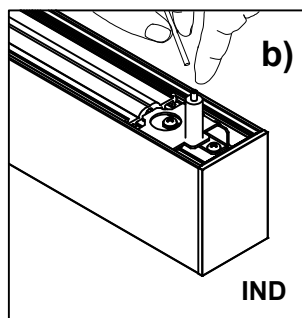
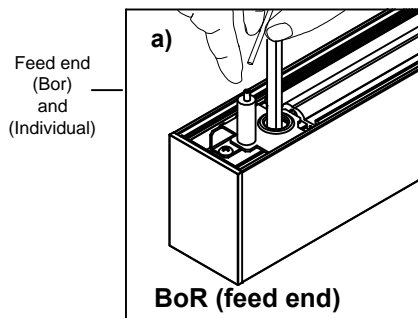




4. Duel Feed Individual and Beginning of Run (BoR) Install:



1. At feed end of BoR, thread cable through 5" Canopy (with 2nd hole) & coupler. Insert Cable into Gripper (see a).
2. At non-feed end of BoR, thread Cable through 5" Canopy & Coupler. Insert Cable into Gripper (see b).
3. Level fixture by adjusting cable at fixture end.
4. Run cord from fixture to J Box. Cut, and strip for final connections in J Box above fixture. See #4 page 4



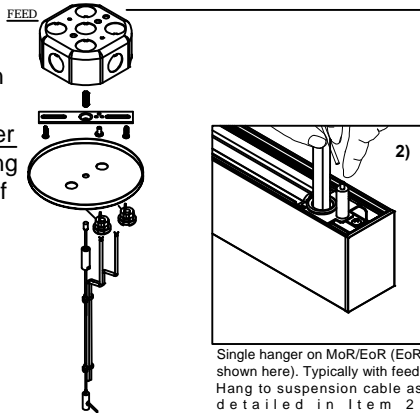
MAKE SURE TO DISCONNECT ALL ELECTRICAL CONNECTIONS BEFORE ACCESSING LED.



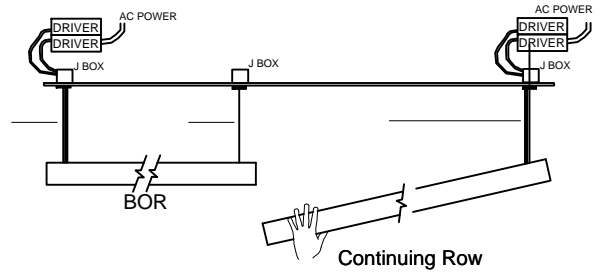
4. Duel Feed Assembling Continuous Rows:

a. Hang MoR/EoR:

Hang MoR/EoR as shown on page 2, BoR should be self supporting. Hang feed hanger on far end of MoR/EoR, swing up to join on non Feed end of BoR

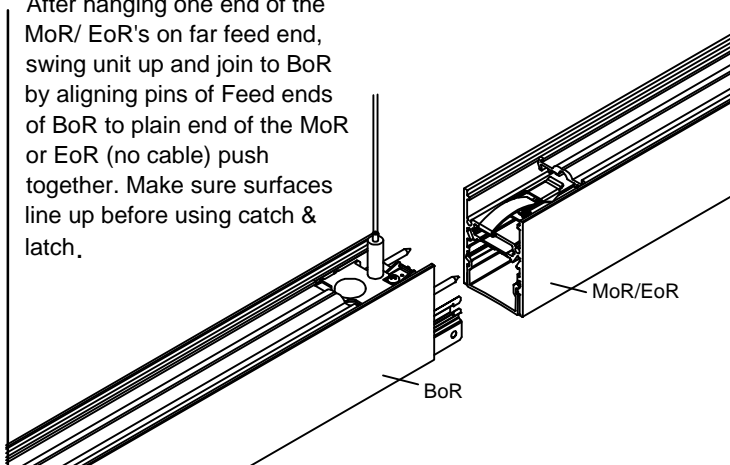


Single hanger on MoR/EoR (EoR shown here). Typically with feed. Hang to suspension cable as detailed in Item 2.



b. BoR to MoR/EoR:

After hanging one end of the MoR/ EoR's on far feed end, swing unit up and join to BoR by aligning pins of Feed ends of BoR to plain end of the MoR or EoR (no cable) push together. Make sure surfaces line up before using catch & latch.

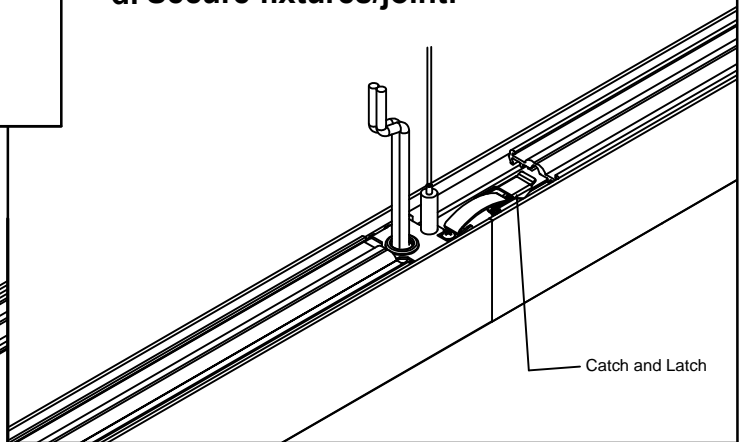
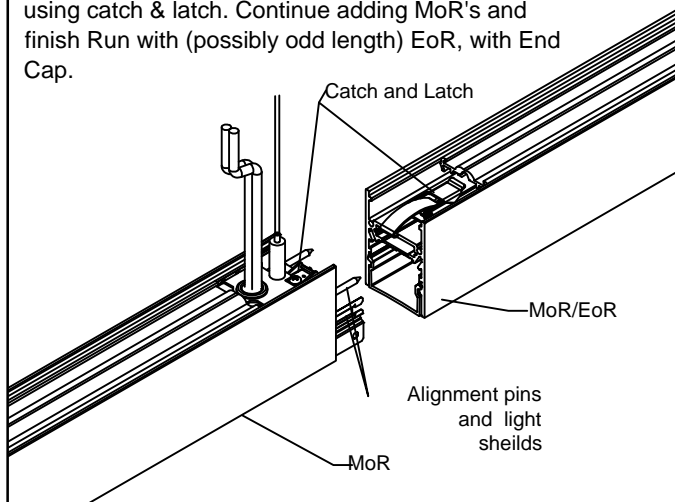


Joining the Housings
Line up the two housings by using the alignment pins and light leak shields. Secure them together by using the Catch and Latch System on the top of the extrusion.

d. Secure fixtures/joint:

c. MoR to MoR/EoR:

After hanging one end, (far feed end) of MoR/EoR, swing unit up and join to MoR by aligning pins and push together. Make sure surfaces line up before using catch & latch. Continue adding MoR's and finish Run with (possibly odd length) EoR, with End Cap.



MAKE SURE TO DISCONNECT ALL ELECTRICAL CONNECTIONS BEFORE ACCESSING LED.



Maintenance:

For LED replacement

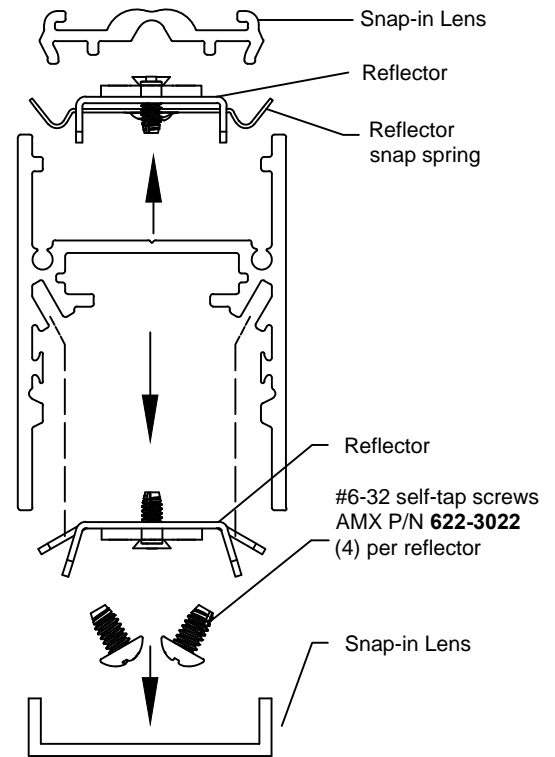
**WARNING: Electrostatic and polarity sensitive device.
Use caution while handling and wiring.**

1.) LED Fixture:

Consult Amerlux for LED maintenance.

2.) LED Replacement:

For LED board replacement reference 689-0500 Instruction Sheet



MAKE SURE TO DISCONNECT ALL ELECTRICAL CONNECTIONS BEFORE ACCESSING LED.