

INSTRUCTION SHEET



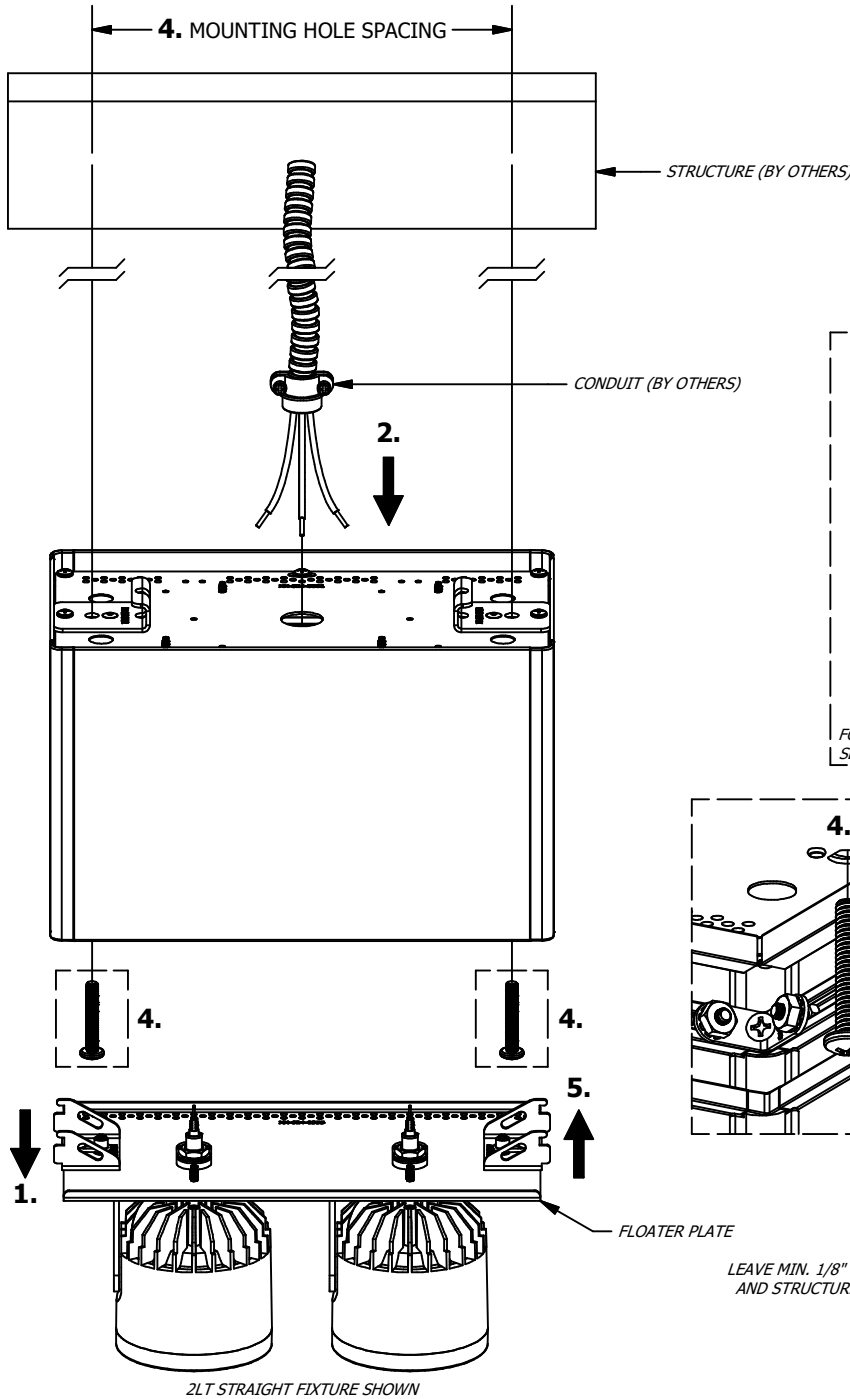
PENDANT MULTIPLE SURFACE MOUNT INSTALLATION

689-0662

PAGE 1 OF 1

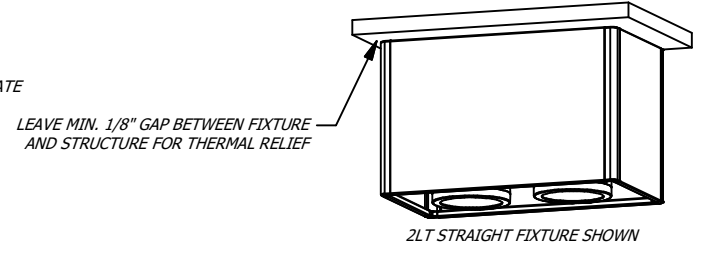
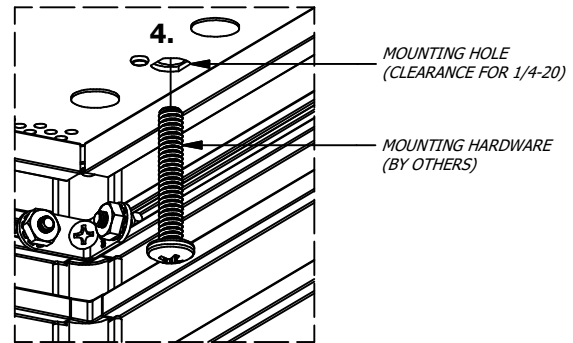
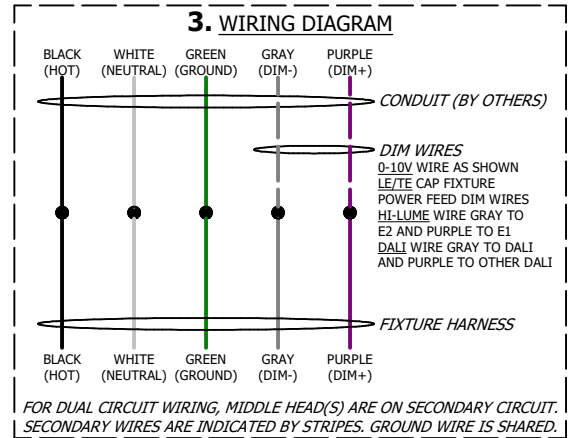
WARNING - RISK OF FIRE AND ELECTRICAL SHOCK. FIXTURE MUST BE INSTALLED BY A QUALIFIED ELECTRICIAN ONLY. FIXTURE IS INTENDED FOR INSTALLATION IN ACCORDANCE WITH THE NATIONAL ELECTRICAL CODE, LOCAL AND FEDERAL SPECIFICATIONS. DISCONNECT POWER AT ELECTRICAL PANEL BEFORE SERVICING.

RETAIN THESE INSTRUCTIONS FOR MAINTENANCE REFERENCE.



4. MOUNTING HOLE SPACING

FIXTURE	SPACING (in)
2LT STRAIGHT	8 3/4
2LT CURVED	8 13/16
3LT STRAIGHT	13 1/4
3LT CURVED	13 1/2
4LT STRAIGHT	17 3/4
4LT CURVED	18 5/16



1. REMOVE FLOATER PLATE (REFER TO 689-0667 'DRIVER ACCESS'),
2. ATTACH CONDUIT TO 7/8 K.O.,
3. WIRE ACCORDING TO LOCAL AND NATIONAL CODE,
4. SECURE FIXTURE TO STRUCTURE WITH HARDWARE (BY OTHERS) USING INDICATED MOUNTING HOLES, THEN
5. REATTACH FLOATER PLATE

Amerlux, 178 Bauer Drive, Oakland, N.J. 07436, T: 973-882-5010, F: 973-882-2604 www.amerlux.com