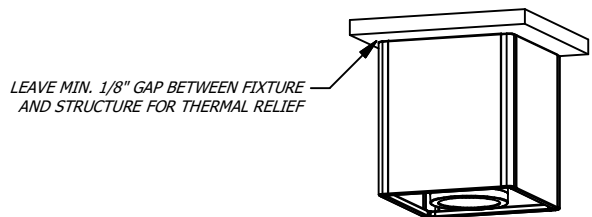
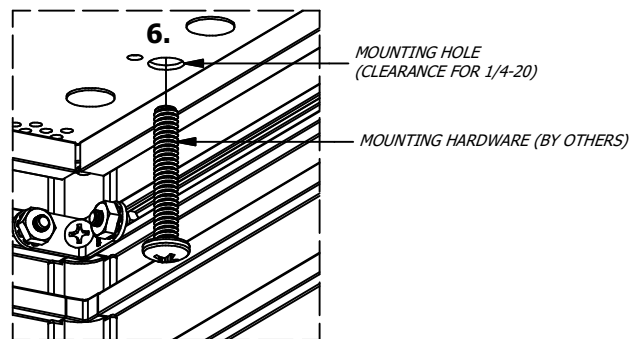
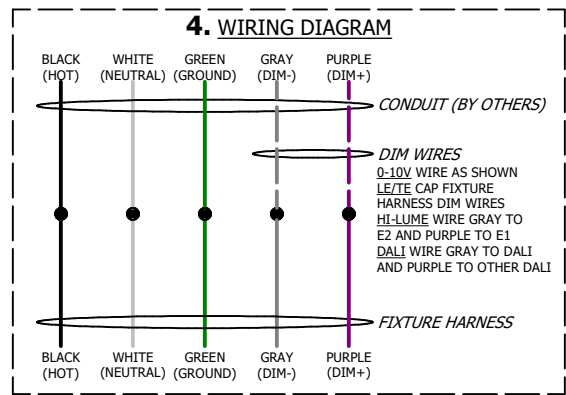
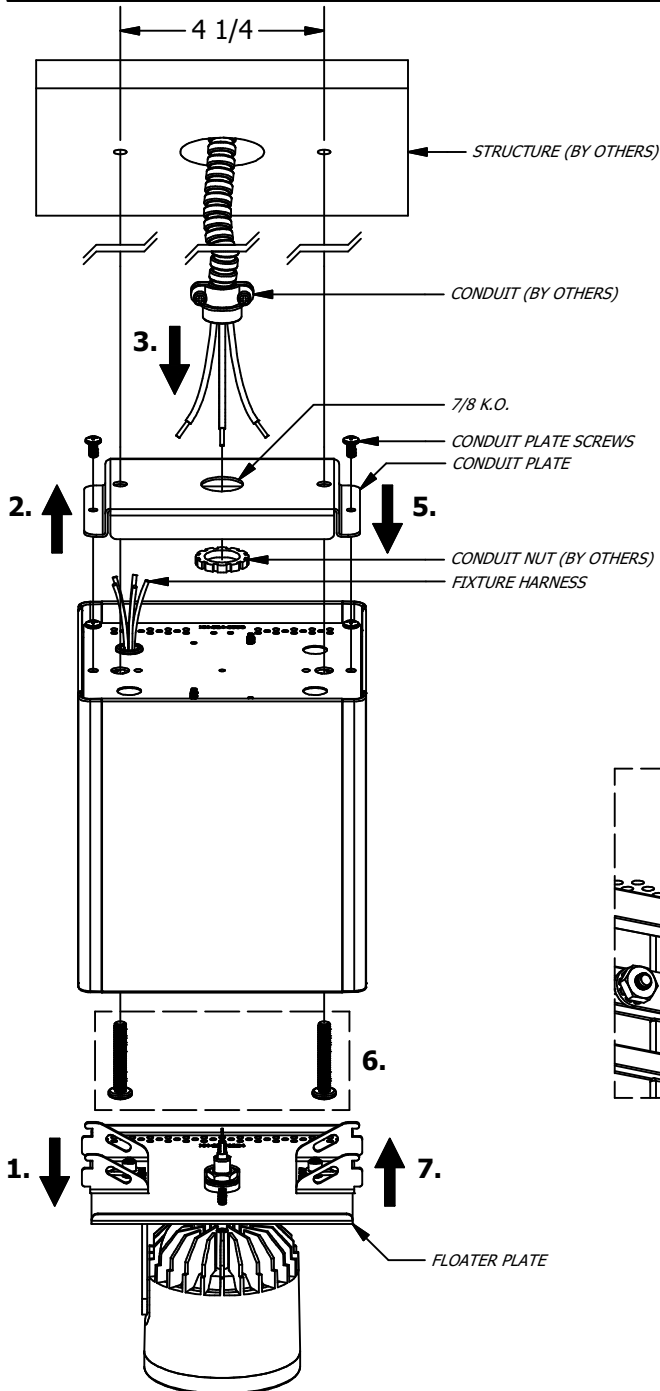


WARNING - RISK OF FIRE AND ELECTRICAL SHOCK. FIXTURE MUST BE INSTALLED BY A QUALIFIED ELECTRICIAN ONLY. FIXTURE IS INTENDED FOR INSTALLATION IN ACCORDANCE WITH THE NATIONAL ELECTRICAL CODE, LOCAL AND FEDERAL SPECIFICATIONS. DISCONNECT POWER AT ELECTRICAL PANEL BEFORE SERVICING.

RETAIN THESE INSTRUCTIONS FOR MAINTENANCE REFERENCE.



- 1.** REMOVE FLOATER PLATE (REFER TO 689-0667 'DRIVER ACCESS',
- 2.** LOOSEN AND REMOVE CONDUIT PLATE SCREWS (x2) AND CONDUIT PLATE,
- 3.** ATTACH CONDUIT TO 7/8 K.O.,
- 4.** WIRE ACCORDING TO LOCAL AND NATIONAL CODE,
- 5.** REATTACH CONDUIT PLATE WITH SCREWS,
- 6.** SECURE FIXTURE TO STRUCTURE WITH HARDWARE (BY OTHERS) USING INDICATED MOUNTING HOLES, THEN
- 7.** REATTACH FLOATER PLATE.

Amerlux, 178 Bauer Drive, Oakland, N.J. 07436, T: 973-882-5010, F: 973-882-2604 www.amerlux.com