

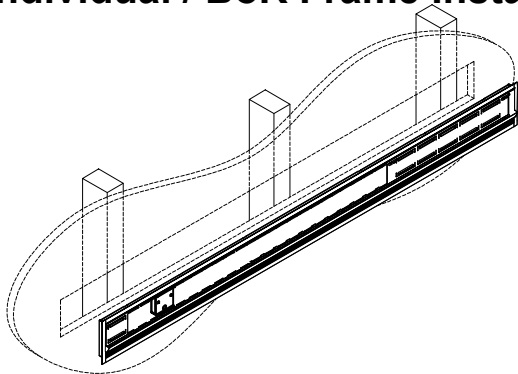


Fino Wall - Flanged - Remote

GB Wall

WARNING - RISK OF FIRE AND ELECTRICAL SHOCK. FIXTURE MUST BE INSTALLED BY A QUALIFIED ELECTRICIAN ONLY. FIXTURE IS INTENDED FOR INSTALLATION IN ACCORDANCE WITH THE NATIONAL ELECTRICAL CODE, LOCAL AND FEDERAL SPECIFICATIONS. DISCONNECT POWER AT ELECTRICAL PANEL BEFORE SERVICING .
RETAIN THESE INSTRUCTIONS FOR MAINTENANCE REFERENCE.

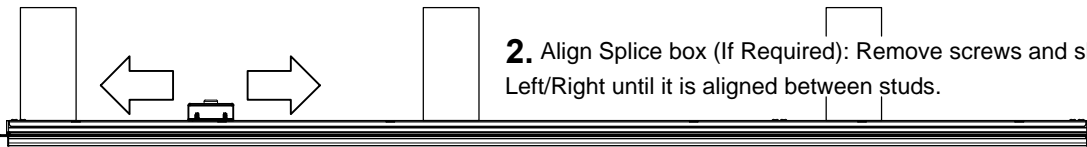
Individual / BoR Frame Installation.



1. Prepare a cutout in the wall:

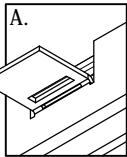
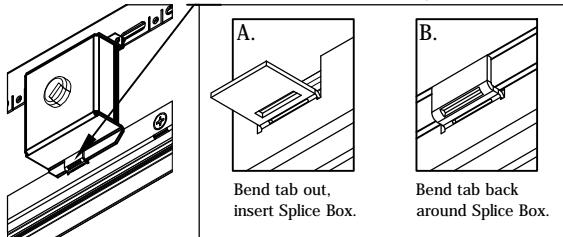
Individual - $3\frac{5}{8}$ " x (Length of Fixture + $\frac{3}{16}$ ")

Runs - $3\frac{5}{8}$ " x (Length of Fixture + $\frac{3}{8}$ ")

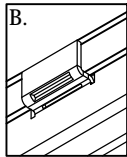


2. Align Splice box (If Required): Remove screws and slide Splice Box Left/Right until it is aligned between studs.

3. When Splice Box is aligned:

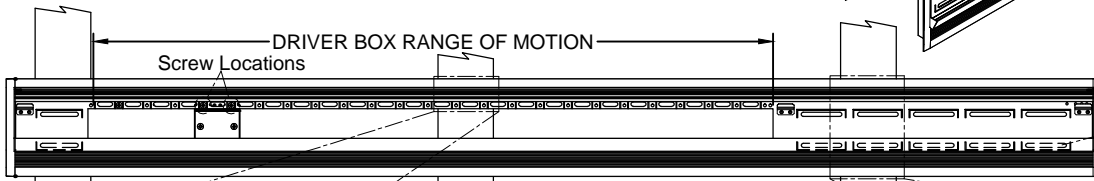
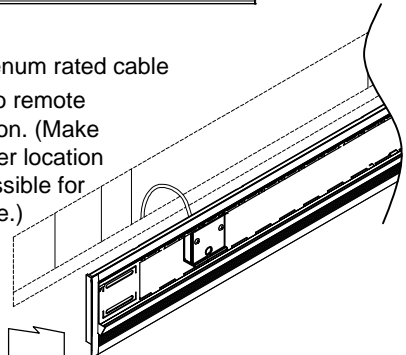


Bend tab out, insert Splice Box.



Bend tab back around Splice Box.

4. Feed plenum rated cable (provided) to remote driver location. (Make remote Driver location easily accessible for maintenance.)



DO NOT USE Lower row of slots.

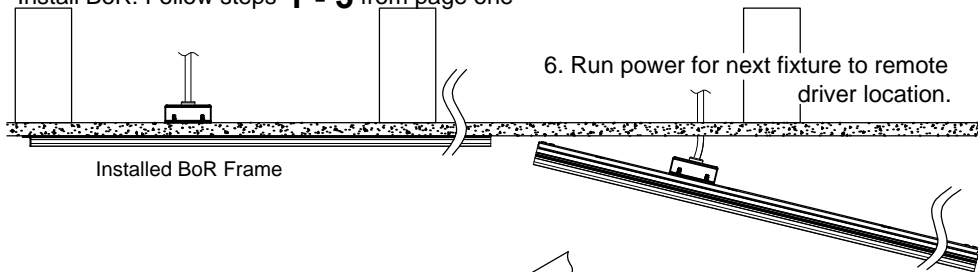
5. Mount Fixture: Secure fixture to structure (studs) via provided slots using **flat head** screws (by others). If fixture does not intersect any structure, blocking must be added (by others).

Flathead Screws (By Others)



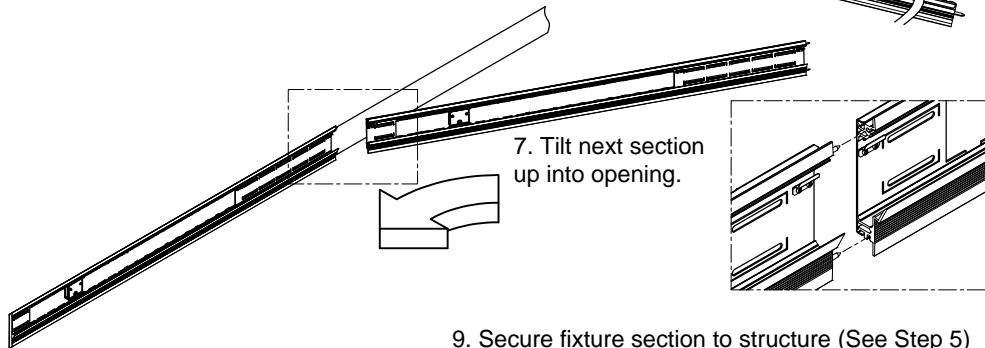
Continuous Run (MoR / EoR) Installation:

Install BoR: Follow steps 1 - 5 from page one

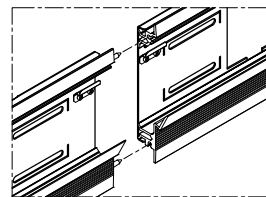


Installed BoR Frame

6. Run power for next fixture to remote driver location.



7. Tilt next section up into opening.

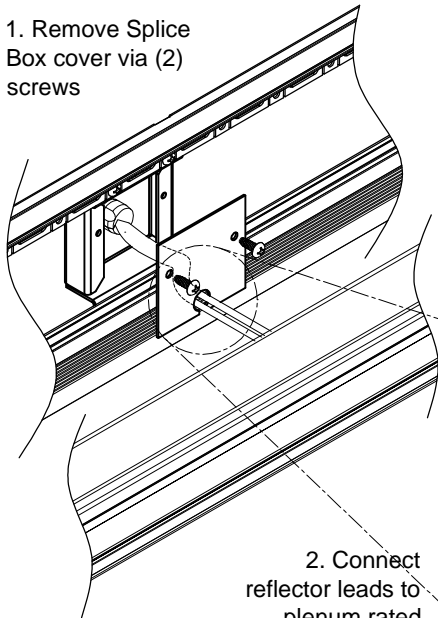


8. Slide section toward already installed fixture ensuring alignment pins insert into appropriate hole.

9. Secure fixture section to structure (See Step 5)

Reflector Installation:

1. Remove Splice Box cover via (2) screws



2. Connect reflector leads to plenum rated cable behind Splice Box cover

3. Reattach Splice Box cover

4. Install Reflector

A: Feed all excess wiring into Splice Box

Spring

Reflector

B: Insert reflector at angle

C: Press reflector Down and In until it "snaps" into spring

Wireway Channel

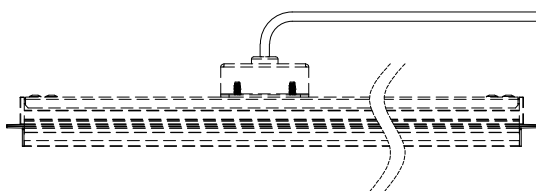
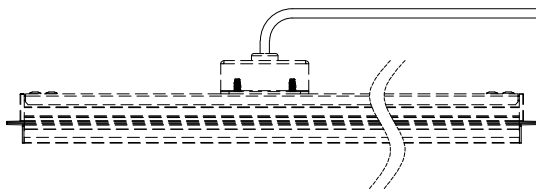
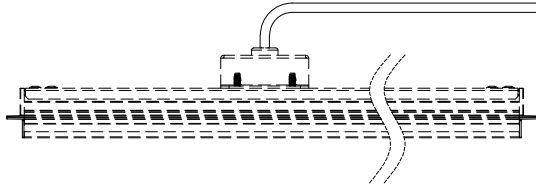
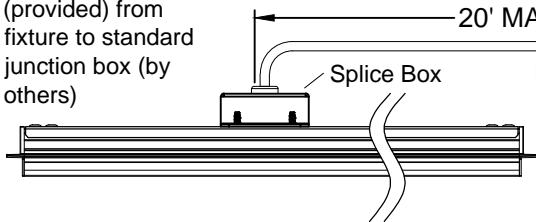
(Make sure wiring falls in channel, and does not interfere with reflector)



Remote Driver Installation:

Start by installing fixture frame as described on first page.

1. Run plenum rated cable (provided) from fixture to standard junction box (by others)



4. (Optional) Run plenum rated cable from multiple other fixtures into junction box and splice into feed from driver box

2. Install Remote Driver Enclosure in an accessible area & run plenum rated cable (provided) to standard junction box (By Others)

3. Splice plenum rated cable from Fixture and from Driver box together.



For feeding multiple fixtures, MAXIMUM of 8' total for 6W/ft and 4' total for 12W/ft.