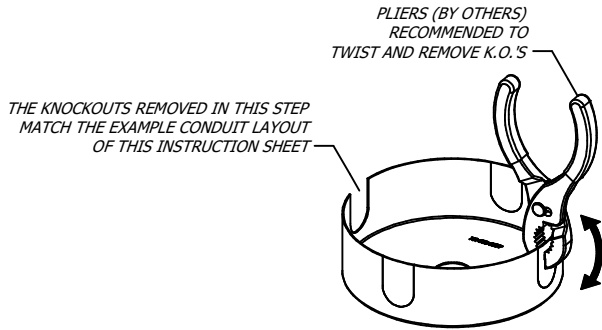


WARNING - RISK OF FIRE AND ELECTRICAL SHOCK. FIXTURE MUST BE INSTALLED BY A QUALIFIED ELECTRICIAN ONLY. FIXTURE IS INTENDED FOR INSTALLATION IN ACCORDANCE WITH THE NATIONAL ELECTRICAL CODE, LOCAL AND FEDERAL SPECIFICATIONS. DISCONNECT POWER AT ELECTRICAL PANEL BEFORE SERVICING.

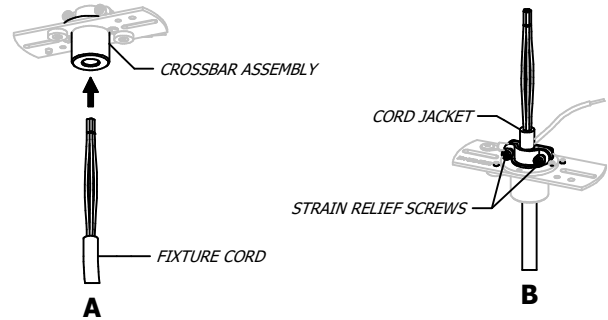
RETAIN THESE INSTRUCTIONS FOR MAINTENANCE REFERENCE.

1 REMOVE CANOPY K.O.'S



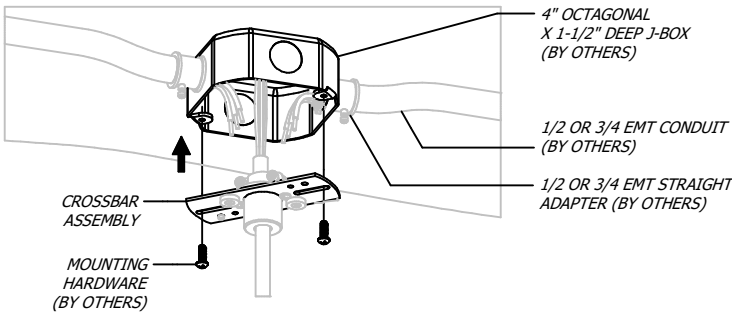
REMOVE CANOPY KNOCKOUTS TO MATCH CONDUIT LAYOUT

2 ATTACH CORD TO CROSSBAR



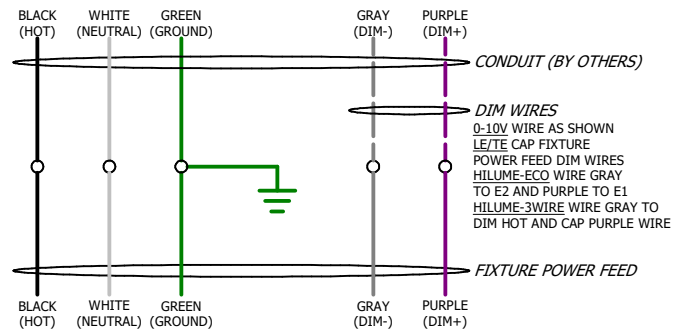
FEED FIXTURE CORD THROUGH KIT CROSSBAR ASSEMBLY, THEN TIGHTEN STRAIN RELIEF SCREWS ON CORD JACKET, ADJUSTING FIXTURE OVERALL LENGTH (OAL)

3 MOUNT CROSSBAR



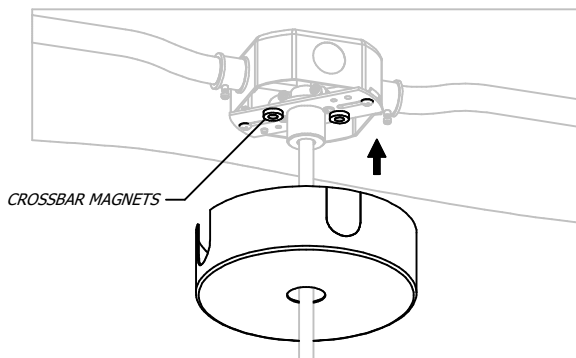
MOUNT CROSSBAR ASSEMBLY TO J-BOX WITH HARDWARE (BY OTHERS)

4 WIRE



WIRE ACCORDING TO LOCAL AND NATIONAL CODE. CUT AND STRIP AS NEEDED. CAP UNUSED WIRES.

5 ATTACH CANOPY



RAISE CANOPY TO MAGNETIC CROSSBAR

