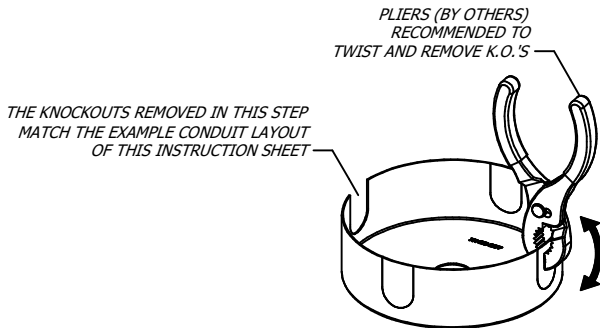


WARNING - RISK OF FIRE AND ELECTRICAL SHOCK. FIXTURE MUST BE INSTALLED BY A QUALIFIED ELECTRICIAN ONLY. FIXTURE IS INTENDED FOR INSTALLATION IN ACCORDANCE WITH THE NATIONAL ELECTRICAL CODE, LOCAL AND FEDERAL SPECIFICATIONS. DISCONNECT POWER AT ELECTRICAL PANEL BEFORE SERVICING.

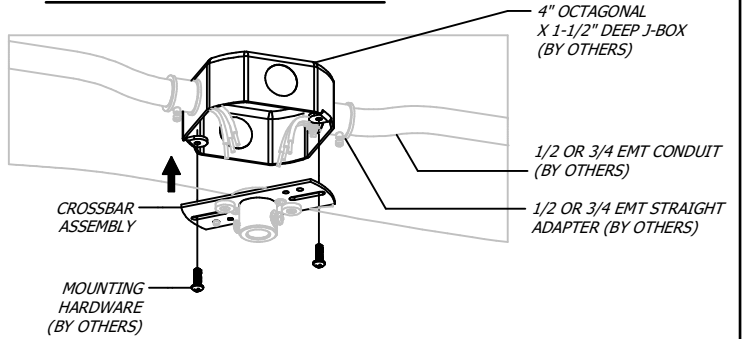
RETAIN THESE INSTRUCTIONS FOR MAINTENANCE REFERENCE.

1 REMOVE CANOPY K.O.'S



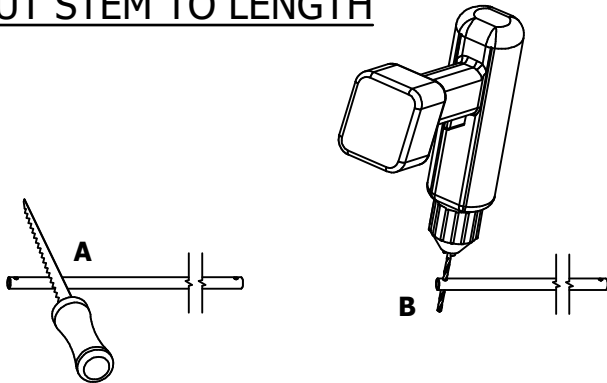
REMOVE CANOPY KNOCKOUTS TO MATCH CONDUIT LAYOUT

2 MOUNT CROSSBAR



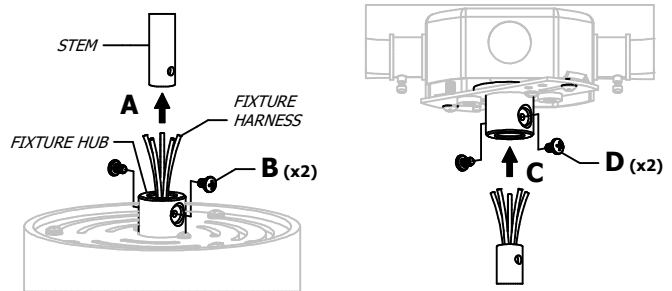
MOUNT KIT CROSSBAR ASSEMBLY TO J-BOX (BY OTHERS) WITH HARDWARE (BY OTHERS)

3 CUT STEM TO LENGTH



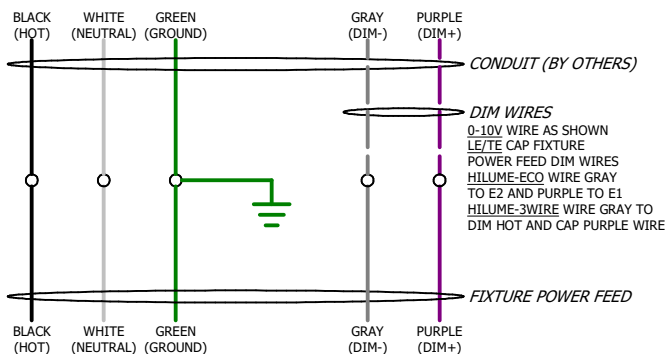
IF NECESSARY, **A** CUT ONE END TO DESIRED LENGTH, THEN **B** DRILL A Ø3/16" THRU HOLE 5/16" FROM END

4 ATTACH STEM TO CROSSBAR



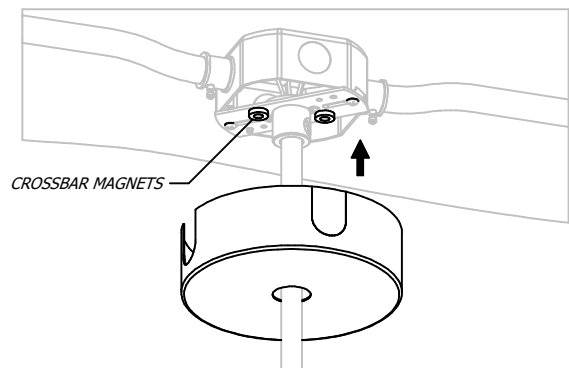
A FEED FIXTURE HARNESS THROUGH STEM, **B** ALIGN STEM AND FIXTURE HUB HOLES AND TIGHTEN SCREWS (x2), **C** FEED FIXTURE HARNESS THROUGH CROSSBAR ASSEMBLY HUB, THEN **D** ALIGN STEM AND CROSSBAR HUB HOLES AND TIGHTEN SCREWS (x2)

5 WIRE



WIRE ACCORDING TO LOCAL AND NATIONAL CODE. CUT AND STRIP AS NEEDED. CAP UNUSED WIRES.

6 ATTACH CANOPY



RAISE CANOPY TO MAGNETIC CROSSBAR