



INSTRUCTION SHEET

ROOK 475 CONDUIT SURFACE MOUNT INSTALLATION

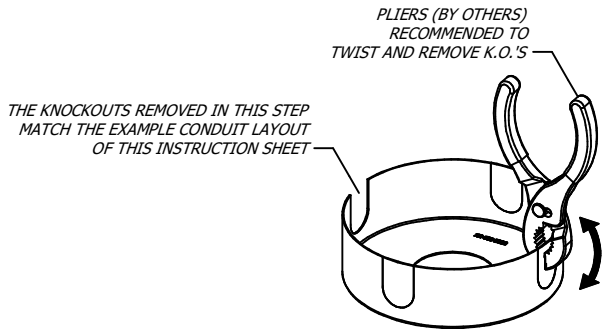
689-0729

PAGE 1 OF 1

WARNING - RISK OF FIRE AND ELECTRICAL SHOCK. FIXTURE MUST BE INSTALLED BY A QUALIFIED ELECTRICIAN ONLY. FIXTURE IS INTENDED FOR INSTALLATION IN ACCORDANCE WITH THE NATIONAL ELECTRICAL CODE, LOCAL AND FEDERAL SPECIFICATIONS. DISCONNECT POWER AT ELECTRICAL PANEL BEFORE SERVICING.

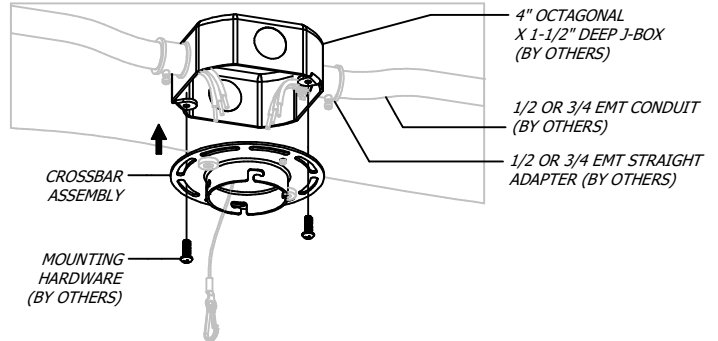
RETAIN THESE INSTRUCTIONS FOR MAINTENANCE REFERENCE.

1 REMOVE CANOPY K.O.'S



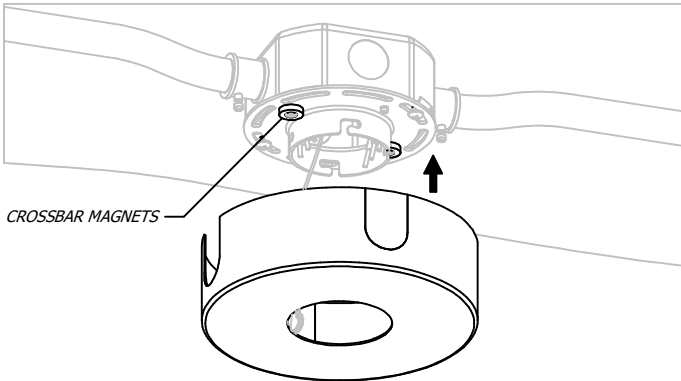
REMOVE CANOPY KNOCKOUTS TO MATCH CONDUIT LAYOUT

2 MOUNT CROSSBAR



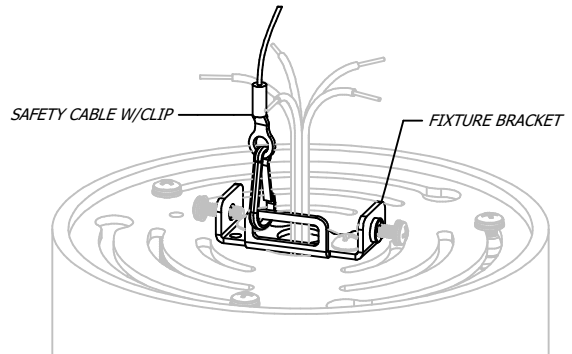
MOUNT KIT CROSSBAR ASSEMBLY TO J-BOX WITH HARDWARE (BY OTHERS)

3 ATTACH CANOPY



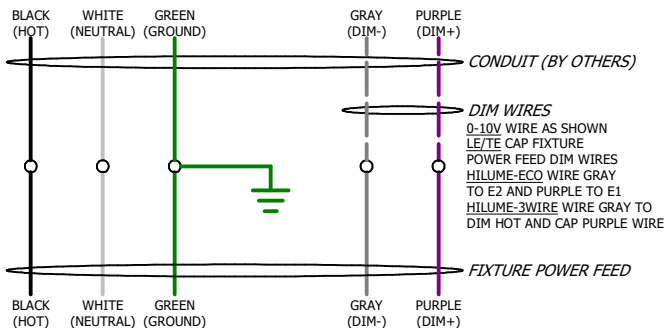
RAISE CANOPY TO MAGNETIC CROSSBAR

4 ATTACH SAFETY CABLE



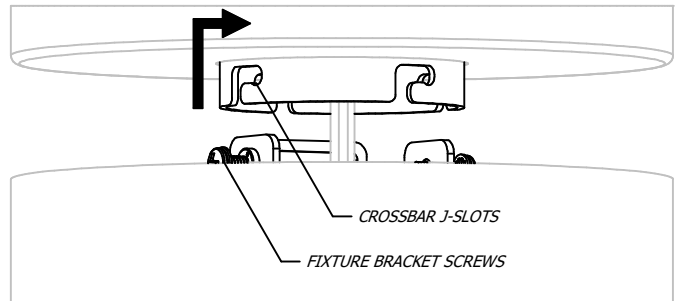
HOOK SAFETY CABLE CLIP ONTO FIXTURE BRACKET

5 WIRE



WIRE ACCORDING TO LOCAL AND NATIONAL CODE. CUT AND STRIP AS NEEDED. CAP UNUSED WIRES.

6 ATTACH FIXTURE TO CROSSBAR



LOCATE FIXTURE BRACKET SCREWS IN CROSSBAR J-SLOTS, ROTATE UNTIL SCREWS ARE SEATED, THEN TIGHTEN SCREWS

Amerlux, 178 Bauer Drive, Oakland, N.J. 07436, T: 973-882-5010, F: 973-882-2604 www.amerlux.com