



INSTALLATION INSTRUCTIONS

QUICK-LINE LINEA 1.5" DIRECT/INDIRECT QLP1.5DI

689-0734
pg 1 of 5

WARNING: RISK OF FIRE AND ELECTRICAL SHOCK. FIXTURE MUST BE INSTALLED BY A QUALIFIED ELECTRICIAN ONLY. FIXTURE IS INTENDED FOR INSTALLATION IN ACCORDANCE WITH THE NATIONAL ELECTRICAL CODE, LOCAL AND FEDERAL SPECIFICATIONS. RETAIN THESE INSTRUCTIONS FOR MAINTENANCE REFERENCE.

1. DISCONNECT POWER AT ELECTRICAL PANEL BEFORE SERVICING.

Pre-installation Note:

Products Required: - Fixture

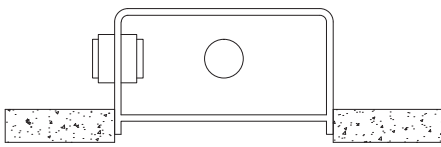
- Female Feed Kit (QLK-FF210)

- End Cap Kit (QLP1-EC)

- Non-Feed Kit (QLK-SC10)

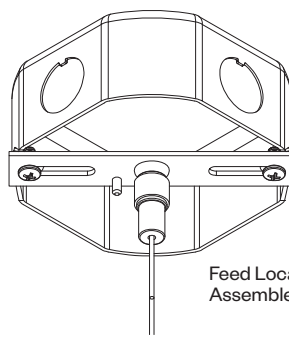
Optional: - Male Feed Kit (QLK-MF210), for Runs with more than (1) Feed

2. Prepare J-Boxes at Ceiling:

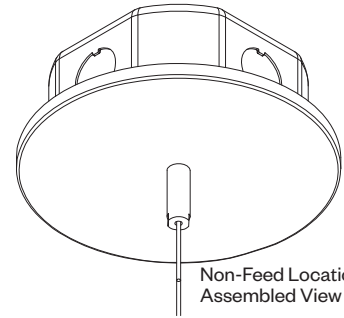


Install junction boxes - The junction boxes should be placed as shown to make sure that the canopy cover sits flush with the ceiling when install is finished.

Refer to Spec Sheet for proper location of mounting points/ locations for junction boxes.



Feed Location
Assembled View



Non-Feed Location
Assembled View

For detailed instructions, see installation sheet packaged in Feed/Non-Feed Kits

J-Box/Suspension Point Reference:

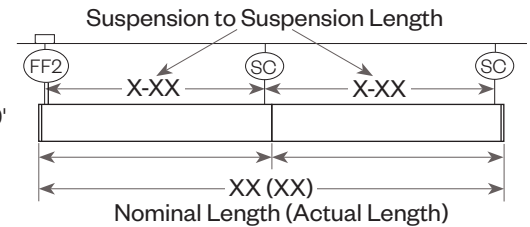
Key:

⊙ SC = Support Cable (QLK-SC10), Non-Feed, 10'

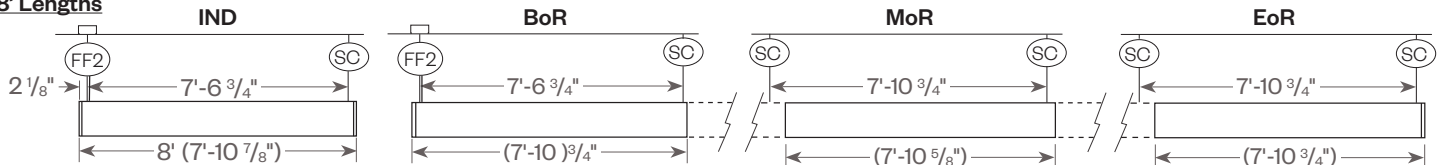
⊙ FF2 = Female Feed (QLK-FF210) Cable Kit, 1 circuit, 10'

⊥ = End Cap (QLP1-EC) Kit

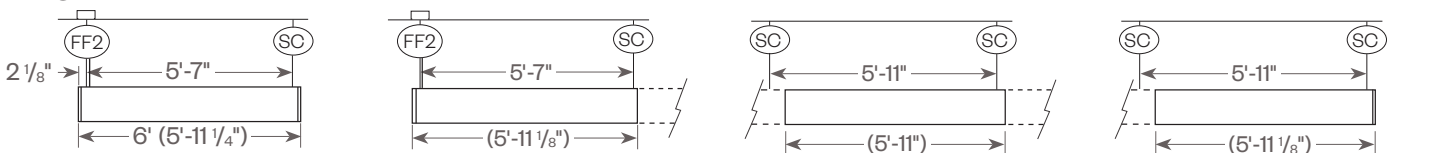
□ = Feed J-Box location



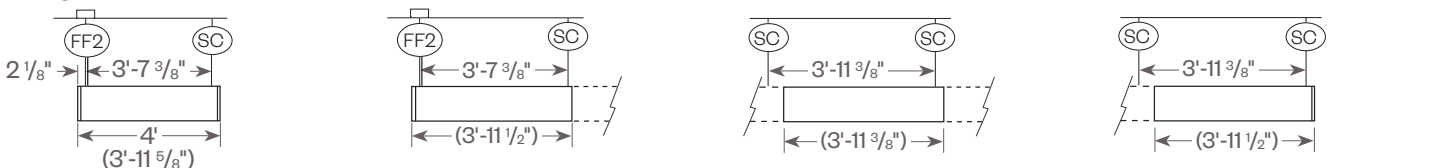
8' Lengths



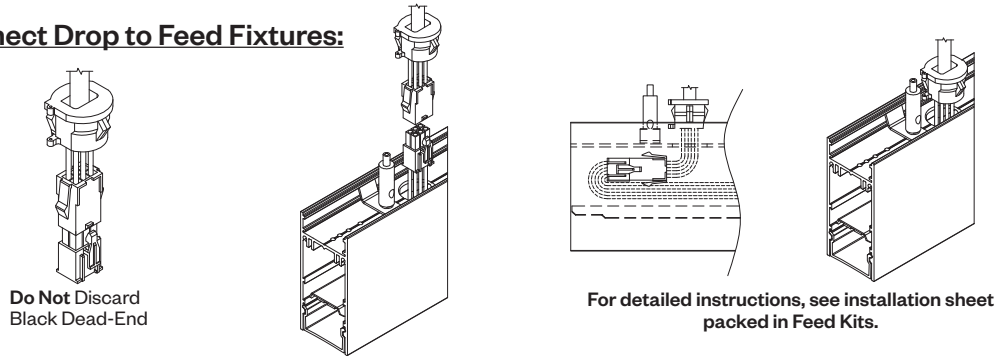
6' Lengths



4' Lengths

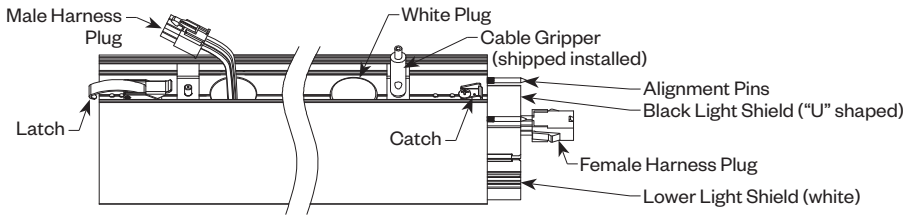


3. Connect Drop to Feed Fixtures:



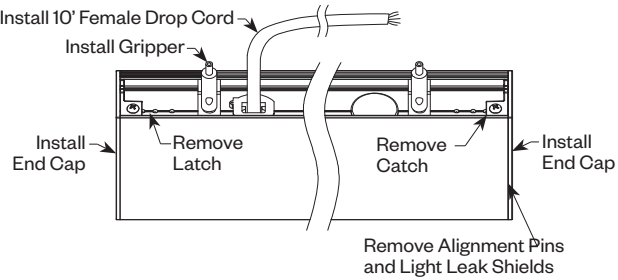
4. Prepare Fixtures:

Fixture as shipped

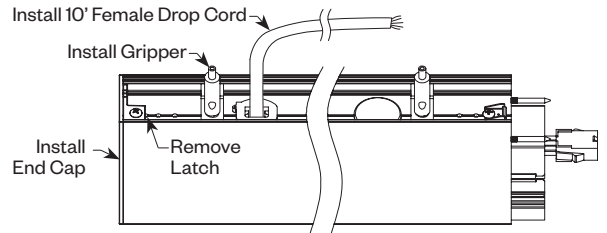


IND: Individual
BoR: Beginning of Run
MoR: Middle of Run
EoR: End of Run

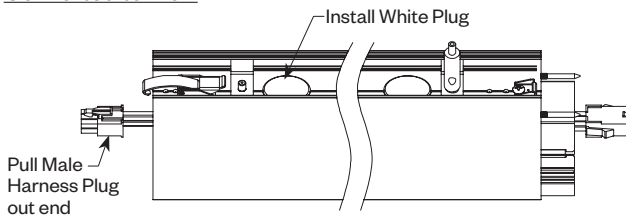
Converted to IND



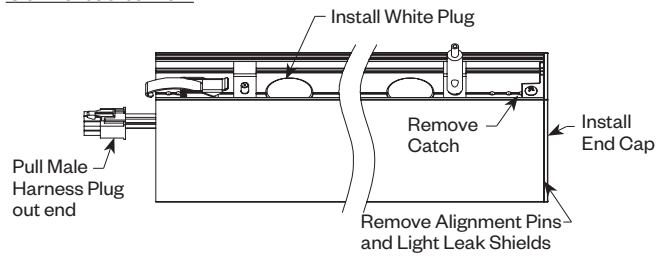
Converted to BoR



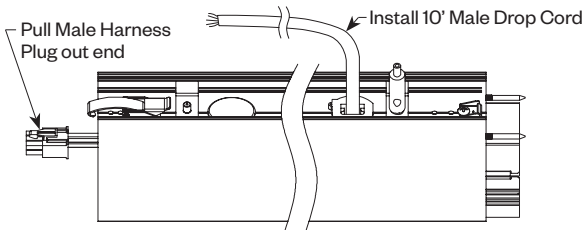
Converted to MoR



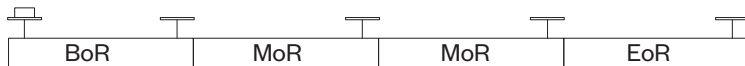
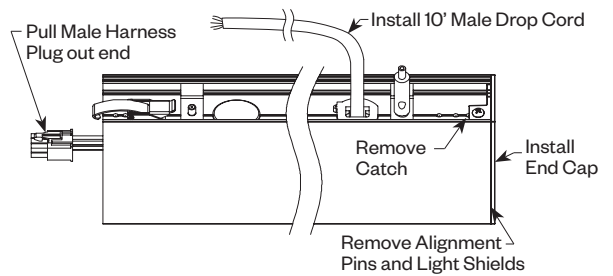
Converted to EoR



Converted to MoR (with Feed)



Converted to EoR (with Feed)



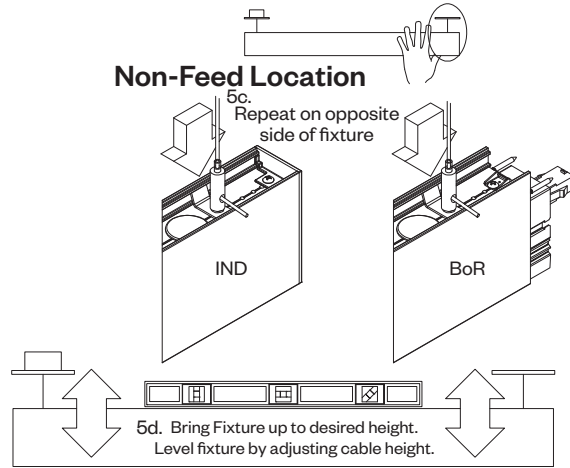
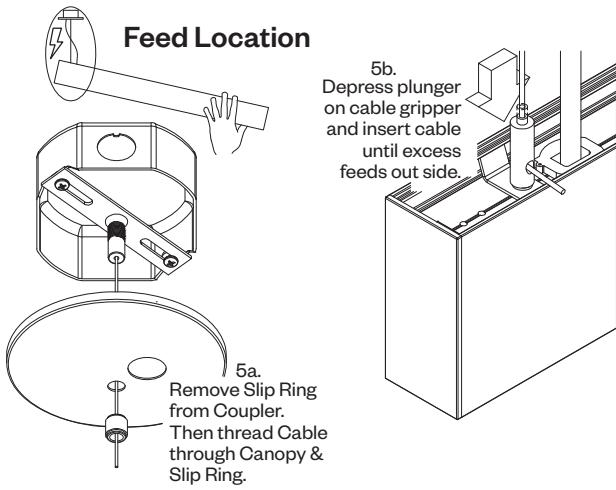
Typical layout of a continuous run

For detailed instructions of fixture conversion, see installation sheet packed in End Cap/Feed/Non-Feed Kits

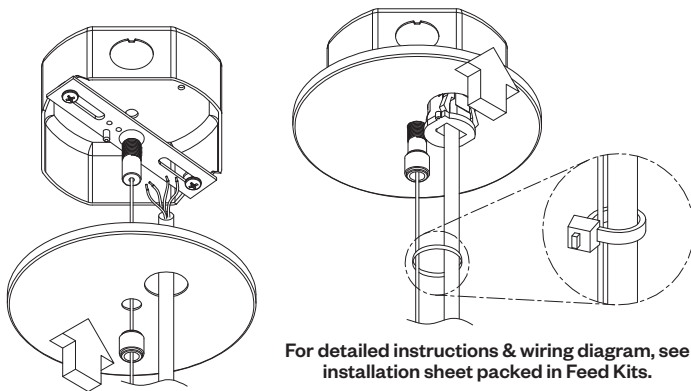
5. Hang Fixture (IND or BoR):

Manufacturers Suggestion:

All continuous runs be hung one at a time, in order, starting with the BoR, then each fixture sequentially, finishing with the EoR.



6. Connect Drop to Power:

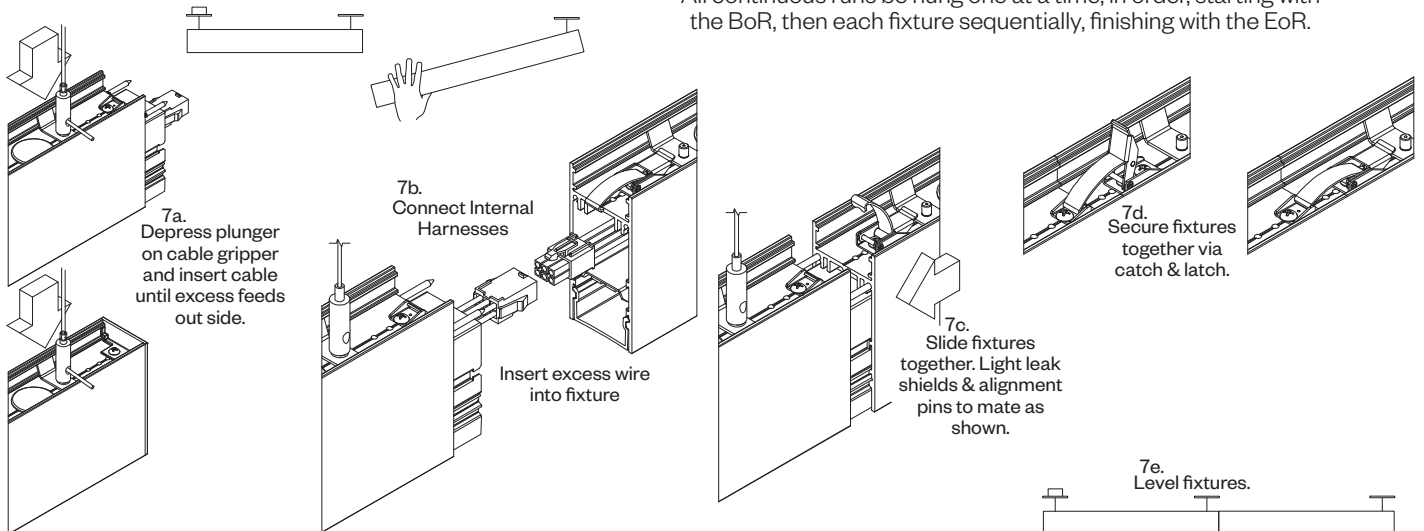


Black - Direct Switched Hot	Black/Stripe - Indirect Switched Hot
White - Direct Neutral	White/Stripe - Indirect Neutral
Gray - Direct Dim (-)	Gray/Stripe - Indirect Dim (-)
Purple - Direct Dim (+)	Purple/Stripe - Indirect Dim (+)
Green - Ground	

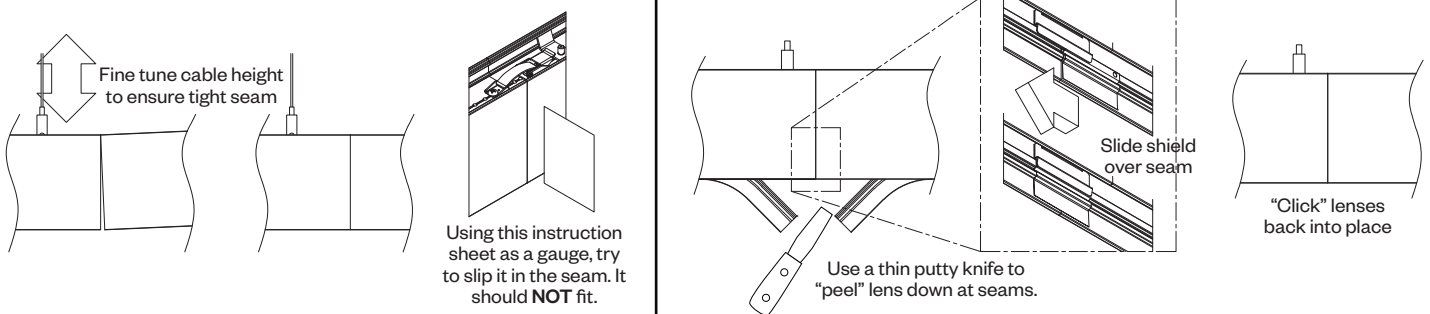
7. Hang & Join Fixtures (MoR or EoR):

Manufacturers Suggestion:

All continuous runs be hung one at a time, in order, starting with the BoR, then each fixture sequentially, finishing with the EoR.



8. Seam Finishing:

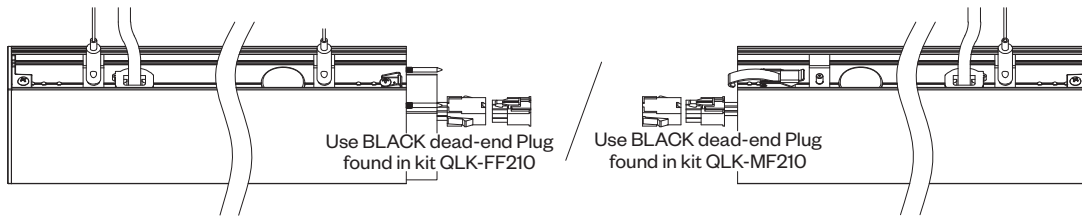


Repeat Hang/Join/Seam Finishing steps until Run is completed.

9. Feeding Run in (2) or more places (if applicable):

Dead-End power harnesses at appropriate fixture breaks using provided Black Plugs/Caps

DO NOT FEED A CONTINUOUS RUN IN (2) OR MORE LOCATIONS. CONTINUOUS RUN POWER MUST BE BROKEN VIA DEAD-END PLUGS/CAPS.



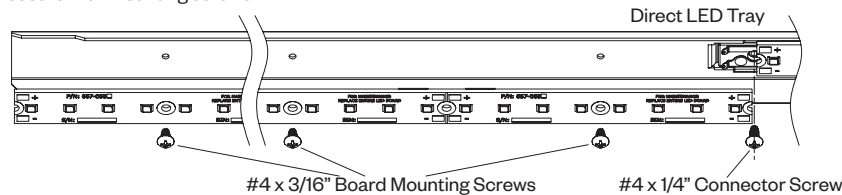
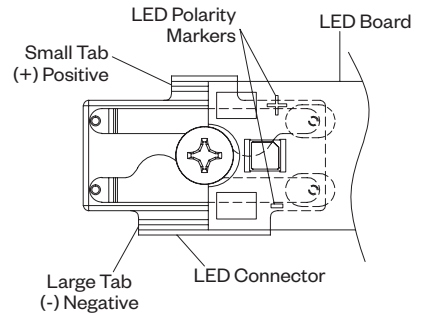
For detailed instructions, see installation sheets packed

Maintenance:

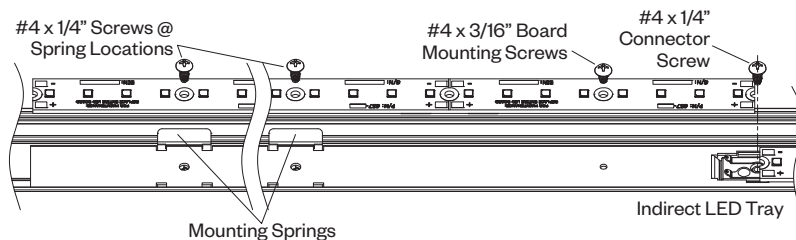
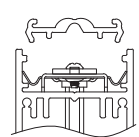
- **Make sure to turn off all power to fixture before maintenance**
- **Prior to ANY work, touch material on fixture to discharge any buildup of static electricity**
- **To access internal components, first remove Direct lens**

LED Replacement:

Remove Connector #4 Screw
Remove Board Mounting #4 Screws (6 per board)
Remove Board
Insert new board (making sure to keep correct polarity) and secure with mounting screws*



To access Indirect LEDs, first remove Indirect lens



After cutting, if needed, remove bottom tape at appropriate location to reveal contacts to sit on connector.

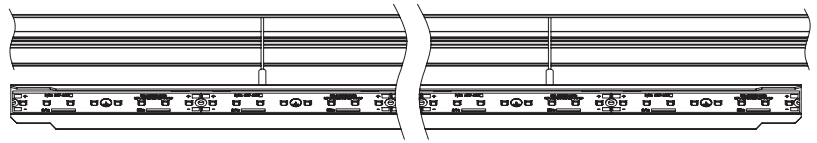
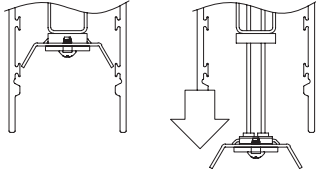
Some Indirect boards need to be cut to size.
Boards can be cut at thick black line.
Cutters must be sharp enough to not deform board.
Discard excess.

***When reinstalling LED board, make sure to use ALL board mounting screws to ensure proper thermal conductivity**

Driver Replacement:

Remove Direct LED Tray:

Tray is held in by magnets, to release tray just pull down



Tray is tethered to fixture, so when removed just allow tray to hang

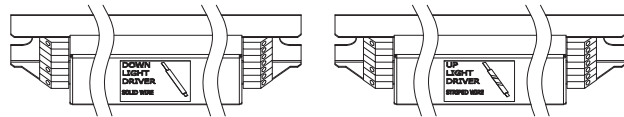
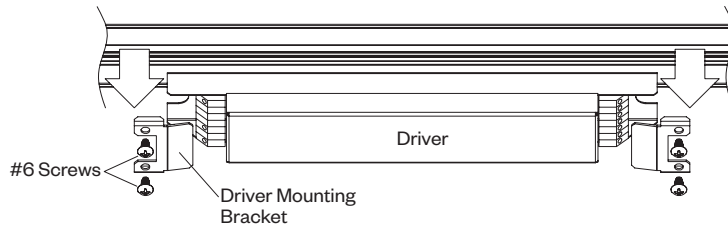
Remove Driver:

Remove Wire leads from Driver ports.

(MAKE SURE POWER IS OFF!!!)

Remove (2) brackets holding down driver by removing (2) #6 screws per bracket.

Remove Driver.



Fixtures are built with drivers labeled accordingly for Direct/Indirect. When replacing, label replacement driver accordingly.

To install driver, follow steps in reverse.

When Maintenance is Complete:

- Check all wiring connections to make sure they are secure
- Replace lens
- Restore power