



**AMERLUX**<sup>®</sup>  
LIGHTING SOLUTIONS

ADAPT. ABILITY.™

INSTALLATION INSTRUCTIONS  
SHEET #: 689-0738

SPEC. SHEET  
REFERENCE:  
QLK-MF210

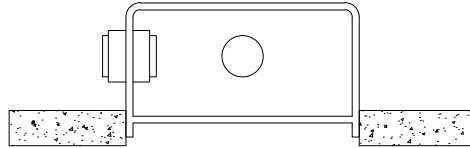
**QLK-MF210**

QLP1.5P Male Plug, 2 Circuit Feed Kit

WARNING - RISK OF FIRE AND ELECTRICAL SHOCK. FIXTURE MUST BE INSTALLED BY A QUALIFIED ELECTRICIAN ONLY. FIXTURE IS INTENDED FOR INSTALLATION IN ACCORDANCE WITH THE NATIONAL ELECTRICAL CODE, LOCAL AND FEDERAL SPECIFICATIONS. DISCONNECT POWER AT ELECTRICAL PANEL BEFORE SERVICING .  
RETAIN THESE INSTRUCTIONS FOR MAINTENANCE REFERENCE.

**Pre-installation Note:**

Supplied by others: - 4" octagonal junction boxes W/ 2pc #8 Screws for mounting Crossbar



**Install junction box** - The junction box should be placed as shown to make sure that the canopy cover sits flush with the ceiling when install is finished.

Refer to Spec Sheet for proper location of mounting points/ locations for junction boxes.

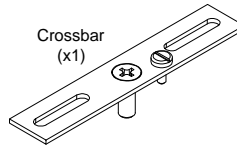
**QLK-MF210 Contents**



Coupler w/  
Slip Ring  
(x1)



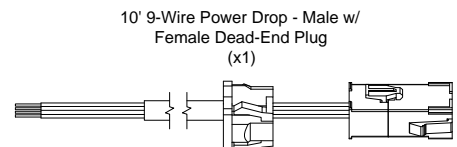
Zip Ties  
(x7)



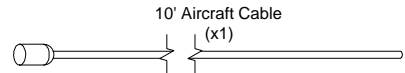
Crossbar  
(x1)



7/8" Strain  
Relief  
(x1)

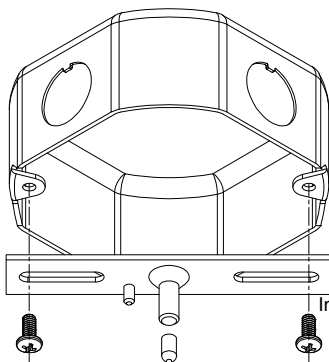


10' 9-Wire Power Drop - Male w/  
Female Dead-End Plug  
(x1)



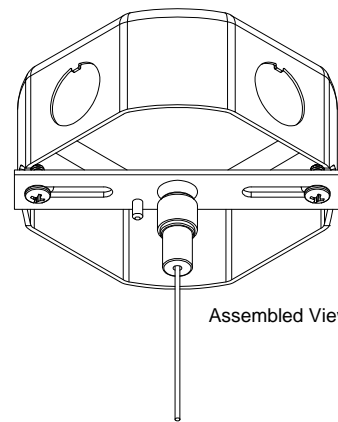
10' Aircraft Cable  
(x1)

**Prep J-Box @ Ceiling**



Install Crossbar  
to J-Box

Thread Aircraft Cable  
through Coupler. Install  
Coupler to stud on Crossbar.

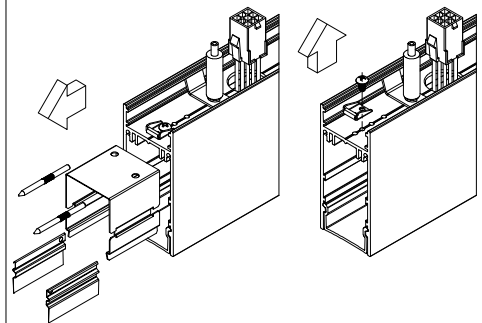
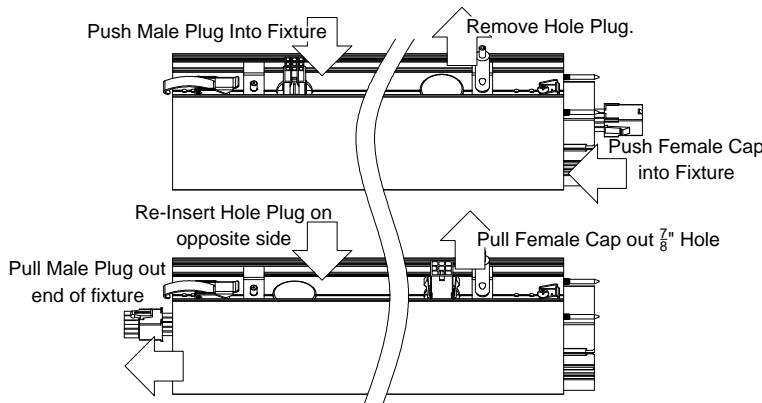


Assembled View

Amerlux, LLC. - 178 Bauer Drive, Oakland NJ 07436 - T: 973-882-5010 - F: 973-882-2605  
www.amerlux.com



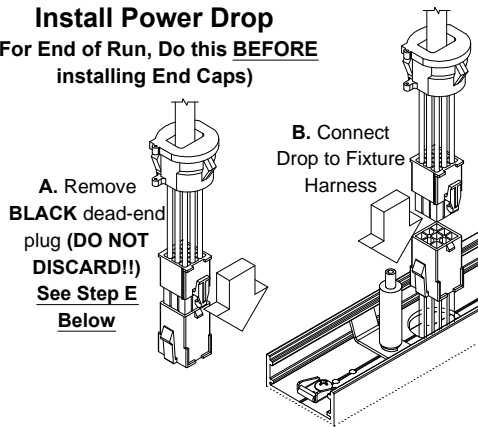
## Feeding at Middle / End of a Run (MoR / EoR)



**For QuickLine End Of Run Only**  
Remove Light Leak Shields & Catch. Detailed Instructions in kit QLP1-EC

### Install Power Drop

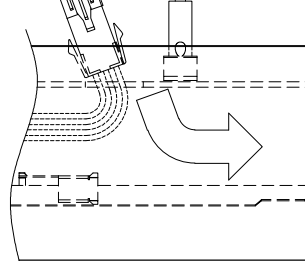
(For End of Run, Do this **BEFORE** installing End Caps)



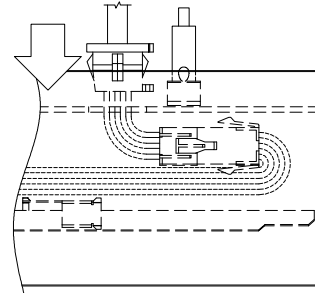
**A. Remove BLACK dead-end plug (DO NOT DISCARD!!) See Step E Below**

**B. Connect Drop to Fixture Harness**

**C. Feed Harness in at angle as shown. From open end, grab and pull harness outward**



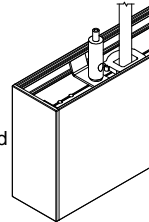
**D. Insert Strain Relief and snap into provided hole**



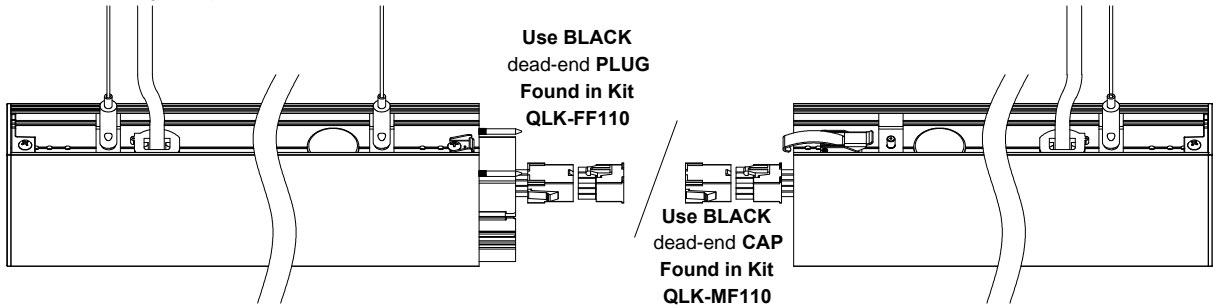
**\*Failure to install feed at an angle as shown will result in LED reflector becoming disengaged.\***

### QuickLine Only

On End of Run, End Cap can be installed after Feed Cord is installed (See Instructions in kit QLP1-EC)



**E. Dead-End power harnesses at appropriate fixture breaks using provided BLACK Plugs / Caps**

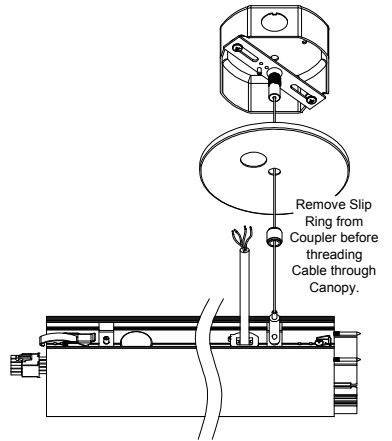


Use **BLACK** dead-end **PLUG** Found in Kit **QLK-FF110**

Use **BLACK** dead-end **CAP** Found in Kit **QLK-MF110**

**DO NOT FEED A CONTINUOUS RUN IN (2) OR MORE LOCATIONS.  
CONTINUOUS RUN POWER MUST BE BROKEN VIA DEAD-END CAPS/PLUGS**

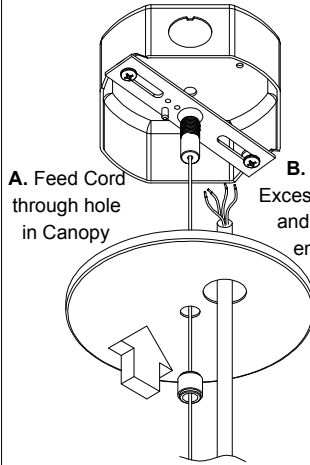
## Connecting Fixture/Run to Power @ J-Box



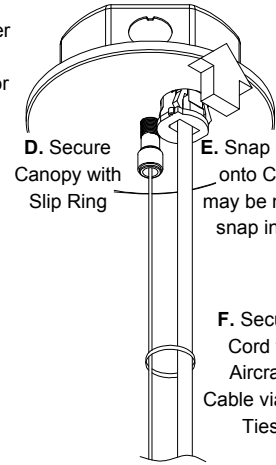
### Hang Fixture Section

See Detailed Instructions packed with Fixture

### Connect Power at J-Box

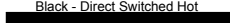
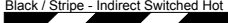

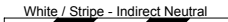

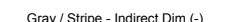


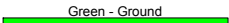


C. Splice to Power (See Wiring Diagram below for Wire Colors)



## Wiring Schematic

### Wire Colors

 Black - Direct Switched Hot	 Black / Stripe - Indirect Switched Hot
 White - Direct Neutral	 White / Stripe - Indirect Neutral
 Gray - Direct Dim (-)	 Gray / Stripe - Indirect Dim (-)
 Purple - Direct Dim (+)	 Purple / Stripe - Indirect Dim (+)
 Green - Ground	

### Dimmer: 0-10V (By Others)

