



AMERLUX[®]
LIGHTING SOLUTIONS

ADAPT. ABILITY.™

INSTALLATION INSTRUCTIONS
SHEET #: 689-0739

SPEC. SHEET
REFERENCE:
QLK-FF210

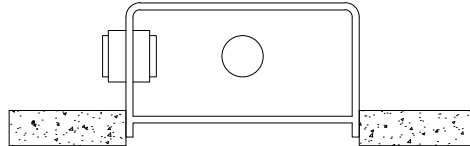
QLK-FF210

QLP1.5P Female Plug, 2 Circuit Feed Kit

WARNING - RISK OF FIRE AND ELECTRICAL SHOCK. FIXTURE MUST BE INSTALLED BY A QUALIFIED ELECTRICIAN ONLY. FIXTURE IS INTENDED FOR INSTALLATION IN ACCORDANCE WITH THE NATIONAL ELECTRICAL CODE, LOCAL AND FEDERAL SPECIFICATIONS. DISCONNECT POWER AT ELECTRICAL PANEL BEFORE SERVICING .
RETAIN THESE INSTRUCTIONS FOR MAINTENANCE REFERENCE.

Pre-installation Note:

Supplied by others: - 4" octagonal junction boxes W/ 2pc #8 Screws for mounting Crossbar



Install junction box - The junction box should be placed as shown to make sure that the canopy cover sits flush with the ceiling when install is finished.

Refer to Spec Sheet for proper location of mounting points/ locations for junction boxes.

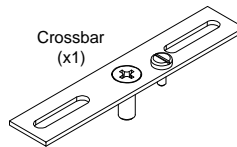
QLK-FF210 Contents



Coupler w/
Slip Ring
(x1)



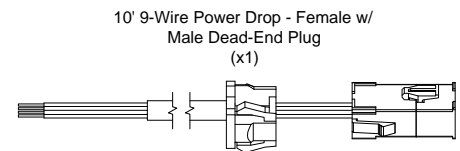
Zip Ties
(x7)



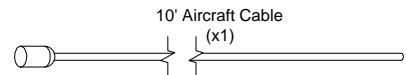
Crossbar
(x1)



7/8" Strain
Relief
(x1)

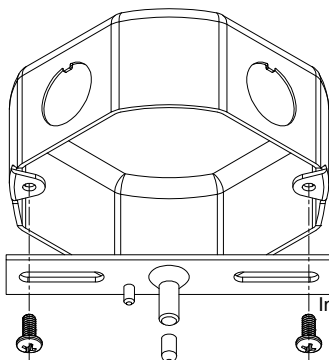


10' 9-Wire Power Drop - Female w/
Male Dead-End Plug
(x1)



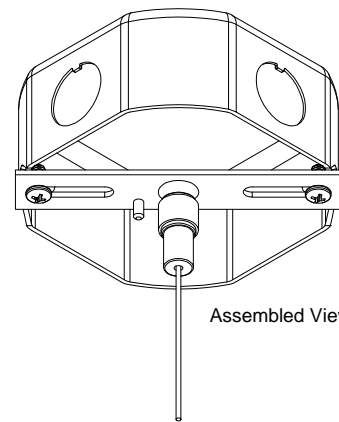
10' Aircraft Cable
(x1)

Prep J-Box @ Ceiling



Install Crossbar
to J-Box

Thread Aircraft Cable
through Coupler. Install
Coupler to stud on Crossbar.

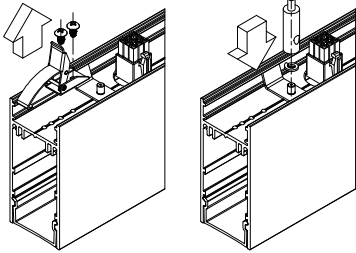


Assembled View

Amerlux, LLC. - 178 Bauer Drive, Oakland NJ 07436 - T: 973-882-5010 - F: 973-882-2605
www.amerlux.com



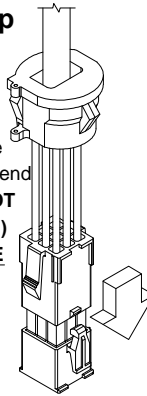
Feeding at Beginning of a Run (BoR / IND)



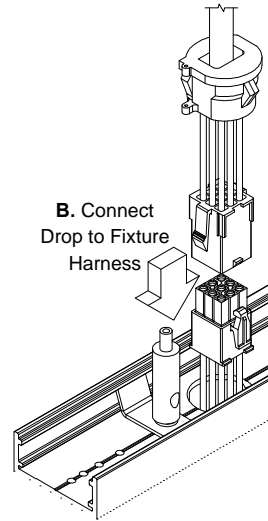
Remove Latch / Install Cable Gripper. Detailed Instructions in kit QLP1-EC

Install Power Drop (Do this **BEFORE** installing End Caps)

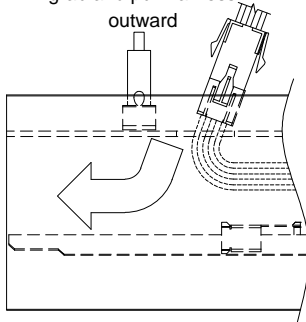
A. Remove **BLACK** dead-end plug (**DO NOT DISCARD!!**)
See Step E Below



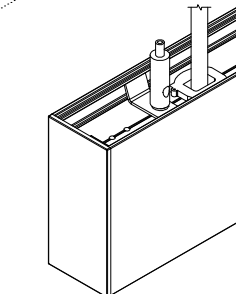
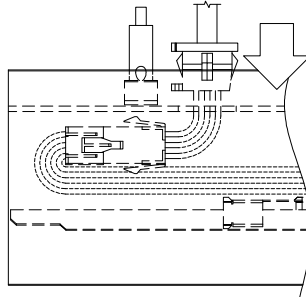
B. Connect Drop to Fixture Harness



C. Feed Harness in at angle as shown. From open end, grab and pull harness outward



D. Insert Strain Relief and snap into provided hole

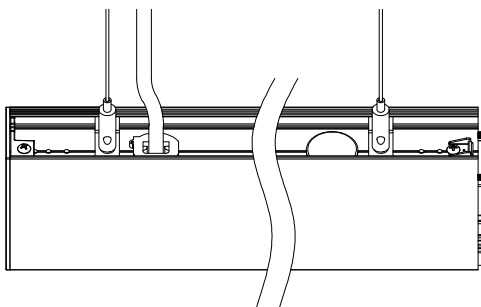


End Cap can be installed after Feed Cord is installed (See Instructions in kit QLP1-EC)

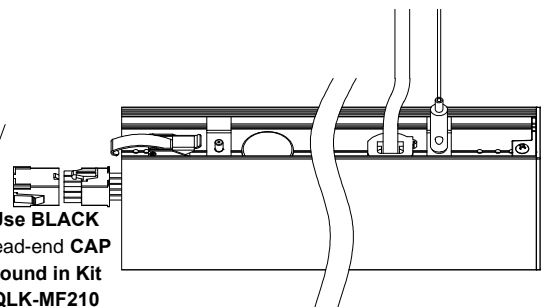
Failure to install feed at an angle as shown will result in LED reflector becoming disengaged.

For runs with (2) or More Feeds (OPTIONAL)

E. If run has (2) or more Power Feeds, Dead-End power harnesses at appropriate fixture breaks using provided **BLACK** Plugs / Caps



Use **BLACK** dead-end **PLUG** Found in Kit QLK-FF210

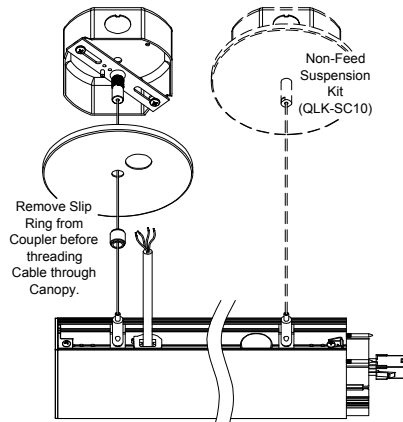


Use **BLACK** dead-end **CAP** Found in Kit QLK-MF210

DO NOT FEED A CONTINUOUS RUN IN (2) OR MORE LOCATIONS.

CONTINUOUS RUN POWER MUST BE BROKEN VIA DEAD-END CAPS/PLUGS

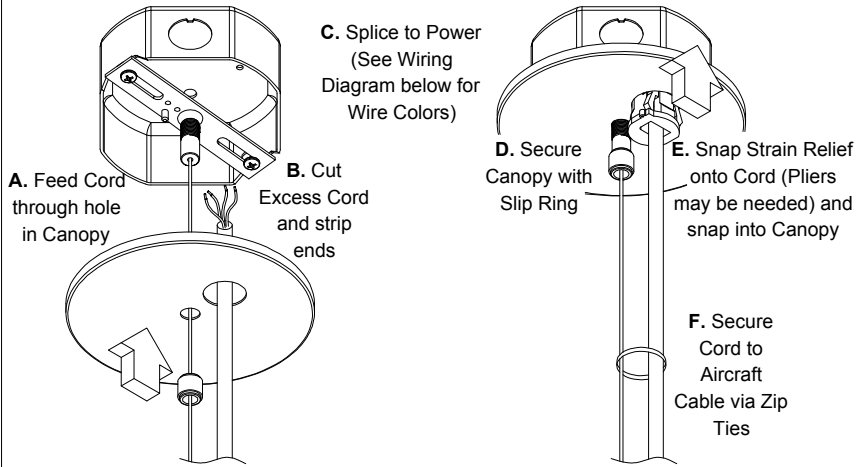
Connecting Fixture/Run to Power @ J-Box



Hang Fixture Section

Detailed Instructions on 689-0733 or 689-0734
(Packed with all QLP1 Fixtures)

Connect Power at J-Box



Wiring Schematic

Wire Colors

Black - Direct Switched Hot	Black / Stripe - Indirect Switched Hot
White - Direct Neutral	White / Stripe - Indirect Neutral
Gray - Direct Dim (-)	Gray / Stripe - Indirect Dim (-)
Purple - Direct Dim (+)	Purple / Stripe - Indirect Dim (+)
Green - Ground	

Dimmer: 0-10V (By Others)

