

DU720HR5-F34

## FEATURES

- Easy accessibility
- Interchangeable ballast pods
- Ease of maintenance

## INSTALLATION

The luminaire will mount to a 3" OD post or tenon with 5/16" black oxide coated stainless steel square head set screws to ensure a solid connection. The diffuser will be held to the fitter by (4) 5/16 black oxide coated stainless steel captive square head set screws.

## ELECTRICAL

- High power factor ballast (HPF), core and coil type, pre-wired and tested (NPF available)
- Toolless access
- 4KV porcelain socket
- ETL label "suitable for wet location"

## LENS

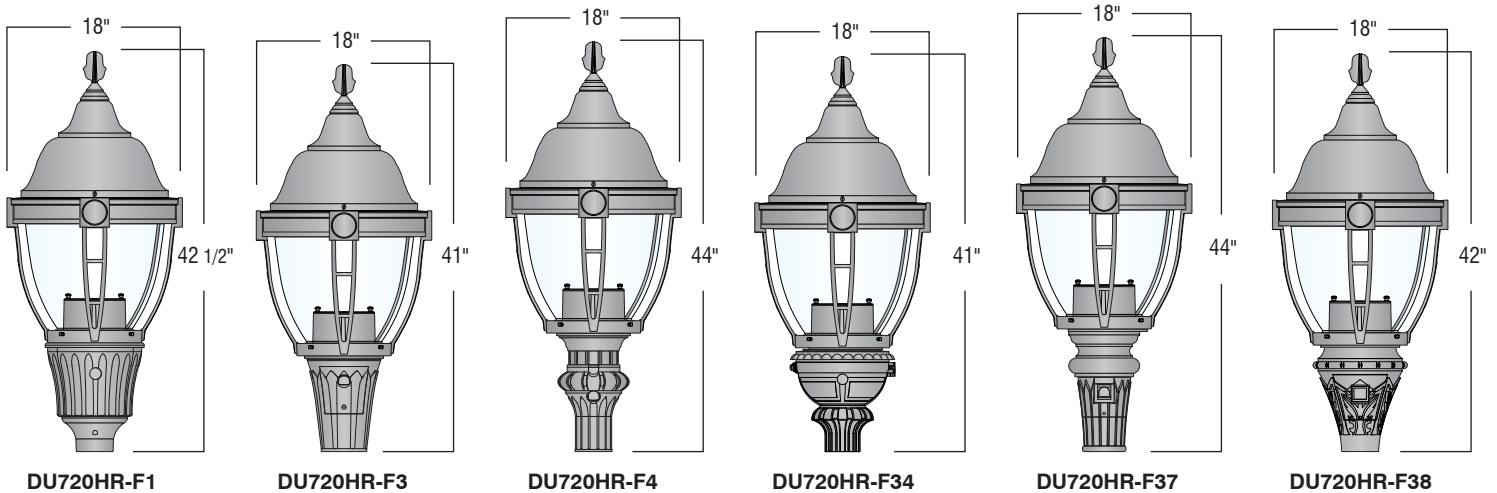
Clear acrylic

## HORIZONTAL REFLECTOR

Specify Type III (HR3) or Type V (HR5)

## FINISH

Premium quality thermoset polyester powdercoat



DU720HR-F1

DU720HR-F3

DU720HR-F4

DU720HR-F34

DU720HR-F37

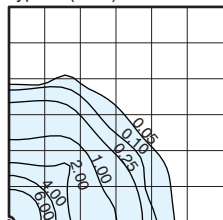
DU720HR-F38

## Standard Photometry

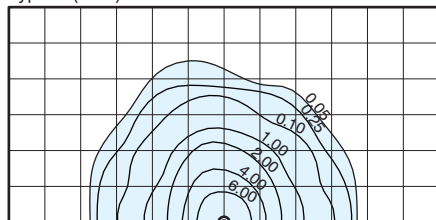
## DU720HR Assembly

Limited to 175MH lamp  
 14,000 Lumen  
 12' Mounting Height  
 Grid Spacing is 12'

### Type V (HR5)



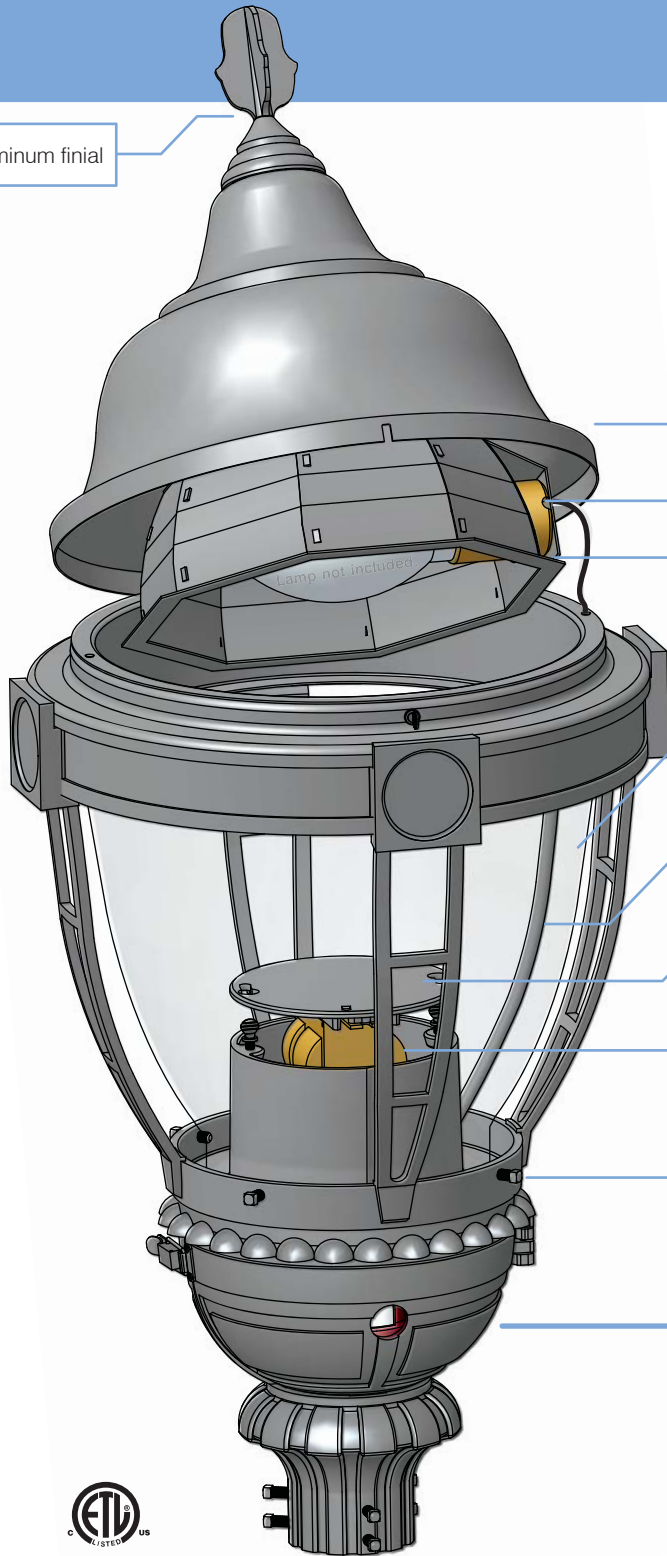
### Type III (HR3)



Cast aluminum finial

## Optical Assembly Details

(Example shown: **DU720HR-F34**)



Hinged spun aluminum cap

4kv Porcelain socket

Horizontal Reflector removes for lamp access.

Clear acrylic lens

Wiring tube

Cast Aluminum plate with keyhole slots for easy tool-less access to electrical assembly

Multitap HID Ballast Assembly  
Please specify desired voltage to terminal block.

(4) 5/16" Black oxide coated stainless steel square head set screws

See pages 3-8 for fitter selections and features.



### Ordering Guide

Optical Assembly	Horizontal Reflector	Fitter	Light Source	Voltage	Finish	Optional Photozell
<b>DU720HR3-F34</b>			<b>100HPS</b>	<b>120v</b>	<b>BLK</b>	<b>PCL-TW</b>
	<b>HR5</b>		<b>100MH, 150MH</b>	<b>208v</b>	<b>CLB, GRN</b>	
			<b>175MH, 150HPS</b>	<b>240v</b>	<b>TBK, ACT</b>	
			<b>250MH, 250HPS</b>	<b>277v</b>	<b>GTG</b>	

Additional light sources, voltages, and custom colors are available. Contact factory for details.