

BR04

Crossarm

PROJECT:

TYPE:

Description

The BR04 Series cross arms feature a strong yet lightweight design for ease of installation. The series can accommodate a wide variety of fixtures. It is designed to be used on a pole with a min. 4" OD shaft.

Construction

Crossarms are shipped as a one piece unit as shown. Crossarms are constructed from ASTM 319 aluminum. Exterior hardware is stainless steel and tamper resistant.

Installation

Crossarms will slip fit a 3" OD post top tenon and attach with two rows of 5/16" dia. set screws. Set screws will be cone pointed and stainless steel. Crossarms and wall brackets are equipped with 3" O.D. tenons for luminaire mounting.

The wall bracket is constructed of corrosion resistant cast aluminum (A319 Alloy). It has a nominal 3" OD tenon for luminaire mounting, and four holes in the back plate for mounting to the wall. (Wall mounting hardware is not included, due to the wide variety of backing materials. Customer should determine the appropriate anchoring hardware based on the wall material.)

Finish

The bracket will be finished with a premium quality thermoset polyester powdercoat for a durable finish.

BLK - Satin Black

CLB - Classic Bronze

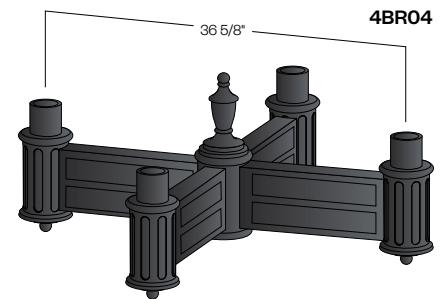
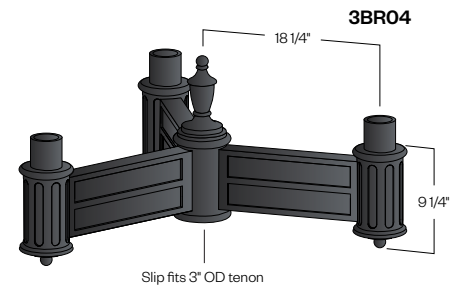
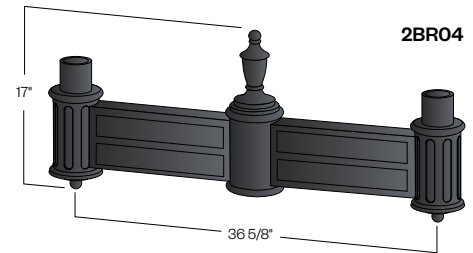
GBZ - Gloss Textured Bronze

GRN - Green

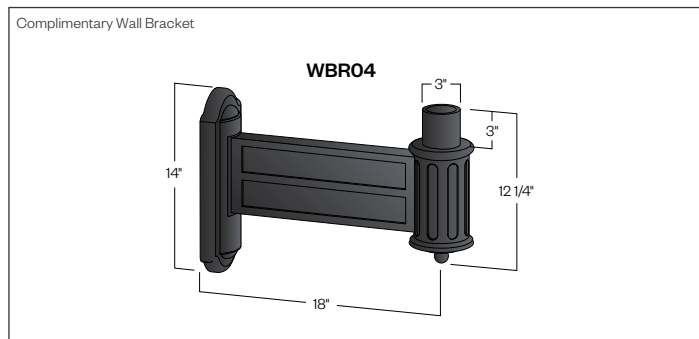
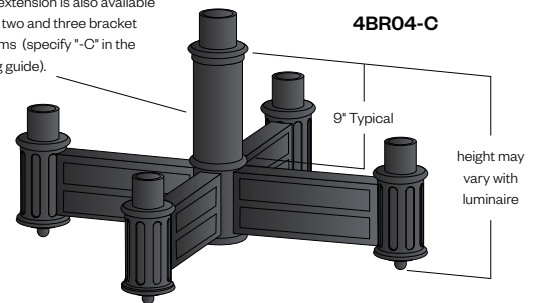
GTB - Gloss Textured Black

TBK - Textured Black

TGR - Gloss Textured Green



Center extension is also available with the two and three bracket crossarms (specify "-C" in the ordering guide).



Model	Finish
2BR04	BLK,CLB
3BR04	GBZ,GRN
4BR04	GTB,TBK
4BR04-C	TGR
WBR04	

Ordering options in **BOLD**