

BR05

Crossarm

PROJECT:

TYPE:

Description

The BR05 Series brackets feature a strong yet lightweight design for ease of installation. The series can accommodate a wide variety of fixtures. The two light bracket can be used on poles with a 3" OD shaft.

Construction

Crossarms are shipped as a one piece unit as shown. Crossarms are constructed from ASTM 319 aluminum. Exterior hardware is stainless steel and tamper resistant.

Installation

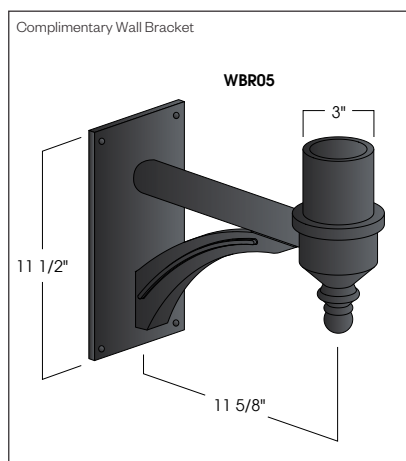
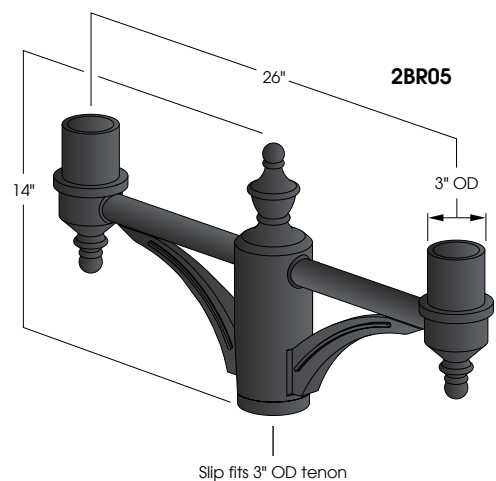
The crossarm will slip fit a 3" OD post top tenon and attach with two rows of 5/16" dia. set screws. Set screws will be cone pointed and stainless steel. Crossarm and wall bracket are equipped with 3" O.D. tenons for luminaire mounting.

The wall bracket is constructed of corrosion resistant cast aluminum (A319 Alloy). It has a nominal 3" OD tenon for luminaire mounting, and four holes in the back plate for mounting to the wall. (Wall mounting hardware is not included, due to the wide variety of backing materials. Customer should determine the appropriate anchoring hardware based on the wall material.)

Finish

The bracket will be finished with a premium quality thermoset polyester powdercoat for a durable finish.

- BLK** - Satin Black
- CLB** - Classic Bronze
- GBZ** - Gloss Textured Bronze
- GRN** - Green
- GTB** - Gloss Textured Black
- TBK** - Textured Black
- TGR** - Gloss Textured Green



Model	Finish
2BR05	BLK,CLB
WBR05	GBZ,GRN
	GTB,TBK
	TGR

Example: **2BR05 / BLK**