

BR07

Crossarm



PROJECT:

TYPE:

Description

The BR07 Series cross arms feature a strong yet lightweight design for ease of installation. The series can accommodate a wide variety of fixtures. It is designed to be used on a pole with a min. 4" OD shaft.

Construction

Crossarms are shipped as a one piece unit as shown. Crossarms are constructed from ASTM 319 aluminum. Exterior hardware is stainless steel and tamper resistant.

Installation

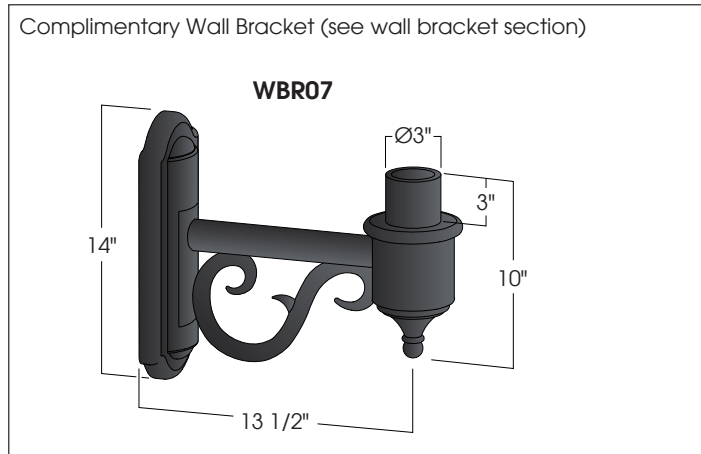
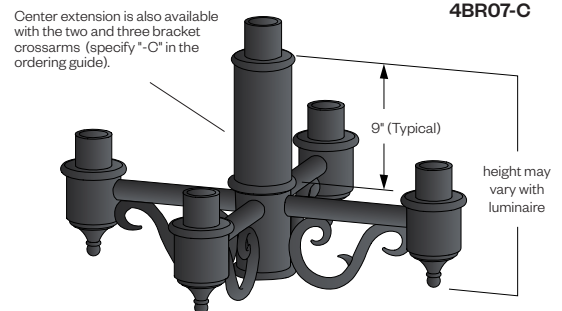
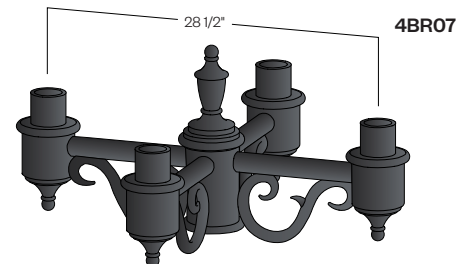
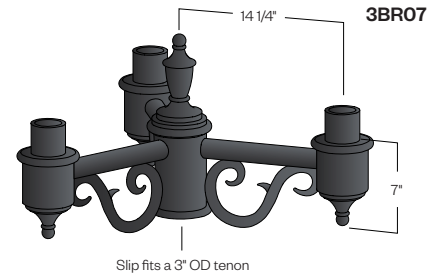
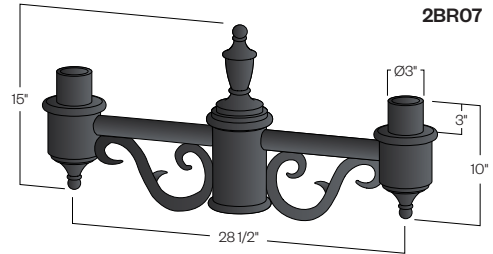
Crossarms will slip fit a 3" OD post top tenon and attach with two rows of 5/16" dia. set screws. Set screws will be cone pointed and stainless steel. Crossarms and wall brackets are equipped with 3" O.D. tenons for luminaire mounting.

The wall bracket is constructed of corrosion resistant cast aluminum (A319 Alloy). It has a nominal 3"OD tenon for luminaire mounting, and four holes in the back plate for mounting to the wall. (Wall mounting hardware is not included, due to the wide variety of backing materials. Customer should determine the appropriate anchoring hardware based on the wall material.)

Finish

The bracket will be finished with a premium quality thermoset polyester powdercoat for a durable finish.

- BLK** - Satin Black
- CLB** - Classic Bronze
- GBZ** - Gloss Textured Bronze
- GRN** - Green
- GTB** - Gloss Textured Black
- TBK** - Textured Black
- TGR** - Gloss Textured Green



Model	Finish
2BR04	BLK,CLB GBZ,GRN GTB,TBK TGR
3BR04	
4BR04	
4BR04-C	
WBR04	

Ordering options in **BOLD**