

Lunetta

18" LED Pedestrian & Area Luminaire

LUN18 / WHT



Features

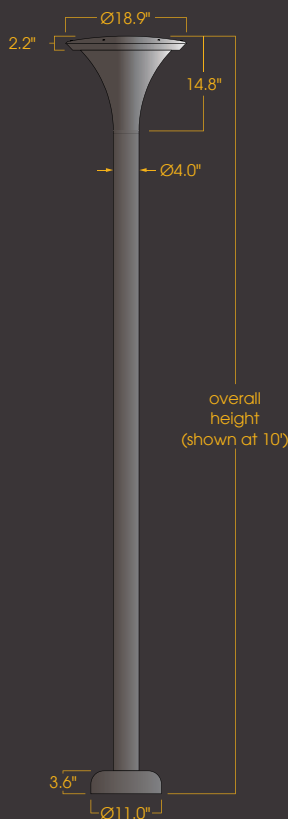
Conventional exterior lighting, no matter how utilitarian or thoughtful the design aesthetic, involves a bright luminaire and a dark pole. "Lunetta" breaks from convention by allowing both luminaire and pole to become illuminated as one. A straight round 4" aluminum pole emanates from the ground and begins to flare until gracefully reaching the recessed light source running around the perimeter. The LEDs graze light down the face of the flared luminaire and post creating a comfortable yet efficient lighting element.

Product Overview

Wattage:	35W
Lumen Output:	2,890 lm
Color Temp:	3,000K / 3,500K / 4,000K
Dimming:	0-10v
Max Height:	14 feet
Diameter	18 inches

PROJECT:

TYPE:



Description:

Lighting for exterior retail and hospitality environments, university and corporate campuses, or any outdoor meeting space.

LED Array:

(60) 4,000K Mid flux SMD LEDs delivering approximately 2,800 lm from a white luminaire. Sealed under polycarbonate optical lens, resistant to UV and thermal shock. It runs at approximately 45W.

LED Driver Module:

- Electronic driver operates at 850mA with 120v-277V AC input
- 0-10v dimming

Materials:

Base - Cast aluminum (356-T6)
 Shaft - Extruded aluminum (6063-T6)
 Anchor Bolts - Hot dipped galvanized steel
 Luminaire - Spun aluminum (6063)

ETL listed, suitable for wet locations.

Finish:

Premium quality thermoset polyester powdercoat for a durable finish.

ANT - Anthracite Gray

SDS - Stardust Silver

WHT - White

Custom _____

Lunetta

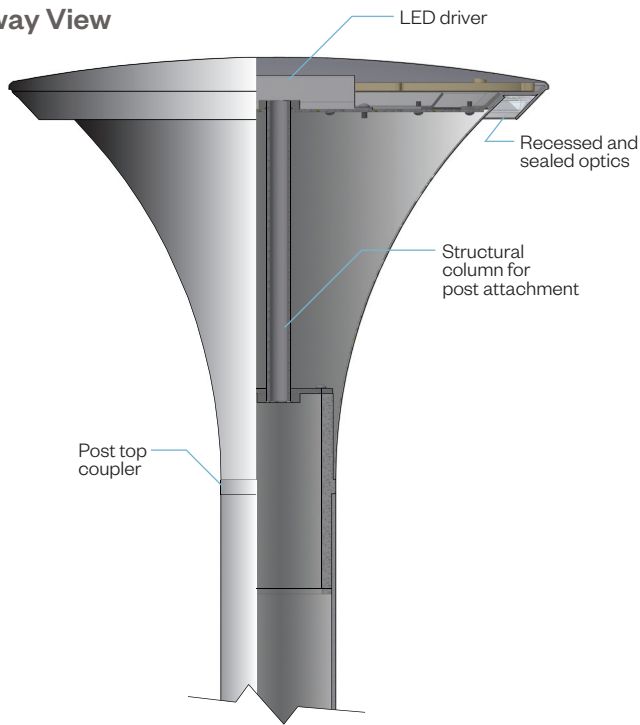
18" LED Pedestrian & Area Luminaire



PROJECT:

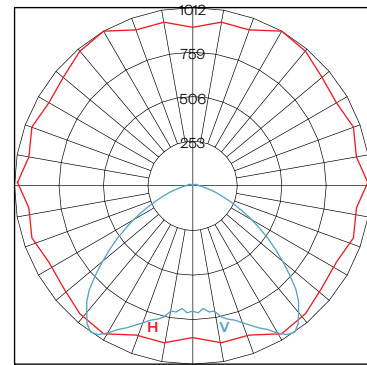
TYPE:

Cutaway View



Performance

Polar Graph
LUN18 / 40 / WHT



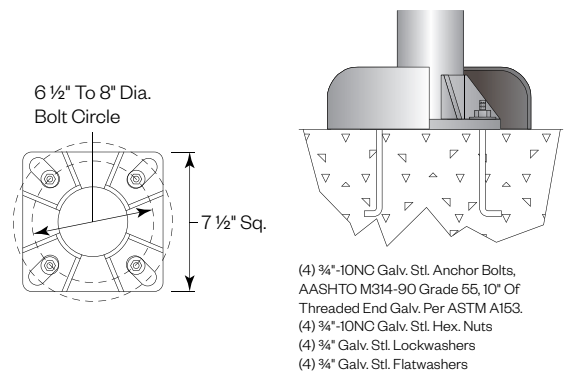
Maximum Candela = 1012
Located At Horizontal Angle = 60
Vertical Angle = 35
H - Horizontal Axial Candela
V - Vertical Axial Candela
B1-U3-G1

Weights

LUN18	Overall Height	Weight
LUN18-10	10'-0"	34 lbs
LUN18-12	12'-0"	38 lbs
LUN18-14	14'-0"	41 lbs

Luminaire weight is 9lbs

Anchorage Details



Ordering Information

LUN28	Overall Height	CCT	Nominal Input Power	Finish
LUN18-10	10'-0"	30 (3,000K)	35W	ANT SDS WHT CSTM _____
LUN18-12	12'-0"	35 (3,500K)		
LUN18-14	14'-0"	40 (4,000K)		

Ordering options in **BOLD**

Lunetta

18" LED Wall Mount Luminaire



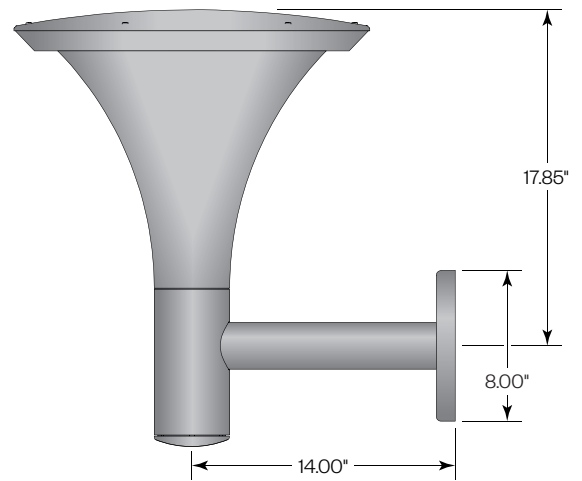
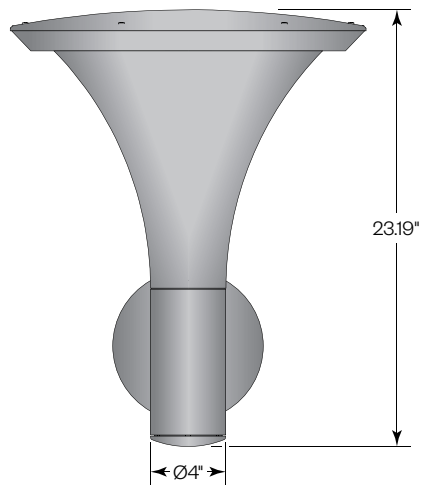
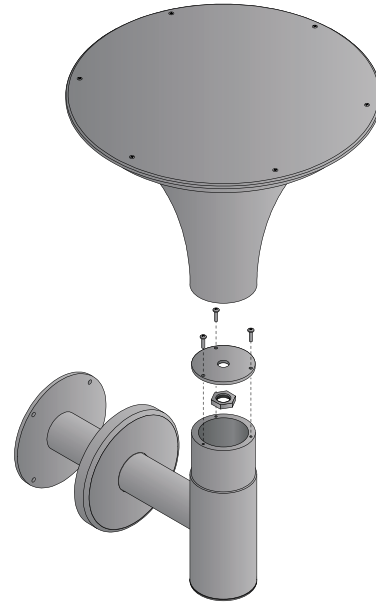
PROJECT:

TYPE:

Wall Mounted View



Assembly View



Ordering Information

LUN28	CCT	Nominal Input Power	Finish
LUN18-WM	30 (3,000K) 35 (3,500K) 40 (4,000K)	35W	ANT SDS WHT CSTM _____

Ordering options in **BOLD**