

Lunetta

18" LED Pedestrian & Area Luminaire

LUN18 / WHT



Features

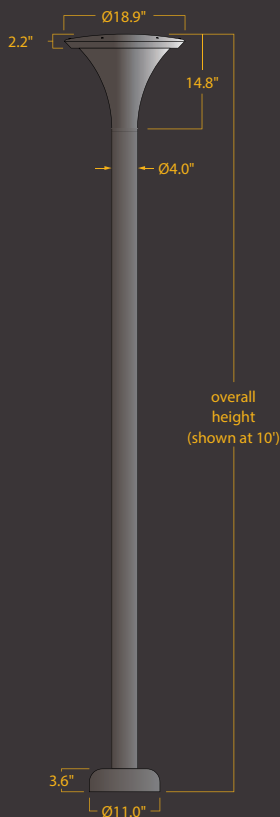
Conventional exterior lighting, no matter how utilitarian or thoughtful the design, involves a bright luminaire and a dark pole. Lunetta™ breaks from convention by allowing both luminaire and pole to become illuminated as one. A straight round 4" aluminum pole emanates from the ground and begins to flare until gracefully reaching the recessed light source running around the perimeter. The LEDs graze light down the face of the flared luminaire and post creating a comfortable yet efficient lighting element.

Product Overview

| | |
|---------------|--------------------------|
| Wattage: | 35W |
| Lumen Output: | 2,890 lm |
| Color Temp: | 3,000K / 3,500K / 4,000K |
| Dimming: | 0-10v |
| Max Height: | 14 feet |
| Diameter | 18 inches |

PROJECT:

TYPE:



Description:

Lighting for exterior retail and hospitality environments, university and corporate campuses, or any outdoor meeting space.

LED Array:

(60) Mid flux SMD LEDs delivering approximately 2,800 lm at 4,000K from a white luminaire. Sealed under polycarbonate optical lens, resistant to UV and thermal shock. It runs at approximately 35W.

LED Driver Module:

- Electronic driver operates at 850mA with 120v-277V AC input
- 0-10v dimming

Materials:

Base - Cast aluminum (356-T6)
 Shaft - Extruded aluminum (6063-T6)
 Anchor Bolts - Hot dipped galvanized steel
 Luminaire - Spun aluminum (3003)

ETL listed, suitable for wet locations.

Finish:

Premium quality thermoset polyester powdercoat for a durable finish.

ANT - Anthracite Gray

SDS - Stardust Silver

WHT - White

Custom _____

Lunetta

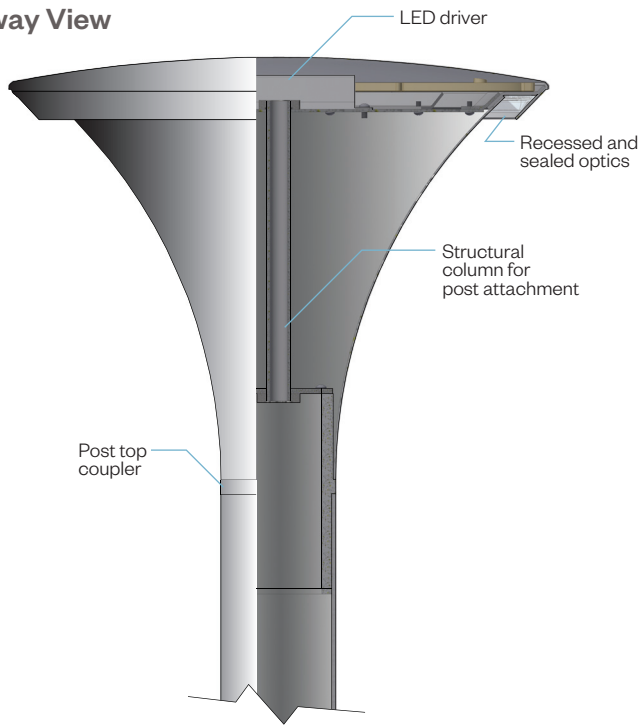
18" LED Pedestrian & Area Luminaire



PROJECT:

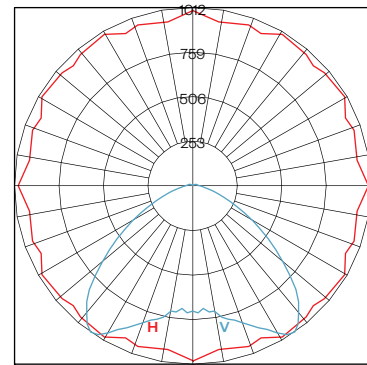
TYPE:

Cutaway View



Performance

Polar Graph
LUN18 / 40 / WHT



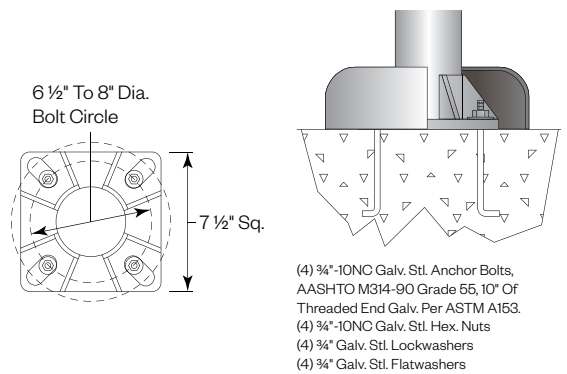
Maximum Candela = 1012
Located At Horizontal Angle = 60
Vertical Angle = 35
H - Horizontal Axial Candela
V - Vertical Axial Candela
B1-U3-G1

Weights

| LUN18 | Overall Height | Weight |
|-----------------|----------------|--------|
| LUN18-10 | 10'-0" | 34 lbs |
| LUN18-12 | 12'-0" | 38 lbs |
| LUN18-14 | 14'-0" | 41 lbs |

Luminaire weight is 9lbs

Anchorage Details



Ordering Information

| LUN28 | Overall Height | CCT | Nominal Input Power | Finish |
|-----------------|----------------|--------------------|---------------------|-------------------|
| LUN18-10 | 10'-0" | 30 (3,000K) | 35W | ANT |
| LUN18-12 | 12'-0" | 35 (3,500K) | | SDS |
| LUN18-14 | 14'-0" | 40 (4,000K) | | WHT |
| | | | | CSTM _____ |

Ordering options in **BOLD**

Lunetta

18" LED Wall Mount Luminaire

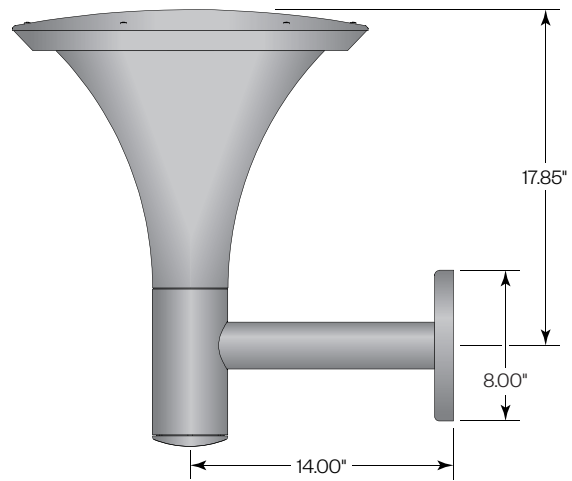
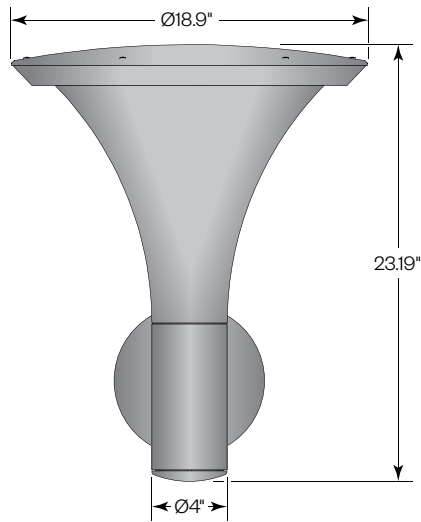
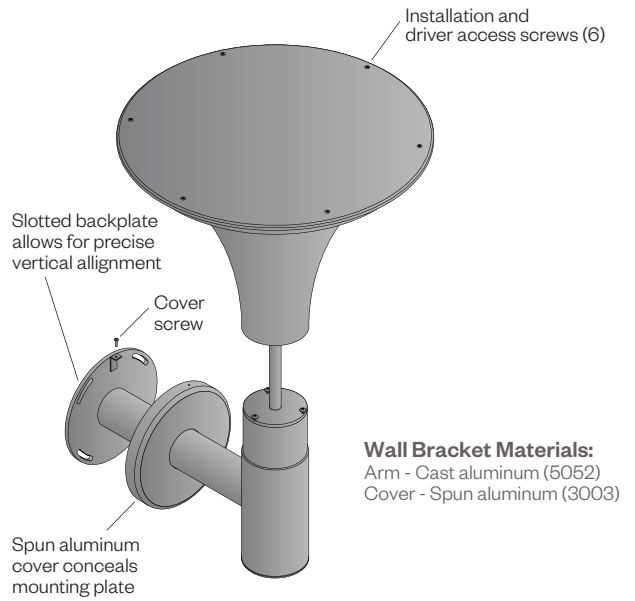
PROJECT:

TYPE:

Wall Mounted View



Assembly View



Ordering Information

| LUN28 | CCT | Nominal Input Power | Finish |
|-----------------|--|---------------------|--|
| LUN18-WM | 30 (3,000K) 35 (3,500K) 40 (4,000K) | 35W | ANT SDS WHT CSTM _____ |

Ordering options in **BOLD**