

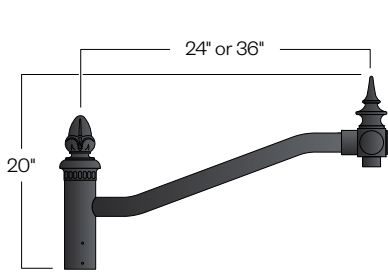
PENDANT BRACKETS



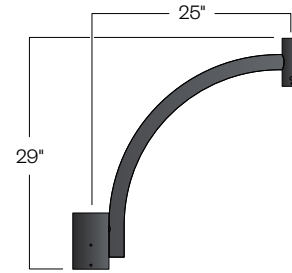
PROJECT:

TYPE:

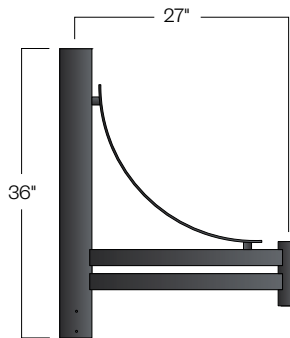
Center column slip fits 4"OD x 6" tenon or 4"OD shaft.



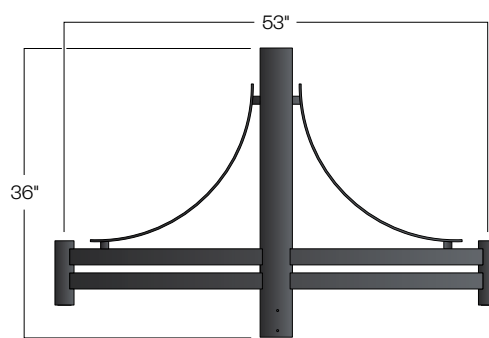
CBR01-1-36 or CBR01-1-24



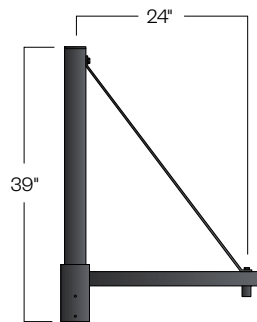
CBR02-1-24



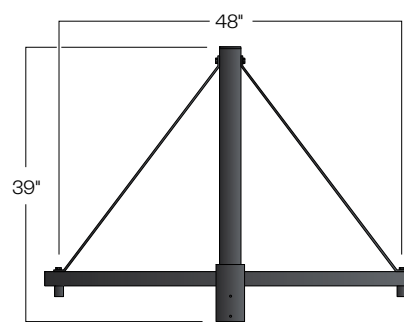
CBR41-1-24



CBR41-2-24

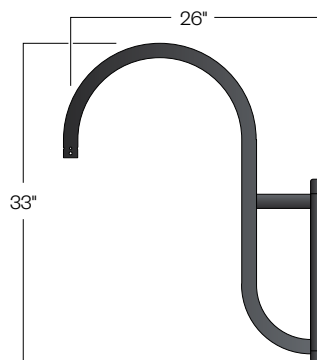


CBR40-1-24

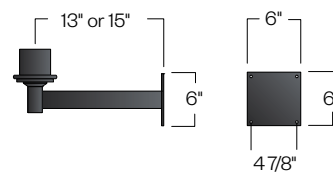
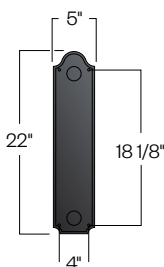


CBR40-2-24

Miscellaneous Wall Brackets



WBR10-C



**WBR06-13
or
WBR06-15**