

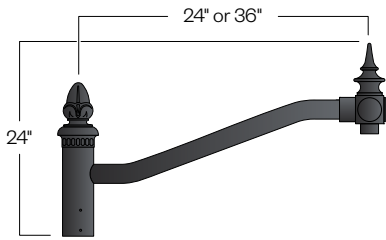
PENDANT BRACKETS



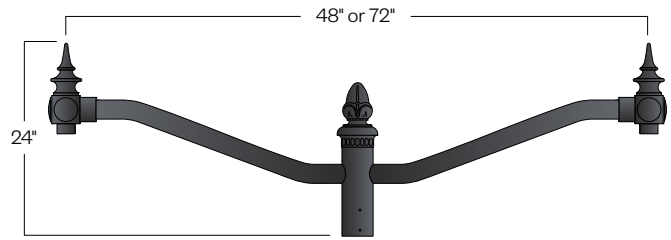
PROJECT:

TYPE:

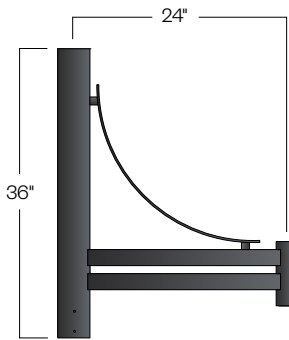
Center column slip fits 4"OD x 6" tenon or 4"OD shaft.



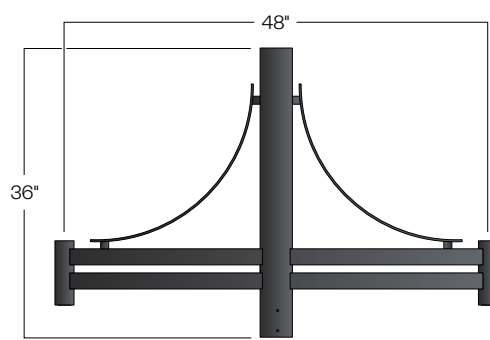
CBR01-1-24 or
CBR01-1-36



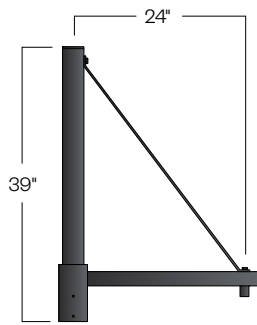
CBR01-2-24 or
CBR01-2-36



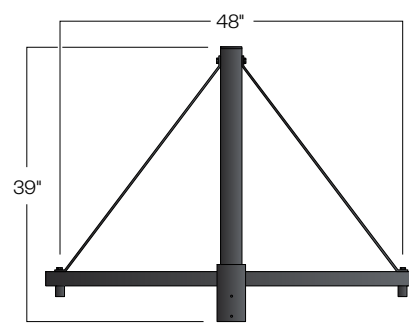
CBR41-1-24



CBR41-2-24

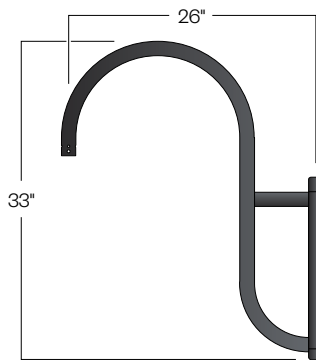


CBR40-1-24

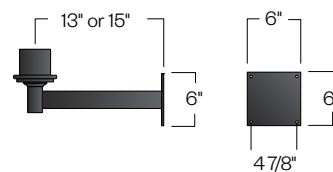
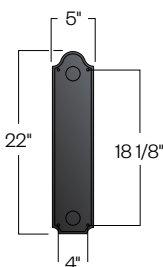


CBR40-2-24

Miscellaneous Wall Brackets



WBR10-C



WBR06-13
or
WBR06-15