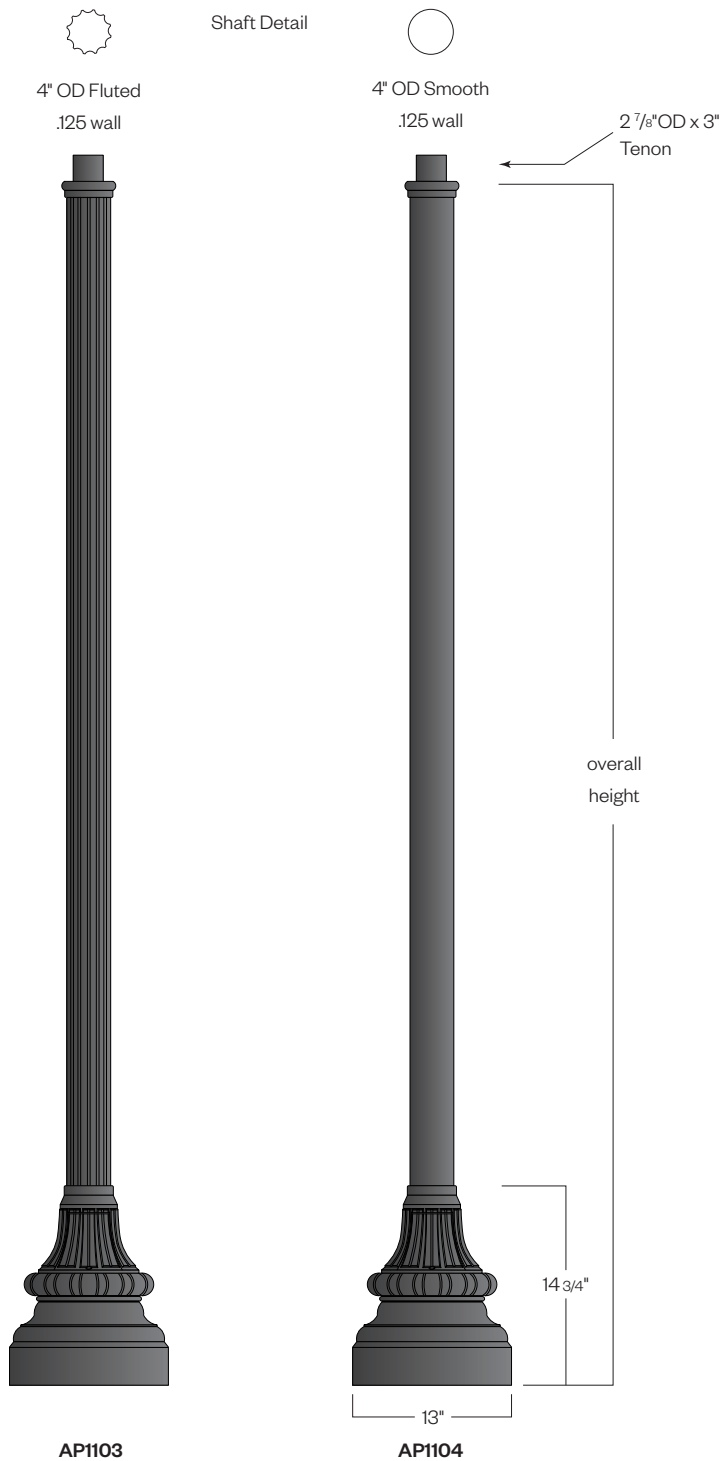


ABILENE 13" SERIES

U.4.20.17



Features:

13" diameter fluted and tapered aluminum base cast from a permanent mold

Choice of extruded shafts

- 4" OD fluted (12 flutes) .125 wall
- 4" OD smooth round .125 wall

Extruded shaft is circumferentially welded to the base

Access door for anchor bolts and wiring is secured with stainless steel screws

Ground lug provided inside base

Materials:

Base - Cast aluminum (356-T6)

Shaft - Extruded Aluminum (6063-T6)

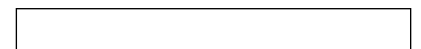
Anchor Bolts - Hot dipped galvanized steel

Finish:

Premium quality thermoset polyester powdercoat for a durable finish.

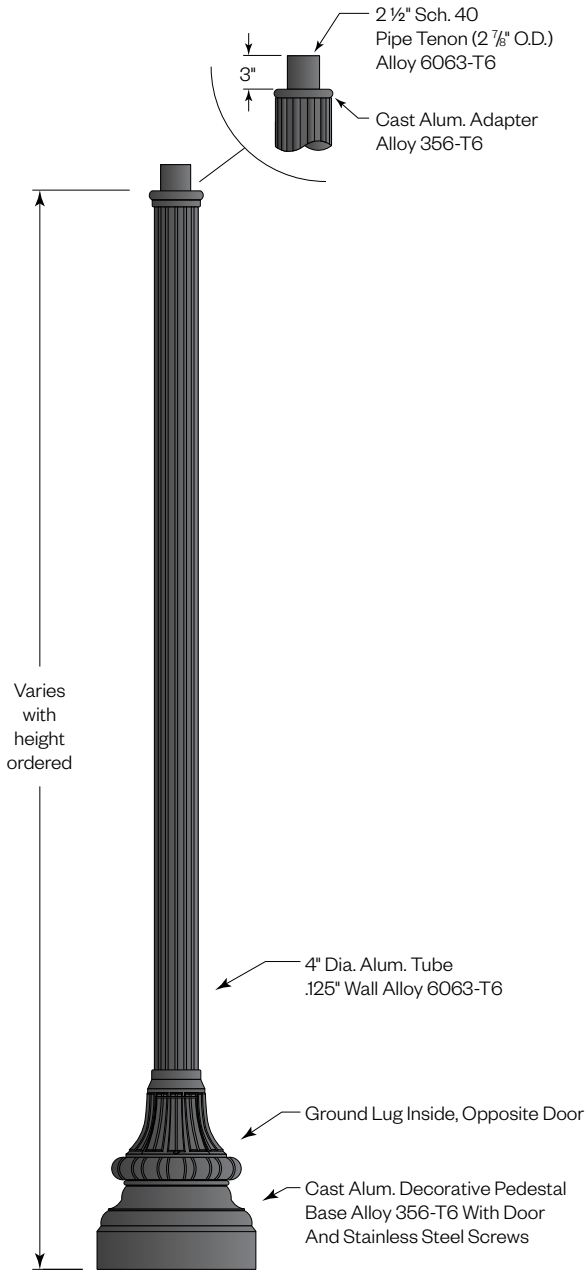


Part String



Example: AP1104-10/BLK

AP1103	AP1104	Overall Height	Finish	Accessories
AP1103-08	AP1104-08	8'-0"	BLK,CLB GBZ,GRN GTB,TBK TGR	BA18-FRC4 BA24-FRC4
AP1103-10	AP1104-10	10'-0"		FPH-4 FPH-5
AP1103-12	AP1104-12	12'-0"		GFCI



FINISH:

The post will be finished with an electrostatically applied thermoset polyester powder coat. Prior to finishing, the parts are thoroughly cleaned. Our powder coat finish is durable, long lasting, attractive and scratch resistant as well as environmentally friendly. We offer 7 stock finishes or hundreds of special order colors including custom matching for existing projects (additional charges apply).

BLK - Satin Black

CLB - Classic Bronze

GBZ - Gloss Textured Bronze

GRN - Green

GTB - Gloss Textured Black

TBK - Textured Black

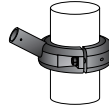
TGR - Gloss Textured Green

Accessories

See "Accessories" section for more information



Banner Arms
Single or double sided field rotatable banner arms.
BA18 (18") or BA24 (24") banner arms
FRC4 (4"OD shaft) or FRC5 (5"OD shaft)
Add a (2) for a double arm. Example: 2BA18-FRC4

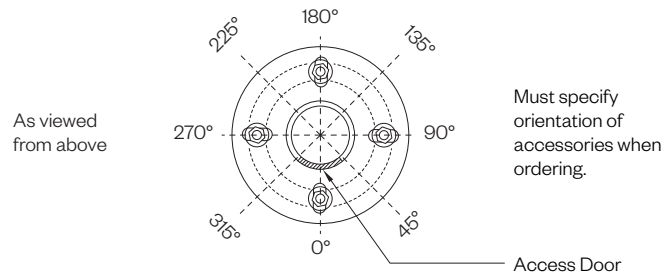


FPH-4
Extruded aluminum holder for 1" OD flag poles.
Available for 4" OD non-tapered pole.

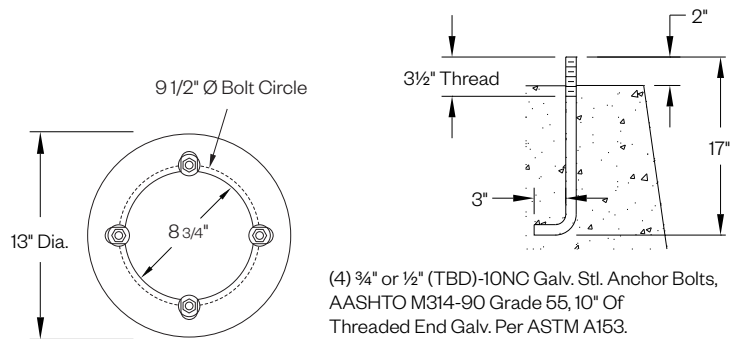


GFCI
Ground fault circuit protected duplex outlet. Available
Recess mounted (GFCI-RM) as shown or surface mount (GFCI-SM).

Accessory Orientation Guide



Anchor Details



- (4) 3/4" or 1/2" (TBD)-10NC Galv. Stl. Anchor Bolts, AASHTO M314-90 Grade 55, 10" Of Threaded End Galv. Per ASTM A153.
- (4) 3/4"-10NC Galv. Stl. Hex. Nuts
- (4) 3/4" Galv. Stl. Lockwashers
- (4) 3/4" Galv. Stl. Flatwashers

Anchor bolts and templates can be requested prior to product shipment.

