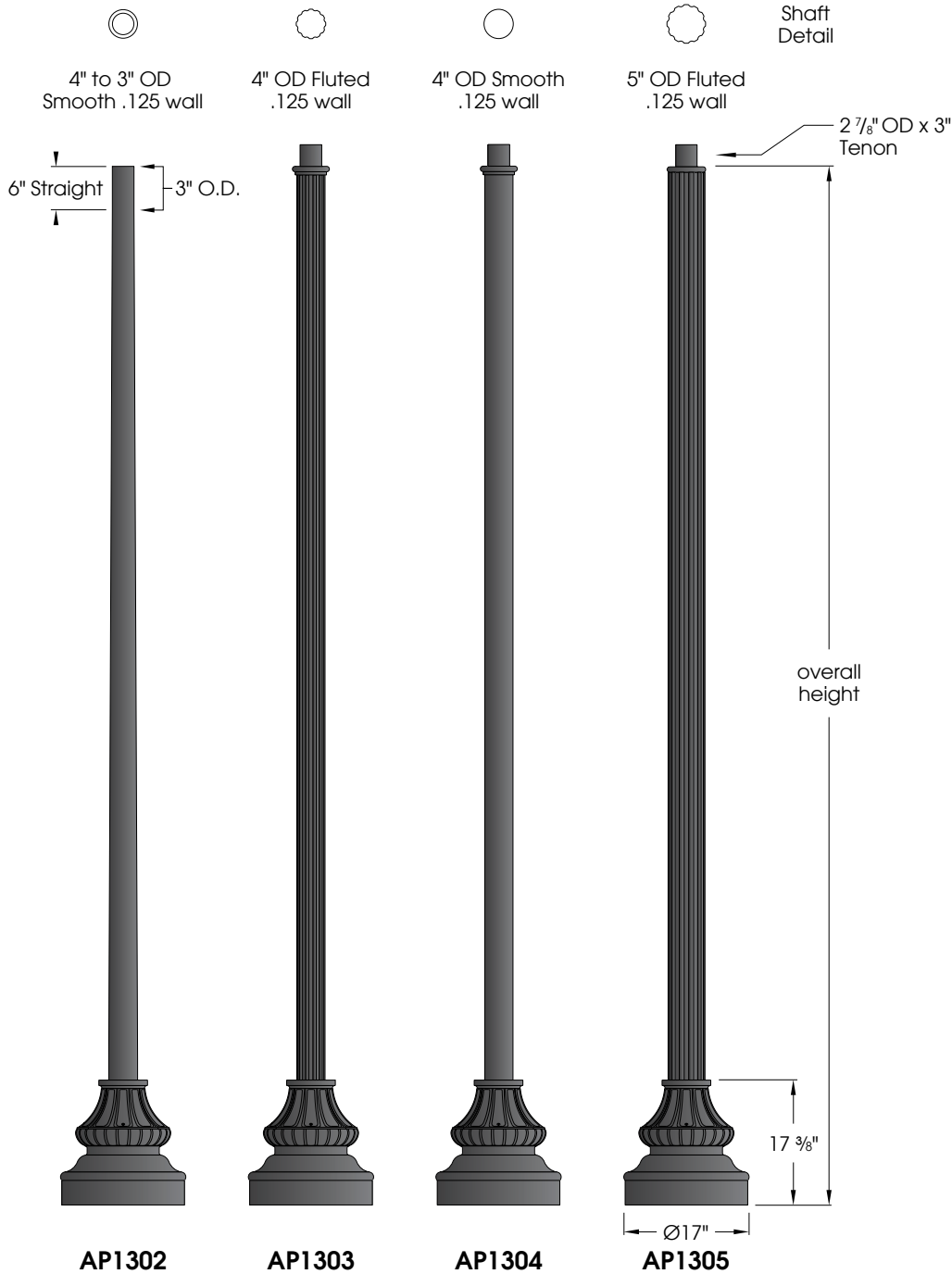


Abilene 17" Series

U.1.11.16



Features:

17" diameter fluted and tapered aluminum base cast from a permanent mold

Choice of extruded shafts

- 4" to 3" OD smooth tapered
- 4" OD fluted (12 flutes) .125 wall
- 4" OD smooth round .125 wall
- 5" OD fluted (12 flutes) .125 wall

Extruded shaft is circumferentially welded to the base

Access door for anchor bolts and wiring is secured with stainless steel screws

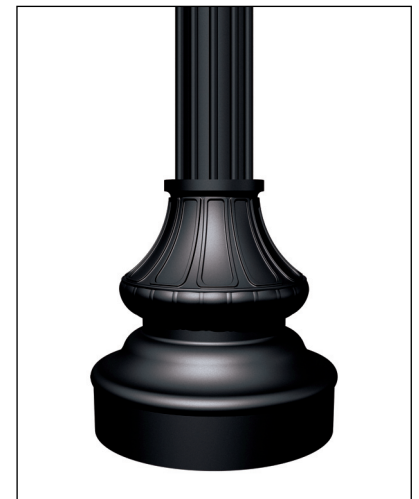
Ground lug provided inside base

Materials:

Base - Cast aluminum (356-T6)
 Shaft - Extruded Aluminum (6063-T6)
 - Tapered Aluminum (6063-T6)
 Anchor Bolts - Hot dipped galvanized steel

Finish:

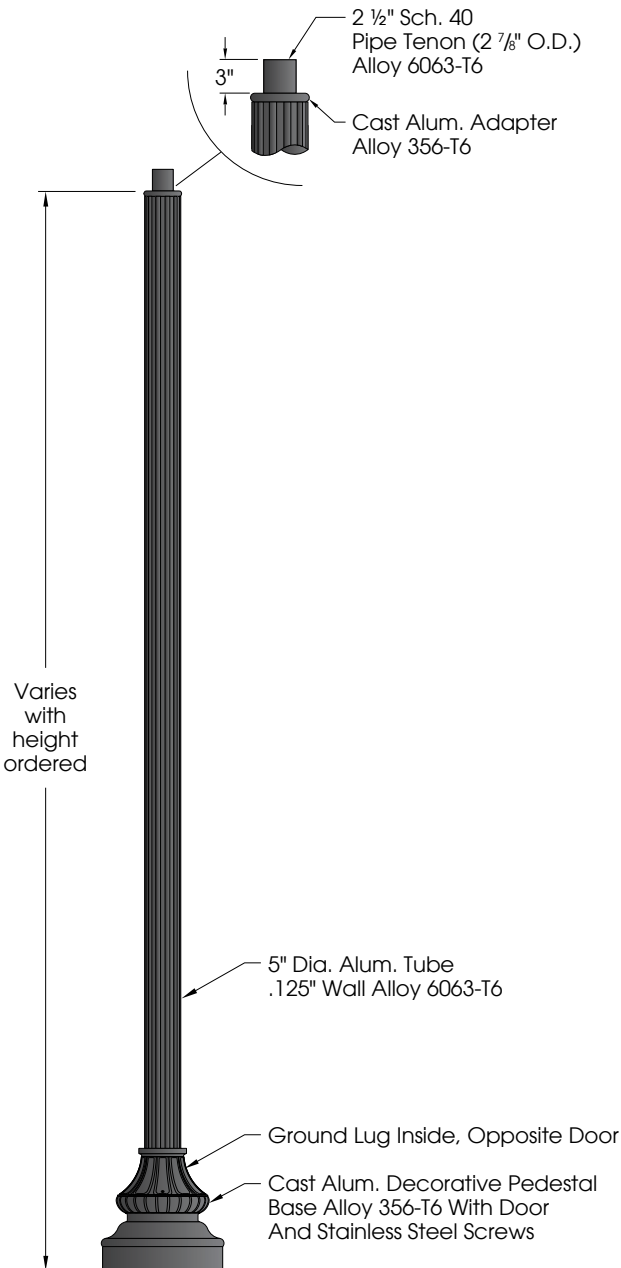
Premium quality thermoset polyester powdercoat for a durable finish.



Part String

Example: AP1304-10/BLK

AP1302	AP1303	AP1304	AP1305	Overall Height	Finish	Accessories
AP1302-08	AP1303-08	AP1304-08	AP1305-08	8'-0"	BLK CLB GBZ GRN GTB TBK TGR	BA18 BA24 FPH-4 FPH-5 GFCI
AP1302-10	AP1303-10	AP1304-10	AP1305-10	10'-0"		
AP1302-12	AP1303-12	AP1304-12	AP1305-12	12'-0"		
AP1302-14	AP1303-14	AP1304-14	AP1305-14	14'-0"		
AP1302-16	AP1303-16	AP1304-16	AP1305-16	16'-0"		




Finish
 The post will be finished with an electrostatically applied thermoset polyester powder coat. Prior to finishing, the parts are thoroughly cleaned. Our powder coat finish is durable, long lasting, attractive and scratch resistant as well as environmentally friendly. We offer 7 stock finishes or hundreds of special order colors including custom matching for existing projects (additional charges apply).

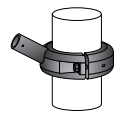
- BLK** - Satin Black
- CLB** - Classic Bronze
- GBZ** - Gloss Textured Bronze
- GRN** - Green
- GTB** - Gloss Textured Black
- TBK** - Textured Black
- TGR** - Gloss Textured Green

Accessories

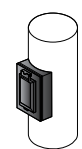
See "Accessories" section for more information



Banner Arms
 Single or double sided field rotatable banner arms.
BA18 (18") or **BA24** (24") banner arms
FRC4 (4"OD shaft) or **FRC5** (5"OD shaft)
 Add a (2) for a double arm. Example: **2BA18-FRC4**

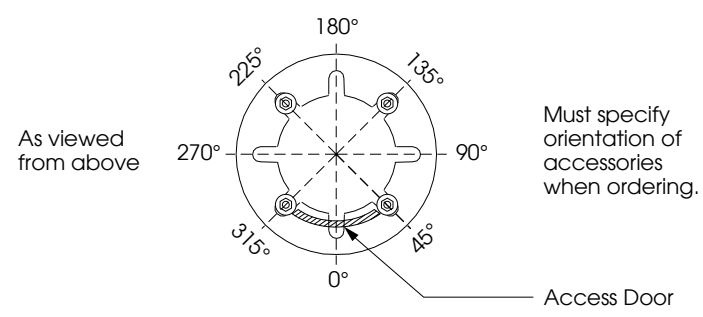


FPH-4
 Extruded aluminum holder for 1" OD flag poles. Available for 4" OD non-tapered pole.

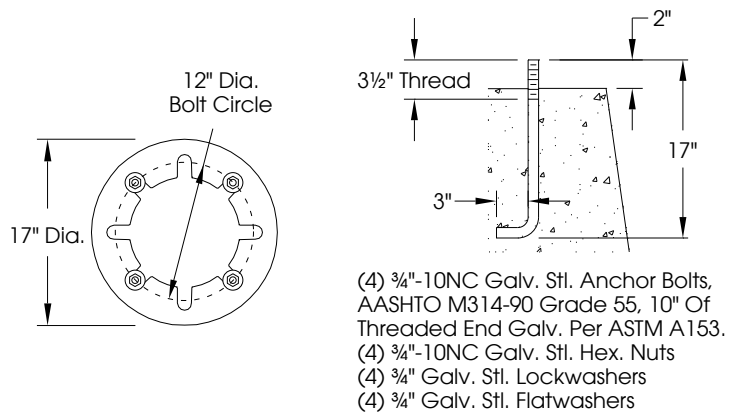


GFCI
 Ground fault circuit protected duplex outlet. Available Recess mounted (GFCI-RM) as shown or surface mount (GFCI-SM).

Accessory Orientation Guide



Anchor Details



Anchor bolts and templates can be requested prior to product shipment.

