

Acion

Small LED Accent

ACCS / BLK



Features

The Amerlux Accent luminaire employs solid state technology and precision engineering to provide small scale LED solutions in landscape and architecture layouts. All components are encapsulated inside a single attractive enclosure designed for superior performance in weather resistant applications. Offered in a choice of beam spreads, finishes, and color temperatures, two mounting options and glare shield are also available.

Product Overview

Wattage:	10W
Lumen Output:	710 lm
Color Temp:	2,700K / 3,000K / 3,500K
Dimming:	ELV at 120v only

PROJECT:

TYPE:

CONSTRUCTION:

- Die-cast aluminum
- IP67 sealed optical chamber and integral driver chamber
- Easy “two-screw” integral driver access, does not disturb optical chamber seal
- Flush lens prevents puddles/water deposits in upward facing applications
- Knuckle mount
- Vertical aiming lock, with tamper-resistant tooled locking after final aiming

OPTICS:

- Lumen maintenance: 70% @ 50,000 hours
- 10°, 15°, 30°, 40°, 60°, 60x10, 60x30, 90x60 beam spreads are available with secondary shaping lens

ELECTRICAL:

Integral driver
 Input voltage 120v-277v auto-sensing
 1/2" NPSM wire entry
 Drive current 700mA
 Power consumption 10W
 ELV dimmable at 120v only

ETL listed, suitable for wet locations.

Accessories:

- Ground Spike (**GSP2**)
- Ground Stake (**GSP17**)
- Junction Box (**JBOX**)
- Junction Mount (**JCOV**)

Optical Accessories:

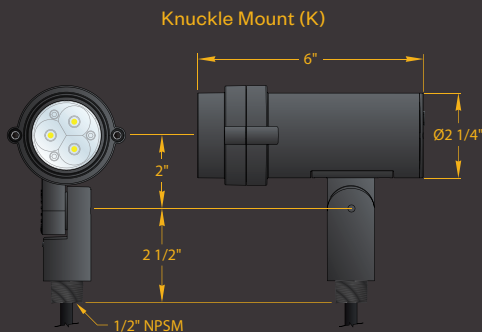
- Hexell Louver (**HCS**)
- Half Glare Shield (**HGS**)

Finish:

Premium quality thermoset polyester powdercoat for a durable finish.

BLK -Satin Black
CLB -Classic Bronze

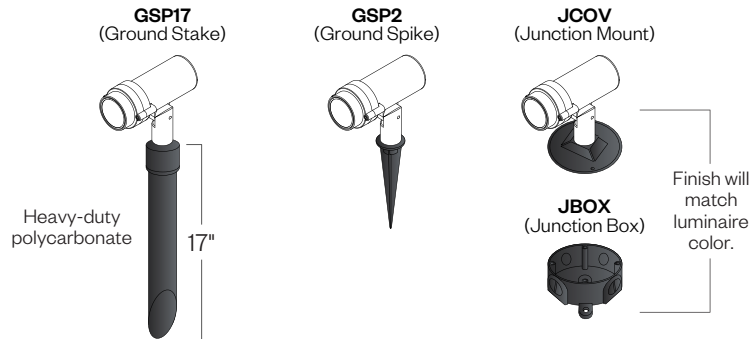
GRN -Green
CSTM -Custom



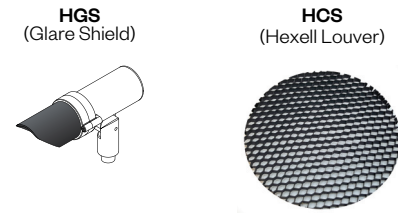
PROJECT:

TYPE:

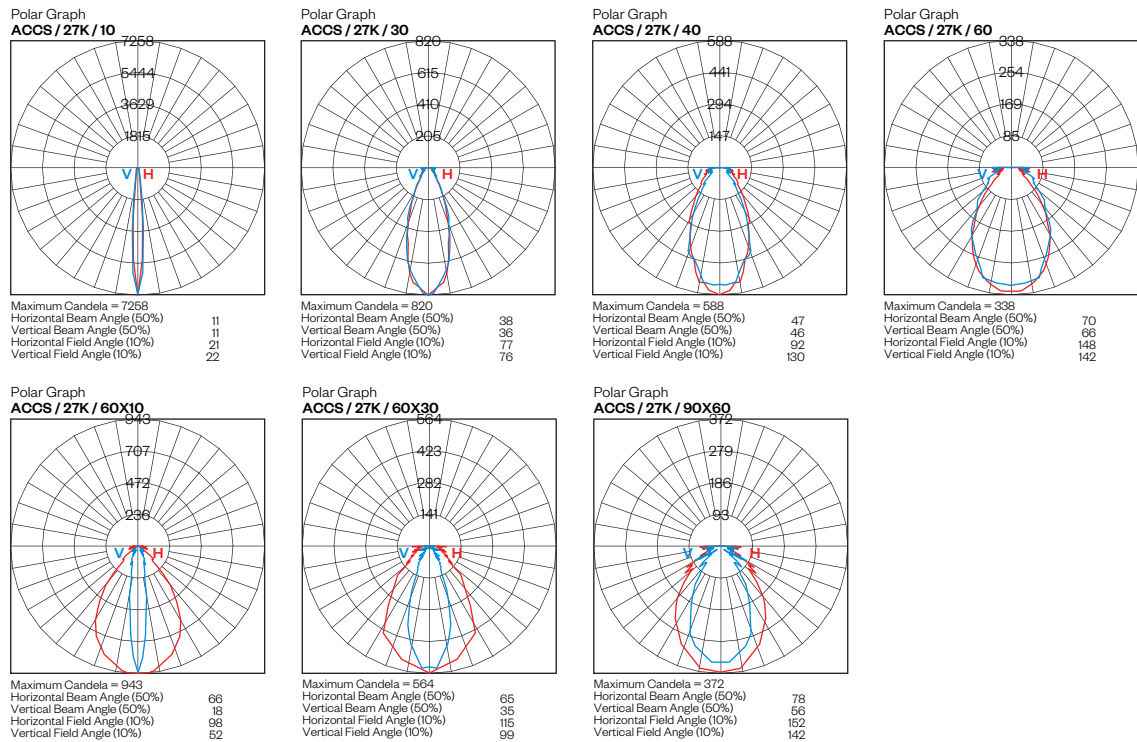
Accessories:



Optical Accessories:



Optical Performance:



Data represents the use of light shaping filters
Complete photometric data (ies format) available upon request

Ordering Information

Model	CCT	Beam Spread	Approx. Lumens	Total Efficacy	Mounting	Finish	Accessories	Optical Accessories		
ACCS	27 (2,700K) 30 (3,000K) 35 (3,500K)	Symmetric Pattern	10 (10°)	630-710	63-71 lm/W	K (Knuckle)	BLK CLB GRN CSTM	GSP17 HGS JBOX JCOV	HCS HGS	
			15 (15°)	600-680	60-68 lm/W					
			30 (30°)	570-650	57-65 lm/W					
			40 (40°)	570-650	57-65 lm/W					
			60 (60°)	540-620	54-62 lm/W					
		Horizontal Pattern	H6010 (60x10)	630-570	63-57 lm/W					
			H6030 (60x30)	570-590	57-59 lm/W					
			H9060 (90x60)	580-610	58-61 lm/W					
			Vertical Pattern	V6010 (60x10)	630-570					63-57 lm/W
				V6030 (60x30)	570-590					57-59 lm/W
		V9060 (90x60)	580-610	58-61 lm/W						

Ordering options shown as **BOLD**. Example: **ACCS/30/10/K/BLK**