

# AO28 LED SERIES LUMINAIRE

U.11.15.18

AO28  
LED

## DESCRIPTION:

Lighting for exterior retail, commercial and hospitality environments. The AO28 Series consists of an efficient Type III (T3) or Type V (T5) refractive acorn combined with one of several styles of cast aluminum fitters. Powered by Amerlux's patented AVISTA® LED system with options for intensity, distribution and color.

## INSTALLATION:

The luminaire will mount to a 3" OD post or tenon with 5/16" black oxide coated stainless steel set screws to ensure a solid connection. The diffuser will be held to the fitter by (4) 5/16"-18 black oxide coated stainless steel captive set screws.

## ELECTRICAL:

- Over voltage and short circuit protected driver
- Series connected 10kV/20kA surge protector
- Automatic AC incoming voltage sensing (120-277v)
- Over voltage and short circuit protection
- 0-10v dimming

**ETL listed, suitable for wet locations.**

## DIFFUSER CHOICES:

- Acrylic Type III (**AC-T3**)
- Acrylic Type V (**AC-T5**)
- Polycarbonate Type III (**PC-T3**)
- Polycarbonate Type V (**PC-T5**)

## FINISH:

Durable thermoset polyester powdercoat finish in the following:

- Satin Black (**BLK**)
- Classic Bronze (**CLB**)
- Gloss Textured Bronze (**GBZ**)
- Green (**GRN**)
- Gloss Textured Black (**GTB**)
- Textured Black (**TBK**)
- Gloss Textured Green (**TGR**)

## LED Board Drive Current:

- 500ma (**500M**)
- 700ma (**700M**)
- 1200ma (**1200M**)

## CCT:

- 2,700K (**27**)
- 3,000K (**30**)
- 4,000K (**40**)

## L70:

50,000+

## ACCESSORIES:

- Cast aluminum Finial (**CFIN**)
- Dusk-to-dawn button type photocell (**PCL**)
- Controls Capable Harness (**CCH**)

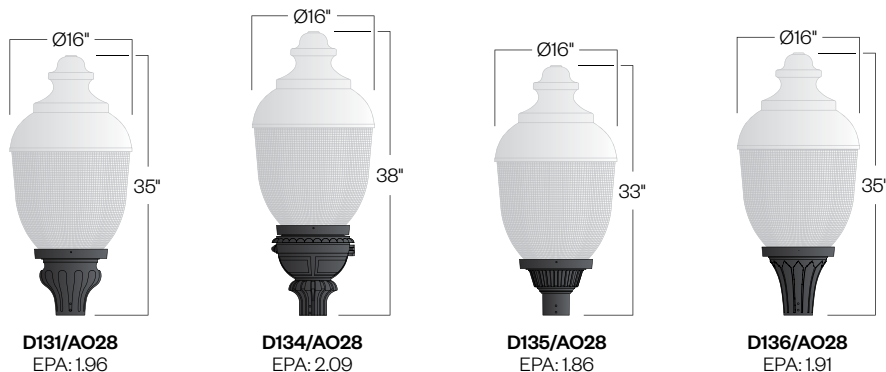


PROJECT:

LOCATION:

FIXTURE TYPE:

NOTES:



Electrostatic sensitive device.  
observe precautions for handling

**5** year limited  
warranty  
AMERLUX LED



## Ordering Information



Add additional accessories as needed.

1

### Model

**D131/AO28**

**D134/AO28**

**D135/AO28**

**D136/AO28**

2

### Diffuser Choices

**AC-T3** - Acrylic Type 3

**AC-T3** - Acrylic Type 3

**PC-T3** - Polycarbonate Type 3

**PC-T3** - Polycarbonate Type 3

3

### LED System

**AVI2-SY** - Symmetric Distribution

4

### CCT

**27** - 2,700K

**30** - 3,000K

**40** - 4,000K

5

### Drive Current

**500M** - 500mA

**700M** - 700mA

**1200M** - 1200mA

6

### Finish

**BLK** - Satin Black

**CLB** - Classic Bronze

**GBZ** - Gloss Textured Bronze

**GRN** - Green

**GTB** - Gloss Textured Black

**TBK** - Textured Black

**TGR** - Gloss Textured Green

**CSTM** - Custom

7

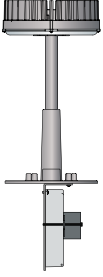
### Accessories

**CFIN** - Cast Aluminum Finial

**PCL** - Dusk-to-dawn button type photocell

**CCH** - Controls Capable Harness

## Engine Only Performance (bold indicates ordering code)

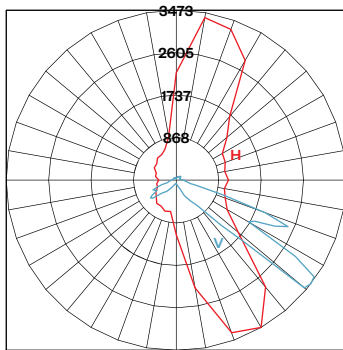


LED System	Driver Output	System Watts	CCT	Engine Only Lumens	Engine Only LPW
AVI2-SY	<b>500M</b> (500mA)	27W	<b>27</b> (2,700K)	3,030 lm	112
			<b>30</b> (3,000K)	3,120 lm	116
			<b>40</b> (4,000K)	3,420 lm	126
	<b>700M</b> (700mA)	38W	<b>27</b> (2,700K)	4,120 lm	109
			<b>30</b> (3,000K)	4,240 lm	112
			<b>40</b> (4,000K)	4,640 lm	123
	<b>1200M</b> (1200mA)	68W	<b>27</b> (2,700K)	6,110 lm	90
			<b>30</b> (3,000K)	7,260 lm	107
			<b>40</b> (4,000K)	7,530 lm	111

Example: D138/AO28/T3/AVI2-SY-700M-27/BLK

## Photometry

AO28-T3-AVI2-SY-40-700M

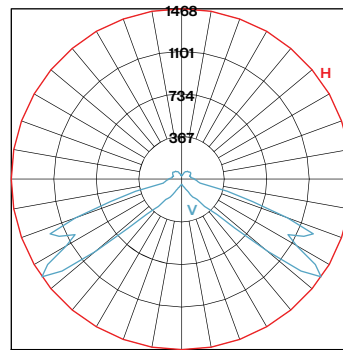


Maximum Candela = 3473  
 Located At Horizontal Angle = 300, Vertical Angle = 52.5  
 Vertical Plane Through Horizontal Angles (300 - 120) (Through Max Cd.)  
 Horizontal Cone Through Vertical Angle (52.5) (Through Max. Cd.)

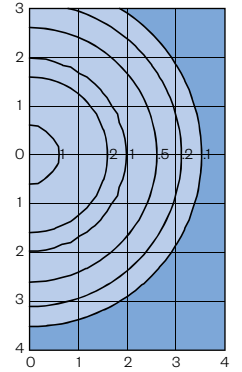


Distance In Units Of Mounting Height  
 Values Based On 10 Ft Mounting Height

AO28-T5-AVI2-SY-40-700M



Maximum Candela = 1468  
 Located At Horizontal Angle = 0, Vertical Angle = 55  
 Vertical Plane Through Horizontal Angles (0 - 180) (Through Max. Cd.)  
 Horizontal Cone Through Vertical Angle (55) (Through Max. Cd.)



Distance In Units Of Mounting Height  
 Values Based On 10 Ft Mounting Height