

# AP24 SERIES UTILITY LUMINAIRE

U.6.10.16

AP24  
UTILITY

## Features

- Easy accessibility
- Interchangeable ballast pods
- Ease of maintenance
- Optional light control

## Installation

The luminaire will mount to a 3" OD post or tenon with 5/16" black oxide coated stainless steel square head set screws to ensure a solid connection. The diffuser will be held to the fitter by (4) 5/16 black oxide coated stainless steel captive square head set screws.

## Electrical

- High power factor ballast (HPF), core and coil type, pre-wired and tested (NPF available)
- Easy ballast pod access
- 4KV porcelain socket
- ETL label "suitable for wet location"

## Accessories:

- Brass band (BB)
- Brass band with rosettes (BB-FW)
- Cast finial (CFIN)
- 90 degree house-side shield (HSS-90)
- 180 degree house-side shield (HSS-180)
- Twist-lock photocell (PCL-TW)

## Diffuser Choices

- Clear textured polycarbonate (PC-CL)
- White polycarbonate (PC-WH)
- Clear acrylic (DR-CL)

## Finish:

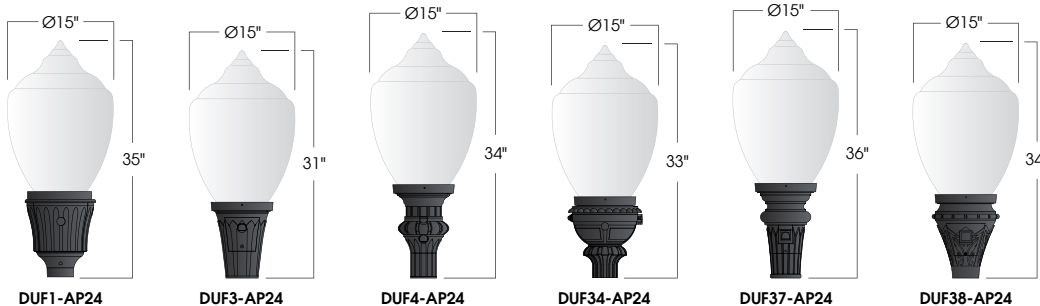
Premium quality thermoset polyester powdercoat for a durable finish in the following:

- BLK** - Satin Black                      **GTB** - Gloss Textured Black  
**CLB** - Classic Bronze                **TBK** - Textured Black  
**GBZ** - Gloss Textured Bronze      **TGR** - Gloss Textured Green  
**GRN** - Green



PROJECT:

TYPE:



## Ordering Information:

Model	Diffuser Material-Color	Optical Option	Light Source	Voltage	Finish	Accessory
DUF1-AP24	PC-CL PC-WH DR-CL	L3 L5 LVR FDR	50,70MH	120v 208v 240v 277v	BLK	BB
DUF3-AP24			100,150MH		CLB	BB-FW
DUF4-AP24			175,250MH-PS		GBZ	CFIN
DUF34-AP24			50,70HPS		GRN	HSS-90
DUF37-AP24			100,150HPS		GTB	HSS-180
DUF38-AP24			250HPS		TBK	PCL-TW
			CFL13,26,32,42		TGR	
					Custom	

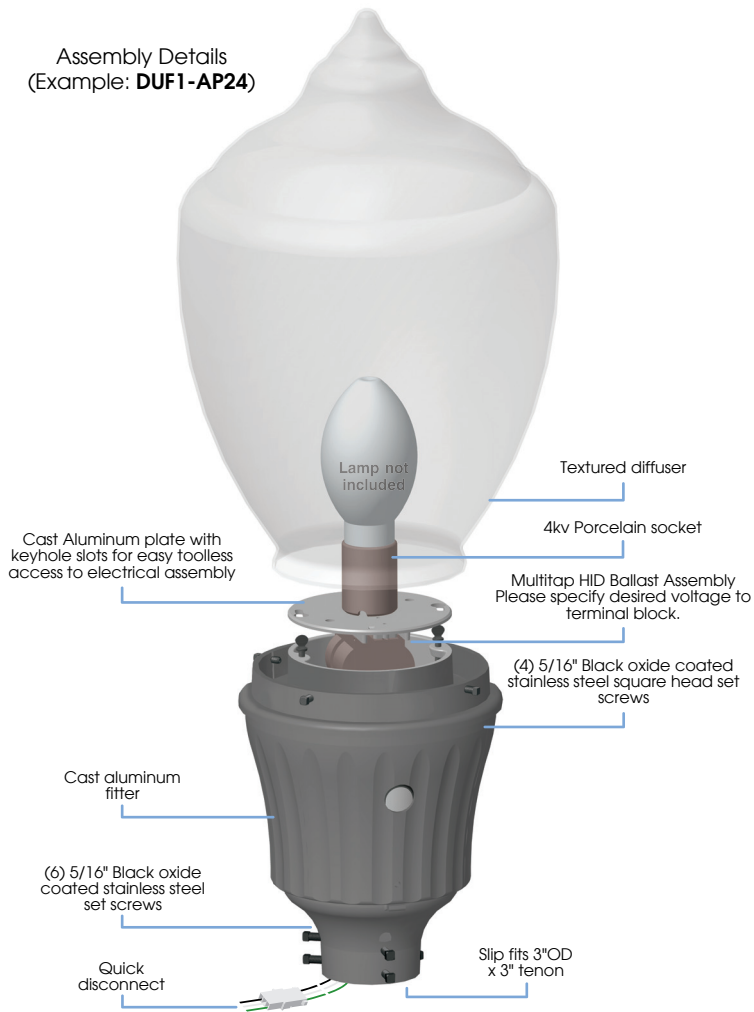
See next page for more complete ordering options



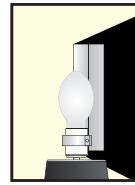
Part String

Example: D131-AP24PC-CL/100MH/120v/BLK

Assembly Details  
(Example: DUF1-AP24)



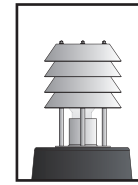
Options



**HSS**  
House Side  
Shield for use  
with Optical  
Systems



**FDR**  
Faceted  
Downlight  
Reflector

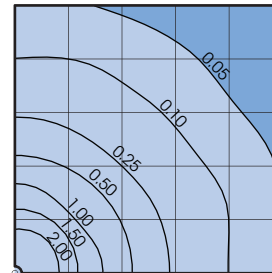


**LVR**  
4 Tier  
Anodized  
Aluminum  
Louver



**L3 or L5**  
Type III or  
Type V  
Glass Refractor

Photometry



AP24 Assembly  
175MH lamp  
14,000 Lumen  
12' Mounting Height  
Grid Spacing is 12'

Socket Types

Wattage	Socket Type
50MH, 70MH, 100MH, 150MH	Medium
175MH-PS, 250MH-PS	Mogul
50HPS, 70HPS, 100HPS	Medium
150HPS, 250HPS	Mogul
CFL 13, 26, 32, or 42	4-pin

Accessories

