

# AR18GL SERIES LED LUMINAIRE

U.5.8.18

## AR18GL Series

LED

### DESCRIPTION:

Lighting for exterior retail, commercial and hospitality environments. The AR18GL Series consists of an efficient Type III (T3) or Type V (T5) refractive borosilicate glass acorn combined with one of several styles of cast aluminum fitters. Powered by Amerlux's patented AVISTA® LED system with options for intensity, distribution and color.

### INSTALLATION:

The luminaire will mount to a 3" OD post or tenon with 5/16" black oxide coated stainless steel set screws to ensure a solid connection. The diffuser will be held to the fitter by (4) 1/4-20" black oxide coated stainless steel captive set screws.

**ETL listed, suitable for wet locations.**

### ELECTRICAL:

- Over voltage and short circuit protected driver
- Series connected 10kV/20kA surge protector
- Automatic AC incoming voltage sensing (120-277v)
- Over voltage and short circuit protection
- 0-10v dimming

### DIFFUSER CHOICES:

- Type III (T3)
- Type V (T5)

### FINISH:

Durable thermoset polyester powdercoat finish in the following:

- Satin Black (BLK)
- Classic Bronze (CLB)
- Gloss Textured Bronze (GBZ)
- Green (GRN)
- Gloss Textured Black (GTB)
- Textured Black (TBK)
- Gloss Textured Green (TGR)

### LED BOARD DRIVE CURRENT:

- 500ma (500M)
- 700ma (700M)
- 1200ma (1200M)

### CCT:

- 2,700K (27)
- 3,000K (30)
- 4,000K (40)

### L70:

50,000+

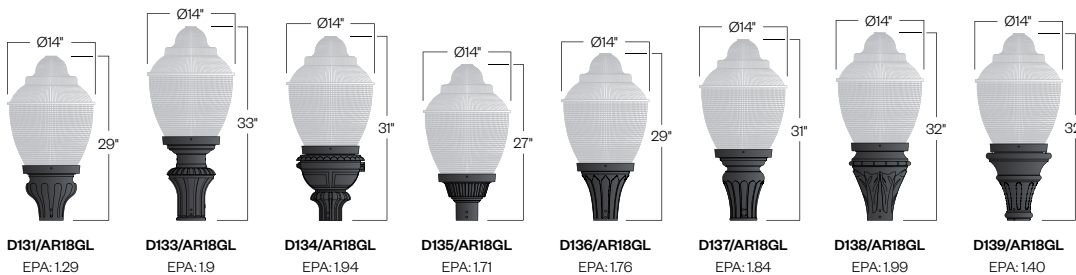
### ACCESSORIES:

- Cast aluminum Finial (CFIN)
- Finial (FIN-08)
- Finial (FIN-760)
- Dusk-to-dawn Photocell (PCL)
- Decorative Ring (R)
- Slotted Band (SB)
- Slotted Band with Rosettes (SB-FW)



PROJECT:

TYPE:



### Ordering Information:

Model	Lens Distribution	LED System	CCT	Driver Output	Finish	Accessory
D131/AR18GL	T3 T5	AVI2-SY	27 30 40	500M 700M 1200M	BLK	CFIN
D133/AR18GL					CLB	FIN-08
D134/AR18GL					GBZ	FIN-760
D135/AR18GL					GRN	PCL
D136/AR18GL					GTB	R
D137/AR18GL					TBK	SB
D138/AR18GL					TGR	
D139/AR18GL					Custom	

See next page for light engine performance



Electrostatic sensitive device.  
observe precautions for handling

**5** year limited warranty  
AMERLUX LED



Part String

Example: D131/AR18GL-T5/AVI2-SY-500M-30/BLK

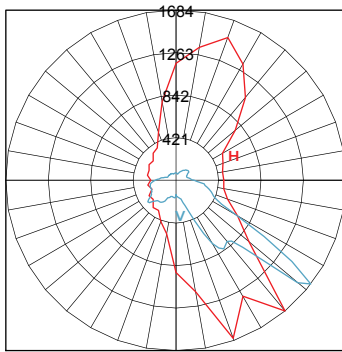
LED Options (**bold** indicates ordering code)

LED System	Driver Output	System Watts	CCT	Engine Only Lumens	Engine Only LPW
<b>AVI2-SY</b>	<b>500M</b> (500mA)	27W	<b>27</b> (2,700K)	3,030 lm	112
			<b>30</b> (3,000K)	3,120 lm	116
			<b>40</b> (4,000K)	3,420 lm	126
	<b>700M</b> (700mA)	38W	<b>27</b> (2,700K)	4,120 lm	109
			<b>30</b> (3,000K)	4,240 lm	112
			<b>40</b> (4,000K)	4,640 lm	123
	<b>1200M</b> (1200mA)	68W	<b>27</b> (2,700K)	6,110 lm	90
			<b>30</b> (3,000K)	7,260 lm	107
			<b>40</b> (4,000K)	7,530 lm	111

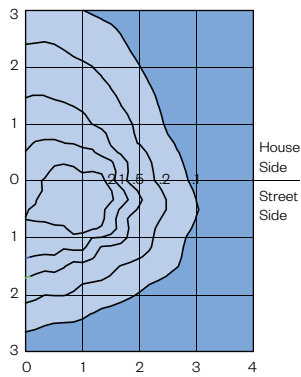
Example: D138/AO28/T3/AVI2-SY-700M-27/BLK

Photometry

AR18GL-T3-AVI2-SY-40-700M

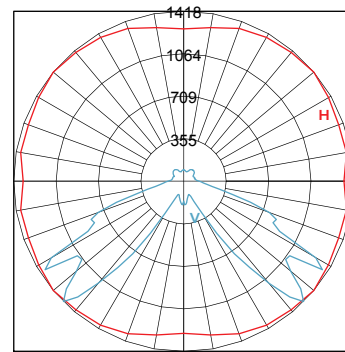


Maximum Candela = 1684  
 Located At Horizontal Angle = 310, Vertical Angle = 52.5  
 Vertical Plane Through Horizontal Angles (310 - 130) (Through Max. Cd.)  
 Horizontal Cone Through Vertical Angle (52.5) (Through Max. Cd.)

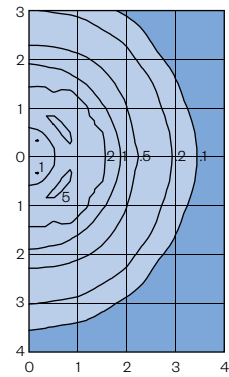


Distance In Units Of Mounting Height  
 Values Based On 10 Foot Mounting Height

AR18GL-T5-AVI2-SY-40-1200M



Maximum Candela = 1418  
 Located At Horizontal Angle = 40, Vertical Angle = 45  
 Vertical Plane Through Horizontal Angles (40 - 220) (Through Max. Cd.)  
 Horizontal Cone Through Vertical Angle (45) (Through Max. Cd.)



Distance In Units Of Mounting Height  
 Values Based On 10 Foot Mounting Height

Accessories



Shown with decorative ring and finial  
**(D138/AR18GL/R/FIN-08)**



Shown with solid roof and finial  
**D138/AR18GL/SR/CFIN**