

AR18GL SERIES LED LUMINAIRE

U.10.17.18

AR18GL Series
LED

DESCRIPTION:

Lighting for exterior retail, commercial and hospitality environments. The AR18GL Series consists of an efficient Type III (T3) or Type V (T5) refractive borosilicate glass acorn combined with one of several styles of cast aluminum fitters. Powered by Amerlux's patented AVISTA® LED system with options for intensity, distribution and color.

INSTALLATION:

The luminaire will mount to a 3" OD post or tenon with 5/16" black oxide coated stainless steel set screws to ensure a solid connection. The diffuser will be held to the fitter by (4) 1/4-20" black oxide coated stainless steel captive set screws.

ETL listed, suitable for wet locations.

ELECTRICAL:

- Over voltage and short circuit protected driver
- Series connected 10kV/20kA surge protector
- Automatic AC incoming voltage sensing (120-277v)
- Over voltage and short circuit protection
- 0-10v dimming

DIFFUSER CHOICES:

- Type III (T3)
- Type V (T5)

FINISH:

Durable thermoset polyester powdercoat finish in the following:

- Satin Black (BLK)
- Classic Bronze (CLB)
- Gloss Textured Bronze (GBZ)
- Green (GRN)
- Gloss Textured Black (GTB)
- Textured Black (TBK)
- Gloss Textured Green (TGR)

LED BOARD DRIVE CURRENT:

- 500ma (500M)
- 700ma (700M)
- 1200ma (1200M)

CCT:

- 2,700K (27)
- 3,000K (30)
- 4,000K (40)

L70:

50,000+

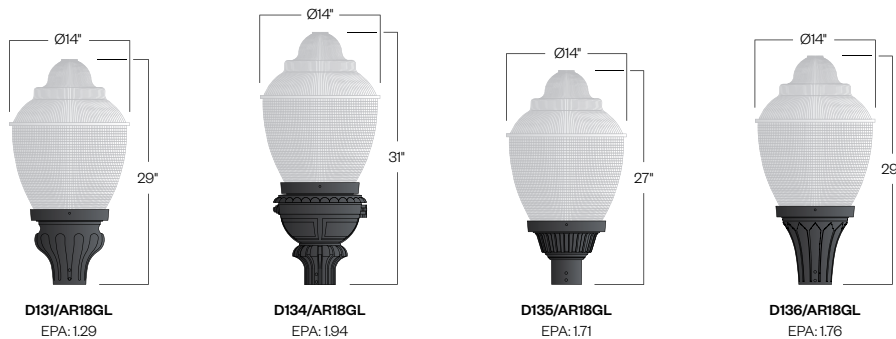
ACCESSORIES:

- Cast aluminum Finial (CFIN)
- Finial (FIN-08)
- Finial (FIN-760)
- Dusk-to-dawn button type photocell (PCL)
- 7 pin integrated receptacle (7IR)
- Controls Capable Harness (CCH)
- Decorative Ring (R)
- Solid Roof (SR)



PROJECT:

TYPE:



Ordering Information:

Model	Lens Distribution	LED System	CCT	Driver Output	Finish	Accessory
D131/AR18GL D134/AR18GL D135/AR18GL D136/AR18GL	T3 T5	AVI2-SY	27 30 40	500M 700M 1200M	BLK CLB GBZ GRN GTB TBK TGR Custom	CFIN FIN-08 FIN-760 PCL 7IR CCH R SR

See next page for light engine performance



5 year limited warranty
AMERLUX LED



Part String

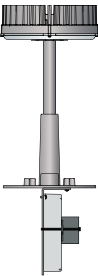
Example: D131/AR18GL-T5/AVI2-SY-500M-30/BLK

800.364.0098 • Fax: 281.997.5441 • www.amerlux.com

Amerlux reserves the right to change details that do not affect overall function and performance.



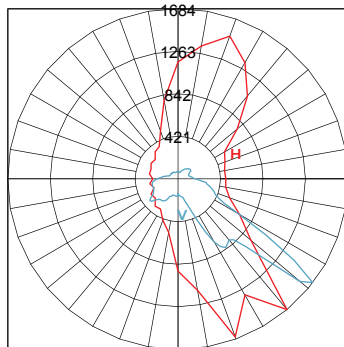
LED Options (**bold** indicates ordering code)

	LED System	Driver Output	System Watts	CCT	Engine Only Lumens	Engine Only LPW
	AVI2-SY	500M (500mA)	27W	27 (2,700K)	3,030 lm	112
				30 (3,000K)	3,120 lm	116
				40 (4,000K)	3,420 lm	126
		700M (700mA)	38W	27 (2,700K)	4,120 lm	109
				30 (3,000K)	4,240 lm	112
				40 (4,000K)	4,640 lm	123
		1200M (1200mA)	68W	27 (2,700K)	6,110 lm	90
				30 (3,000K)	7,260 lm	107
				40 (4,000K)	7,530 lm	111

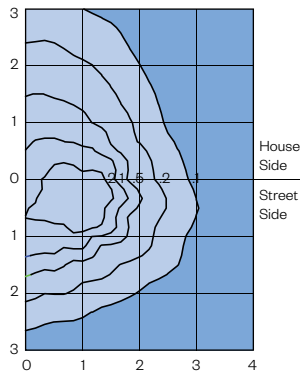
Example: **D138/AO28/T3/AVI2-SY-700M-27/BLK**

Photometry

AR18GL-T3-AVI2-SY-40-700M

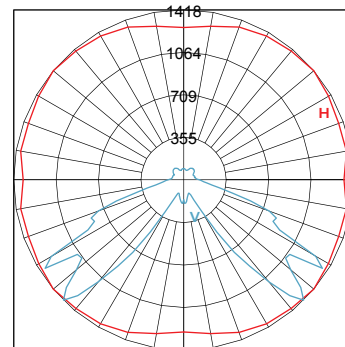


Maximum Candela = 1684
 Located At Horizontal Angle = 310, Vertical Angle = 62.5
 Vertical Plane Through Horizontal Angles (310 - 130) (Through Max. Cd.)
 Horizontal Cone Through Vertical Angle (62.5) (Through Max. Cd.)

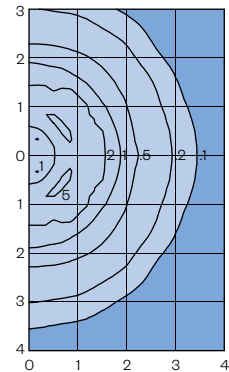


Distance In Units Of Mounting Height
 Values Based On 10 Foot Mounting Height

AR18GL-T5-AVI2-SY-40-1200M



Maximum Candela = 1418
 Located At Horizontal Angle = 40, Vertical Angle = 45
 Vertical Plane Through Horizontal Angles (40 - 220) (Through Max. Cd.)
 Horizontal Cone Through Vertical Angle (45) (Through Max. Cd.)



Distance In Units Of Mounting Height
 Values Based On 10 Foot Mounting Height

Accessories

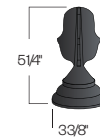


Shown with decorative ring and finial
(D138/AR18GL/R/FIN-08)

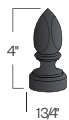


Shown with solid roof and finial
D138/AR18GL/SR/CFIN

Finial Styles



CFIN
 (Cast aluminum)



FIN-08
 Cast aluminum finial



FIN-760
 Cast aluminum finial